



Before You Begin

1»

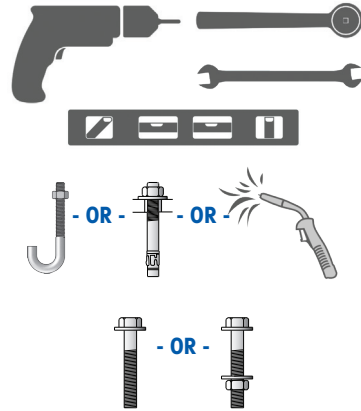


Never extend or cut the load cell's cable length. Always remove the load cell before welding.

①

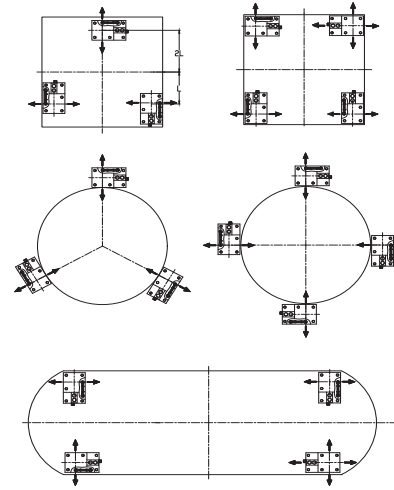


② Tools You Need:

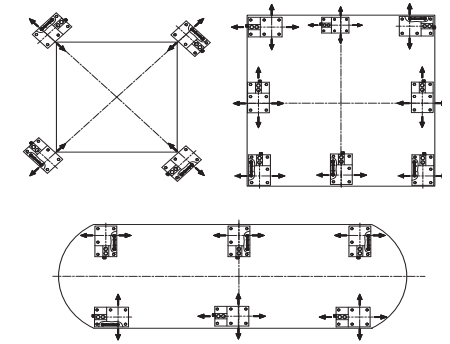


2»

Plan Your Layout



Weigh modules must be arranged according to <SWB405 MultiMount™ installation & service manual> to avoid binding the tank scale.



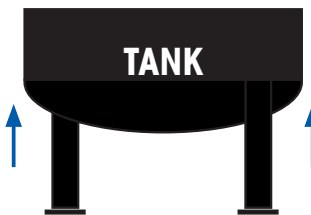
Position the Weigh Modules

3»



Block tank when in raised position.

① Lift tank



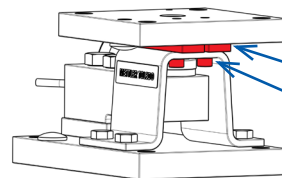
② Position weigh modules under tank legs according to your layout

Make Sure Locking Plates are Installed

4»



During installation, each weigh module must be equipped with SafeLock™ locking and centering plates.

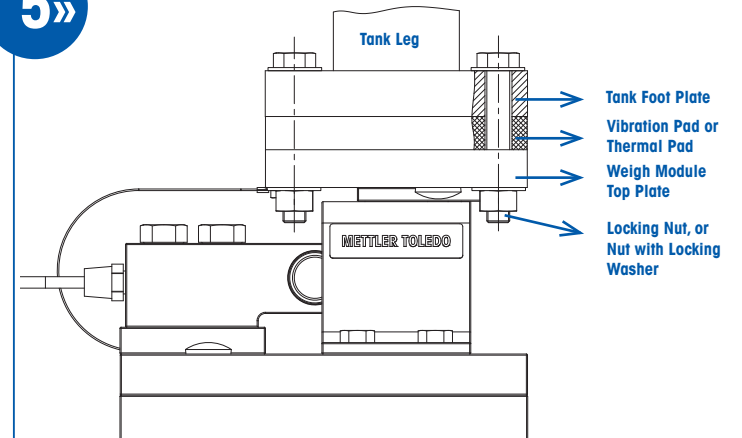


Locking and Centering Plates
Mounting Bolts

SafeLock™ Locking and Centering Plates (Sizes 2 and 3)

Mount Optional Pads

5»

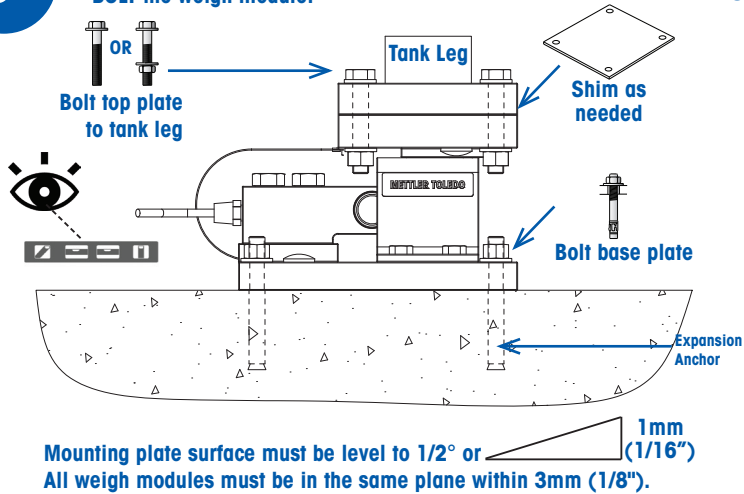




Options for Securing the Weigh Modules

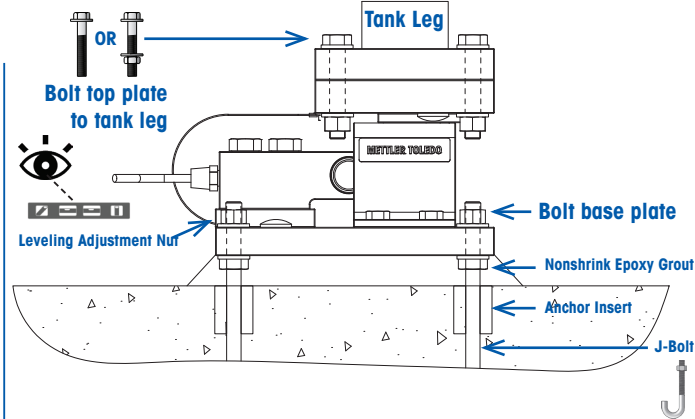
6»

BOLT the weigh module:



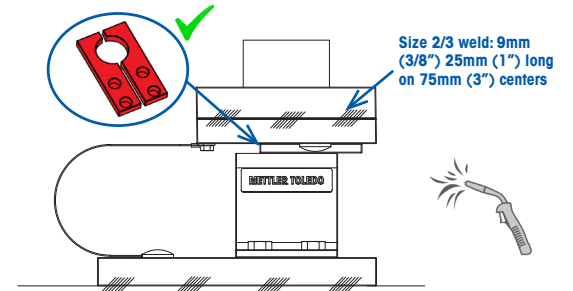
- OR -

LEVEL AND GROUT the weigh module:



- OR -

WELD the weigh module:



- Remove load cell from weigh module before welding.
- Ground wire of welder must be as close to the weld seam as possible to ensure proper grounding.



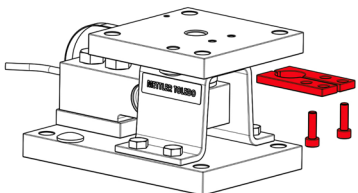
- Do not weld powder coated surfaces (carbon steel version SWB405 MultiMount™ weigh module)

7»

Activate the Weigh Modules



Please make sure the SafeLock™ plates are removed in order to activate the weigh module.

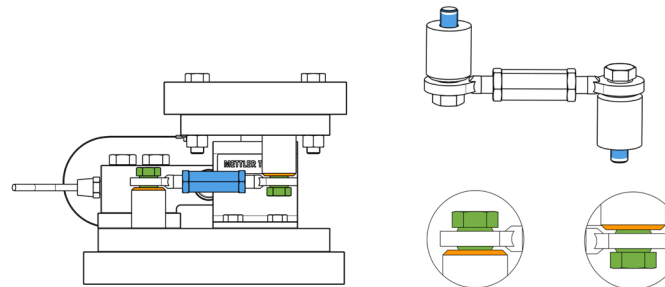


Size 2: M6, S=5mm(0.20")
Size 3: M8, S=6mm(0.24")

8»

Mounting Optional Stabilizer

1 optional stabilizer can be installed.



Please mount the stabilizer according to <SWB405 MultiMount™ Stabilizer Installation Manual>



Contact authorized METTLER TOLEDO service technician to activate the weigh modules for startup and calibration.

Installation Tips and Precautions:

- Never cut the load cell's cable or extend its length.
- Avoid moisture and dust.
- Ensure voltage stability – use a regulated power supply.
- Avoid overload and shock.
- Ensure good grounding.
- For hazardous area installations in Europe, refer to enclosed instructions (30104376 / 175389R).

Contact Information:

► www.mt.com/contact

© 2023 Mettler-Toledo GmbH
07/2023 | 30845327 | Rev A