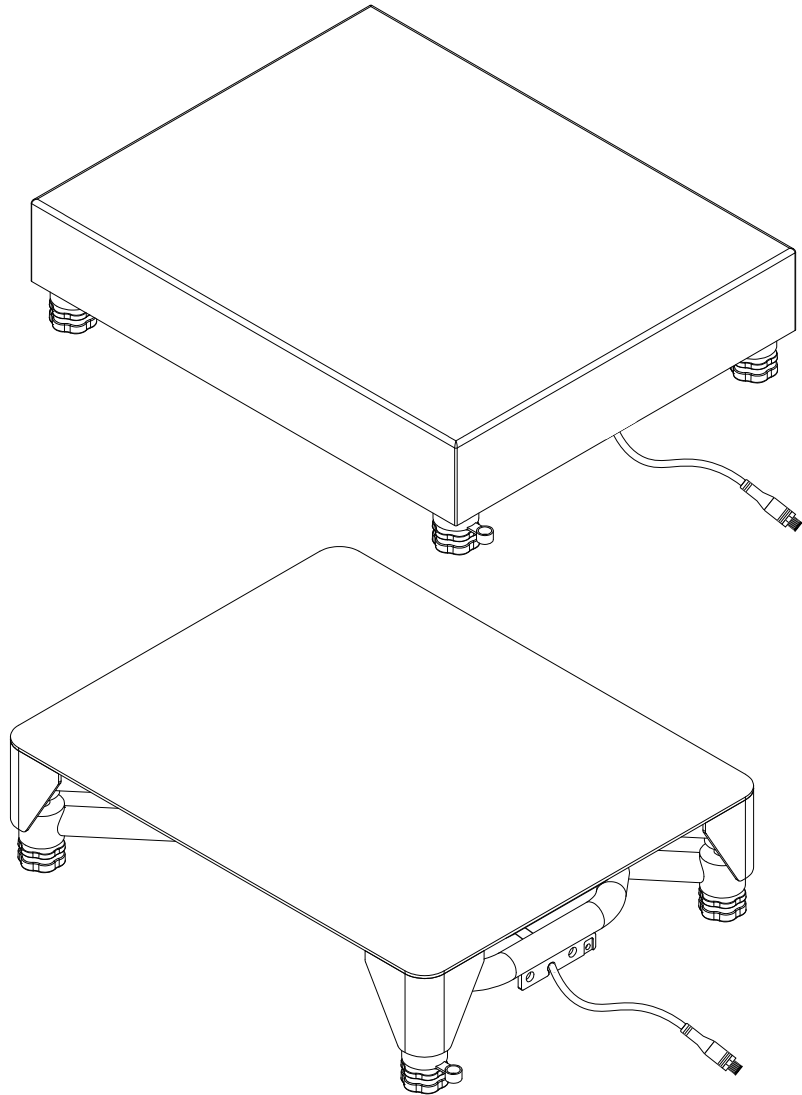


PBA639 / PBA639x / PBA639xx

English	User Manual Weighing Platform
Polski	Podręcznik użytkownika Platforma ważąca
Čeština	Návod k použití Váhová plošina
Magyar	Felhasználói útmutató Mérőplatform
Türkçe	Kullanım kılavuzu Tartım Platformu



METTLER TOLEDO

User Manual

English

Podręcznik użytkownika

Polski

Návod k použití

Čeština

Felhasználói útmutató

Magyar

Kullanım kılavuzu

Türkçe

METTLER TOLEDO Service

Congratulations on choosing the quality and precision of METTLER TOLEDO. Proper use of your new equipment according to this Manual and regular calibration and maintenance by our factory-trained service team ensures dependable and accurate operation, protecting your investment. Contact us about a service agreement tailored to your needs and budget. Further information is available at ► www.mt.com/service.

There are several important ways to ensure you maximize the performance of your investment:

- 1 **Register your product:** We invite you to register your product at www.mt.com/productregistration so we can contact you about enhancements, updates and important notifications concerning your product.
- 2 **Contact METTLER TOLEDO for service:** The value of a measurement is proportional to its accuracy – an out of specification scale can diminish quality, reduce profits and increase liability. Timely service from METTLER TOLEDO will ensure accuracy and optimize uptime and equipment life.
 - ➔ **Installation, Configuration, Integration and Training:** Our service representatives are factory-trained weighing equipment experts. We make certain that your weighing equipment is ready for production in a cost effective and timely fashion and that personnel are trained for success.
 - ➔ **Initial Calibration Documentation:** The installation environment and application requirements are unique for every industrial scale so performance must be tested and certified. Our calibration services and certificates document accuracy to ensure production quality and provide a quality system record of performance.
 - ➔ **Periodic Calibration Maintenance:** A Calibration Service Agreement provides on-going confidence in your weighing process and documentation of compliance with requirements. We offer a variety of service plans that are scheduled to meet your needs and designed to fit your budget.

Table of Contents

1	Safety Instructions	3
1.1	Intended use	3
1.2	Misuse	3
1.3	Safety Precautions	3
1.4	Specific Conditions of Use	3
2	Introduction	4
2.1	Assortment	4
2.2	About this Manual	4
2.3	Further Documents	4
3	Installation and Operation	5
3.1	Connecting the Weighing Platform to the Weighing Terminal	5
3.2	Leveling	6
3.3	Equipotential Bonding	6
3.4	Checking the Weighing Platform	6
3.5	Operating the Weighing Platform	7
3.6	Installation, Configuration, Service and Repair	7
4	Maintenance	8
4.1	Notes on Cleaning	8
4.2	Subsequent Treatment	8
4.3	Disposal	8
5	Repair	9
6	Technical Data and Operating Limits	10
6.1	Maximum Verification Scale Interval	10
6.2	Maximum Permissible Load	10
6.3	Technical Data of Load Cell	11
6.3.1	Ex Approval	11
6.3.2	Load Cell Compliance Standard	11
6.4	Dimensions	13
6.5	Information about Capacity Preload	14
6.5.1	Preload Table in Kilogram	15
6.5.2	Preload Table in Pound	17
6.6	Accessories	19
7	Mounting Possibilities	20
8	Appendix	21
8.1	Label	21
8.2	Control Drawing	22
8.3	Installation Drawing	23

1 Safety Instructions

1.1 Intended use

PBA639(x/xx) weighing platforms are part of a modular weighing system consisting of a METTLER TOLEDO weighing terminal as indicator and at least one weighing platform.

- Use the weighing platform only for weighing in accordance with this manual.
- The weighing platform is intended for indoor use only.
- Only the PBA639x/xx weighing platform is suitable for use in hazardous environment as specified below.
- Any other type of use is considered as not intended.

Legal metrology

- For use in legal metrology, only use approved weighing platforms.
- When using in legal metrology, the operating company is responsible for observing all national weights & measurements requirements.
- Please contact the METTLER TOLEDO Service organization for questions related to the use in legal for trade applications.

1.2 Misuse

- Do not use the weighing terminal other than for weighing operations.
- Do not use the weighing platform in another environment than specified in the --- MISSING LINK ---.
- Do not modify the weighing platform.
- Do not use the weighing terminal beyond the limits of the technical specifications.
- Do not use the weighing platform for storing goods.
- Avoid falling goods on the weighing platform.

1.3 Safety Precautions

- Only personnel trained and qualified by METTLER TOLEDO may install and maintain the weighing platform.
- Be careful when transporting or lifting heavy devices.
- Always disconnect the weighing platform from the power source before installing, servicing, cleaning or performing maintenance.
- The connection cable may not be disconnected from the weighing terminal while energized.
- Make sure the weighing platform has reached room temperature before switching on the power supply.
- The explosion-protected weighing platforms PBA639x/xx are approved for operation in the following hazardous areas:
 - ATEX/IECEx Category 2, Category 3, gas/dust (Zone 1/21, Zone 2/22)
 - cFMus, Class I,II,III, Div. 1, Div. 2
- There is an increased risk of injury and damage when the weighing platforms are used in hazardous areas! Special care must be taken when working in such areas.
- In case of the PBA639x/xx weighing platform, only use cable glands that are suitable and approved for hazardous areas for inserting the weighing cell cable into the weighing terminal.
- Explosion-protected weighing platforms may only be used in hazardous areas in conjunction with weighing terminals with the appropriate approval and interface specification.

1.4 Specific Conditions of Use

- In an explosive atmosphere caused by air/dust moisture, the loose ends of the cable shall be connected outside the hazardous or in a suitable enclosure with a degree of protection of at least IP6X in accordance with IEC/EN 60529.

2 Introduction

2.1 Assortment

This manual focuses on the product series PBA639(x/xx).

The PBA639(x/xx) series offer a variety of weighing platforms to fit your requirements. It is approvable and offers various sizes and capacities

Type	Load Plate Material	Scale Frame Material	Load Cell Design	Environment IP Protection	Hazardous Approval
PBA639	Stainless steel	Stainless steel	Stainless steel, hermetically sealed	Dry, wet, IP68/IP69K	-
PBA639x	AISI304, optional /	AISI304			Zone 1/21, Div 1
PBA639xx	Stainless steel AISI316L, optional / Stainless steel AISI316L, open platter, optional				Zone 2/22, Div 2

2.2 About this Manual



This manual contains all information for the operator of the product.

- Read this manual carefully before use.
- Keep this manual for future reference.
- Pass this manual to any future owner or user of the product.

2.3 Further Documents

In addition to this manual you can download the following documents from ► www.mt.com:

- Brochure
- Installation information (for trained personnel under the control of the operating company)
- Type approval documents

Certificate Download

US, Canada, ATEX, UKEX and IECEx certificates can be downloaded from ► <https://www.mt.com/us/en/home/search/compliance.html/compliance/>.

3 Installation and Operation

3.1 Connecting the Weighing Platform to the Weighing Terminal

The PBA639(x/xx) weighing platforms are designed for use with analog METTLER TOLEDO weighing terminals.

- 1 Insert the weighing platform cable through the cable gland into the weighing terminal.
- 2 Connect the weighing platform cable to the terminal strip of the weighing terminal according to the following table.

Signal	Wire Color	Connector
SIG+	White	
SIG-	Red	
EXC+	Green	
EXC-	Black	
SEN+	Yellow	
SEN-	Blue	



WARNING

The cable shield must be grounded.

Safety Precautions for Connections

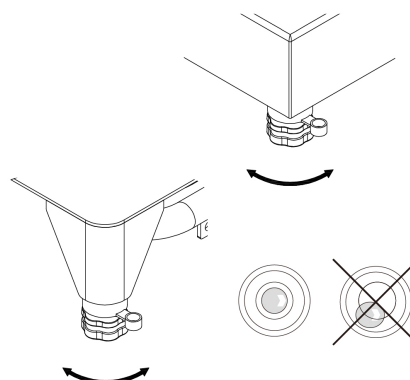
- When connecting the weighing platform in hazardous area, strictly follow the requirements as stated in control drawing available in [Appendix ▶ Page 21].
- Please check the special conditions for safe use in the drawings and the certificates in [Appendix ▶ Page 21].
- The cable shield is connected to the load cell spring element (the body of the load cell). Please consider the appropriate connection between load cell and terminal (or junction box) based on the installation scenario.
- The resistance between all safety ground connections and the system grounding electrode must not exceed 1 ohm.
- Installation shall be in accordance with relevant electrical installation standards.
- Not following these instructions will jeopardize the explosion safety.

3.2 Leveling

Only a weighing platform which is aligned exactly horizontally supplies exact weighing results. The weighing platform has to be leveled during the initial installation and whenever its location is changed.

- 1 Turn the adjustable feet of the weighing platform until the air bubble of the spirit level is positioned in the inner circle.
- 2 Tighten the lock nuts of the adjustable feet.

👉 Scan the QR code to watch the video

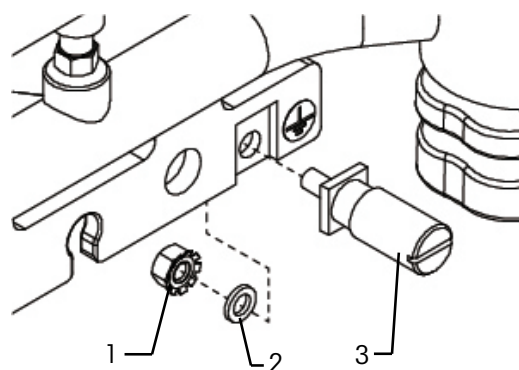


3.3 Equipotential Bonding

The equipotential bonding for the PBA639x/xx weighing platforms is mounted in the factory. The wiring must be installed by a professional electrician on customer site. METTLER TOLEDO Service only has a monitoring and consulting function here. Connect the equipotential bonding (PA) of all devices (weighing platform and weighing terminal) in accordance with the country-specific regulations and standards. In the process, make sure that all device housings are connected to the same potential via the PA terminal.

Note

The equipment is protected against electric shock acc. IEC60950, class II.



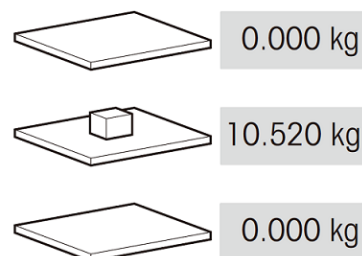
- 1 - Hexagonal lock nut, M4 KEPS
- 2 - Washer
- 3 - Equipotential bonding terminal, torque 3.5 Nm

Order number of the equipotential bonding kit 72237321

3.4 Checking the Weighing Platform

Function Check

- 1 Make sure that the weighing platform is connected to a weighing terminal and that the weighing terminal is switched on.
- 2 Make sure that the weighing platform is unloaded and the display of the weighing terminal shows 0.
- 3 Load the weighing platform. The weighing terminal must show a value different from 0.
- 4 Unload the weighing platform. The weighing terminal must return to 0.



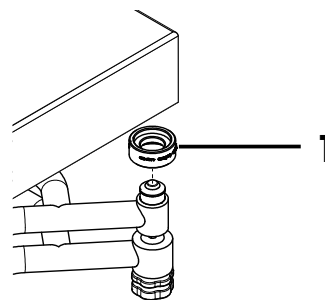
Verification Test

For a verification test refer to the user manual of the connected weighing terminal. If the verification seal is broken, verification is no longer valid.

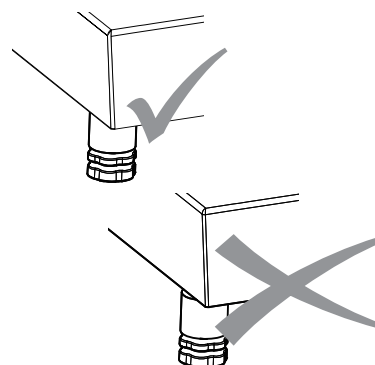
3.5 Operating the Weighing Platform

For best weighing results, observe the following:

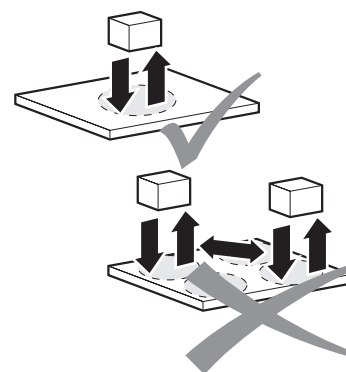
- If the weighing platform is delivered with transportation protection pads (1) under the load plate, remove the transportation protection pads before putting it into use.



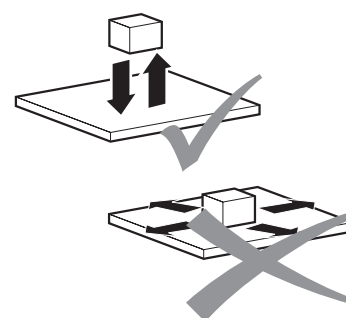
- Ensure the load plate is correctly placed.



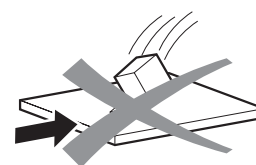
- To achieve best weighing results place the weighing sample always on the same position on the weighing platform.



- Avoid abrasive and wear processes.



- Avoid falling loads, shocks and lateral impacts.



3.6 Installation, Configuration, Service and Repair

For installation, configuration, service and repair of the weighing platforms call the METTLER TOLEDO Service.

4 Maintenance

4.1 Notes on Cleaning

Note

Damage to the weighing platform due to incorrect use of cleaning agents.

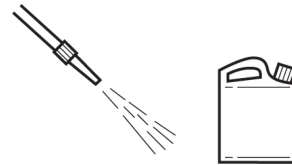
- Only use disinfectants and cleaning agents in accordance with their manufacturer's instructions.
 - Do not use highly acidic, highly alkaline or highly chlorinated cleaning agents. Avoid substances with a high or low pH value since increased danger of corrosion otherwise exists.
 - Be particularly careful when cleaning the load cell.
-

Cleaning Procedure

- Remove dirt and deposits at regular intervals from the outside and inside of the weighing platform.
 - ➔ The procedure depends both on the type of surface and on the environmental conditions prevailing at the installation location.

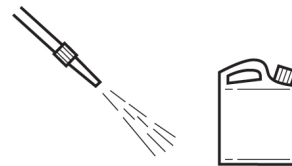
Cleaning in a wet environment (stainless steel versions)

- Use a water jet up to 80 °C / 176 °F and max. 80 bars, minimum distance 40 cm / 16".
- Use household cleaning agents.



Cleaning in a corrosive environment (stainless steel versions)

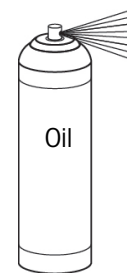
- Use a water jet.
 - Inner cleaning**, load cell, load plate opened: up to 60 °C / 140 °F and max. 2 bars, minimum distance 40 cm / 16".
 - Outer cleaning**, load plate closed: to 80 °C / 176 °F and max. 80 bars, minimum distance 40 cm / 16".
- Remove corrosive substances at regular intervals.
- Only use disinfectants and cleaning agents in accordance with their manufacturer's specifications and instructions



4.2 Subsequent Treatment

In order to protect the scale, carry out the following subsequent treatment:

- Rinse the scale with clear water and remove cleaning agent completely.
- Dry off the scale with a lint-free cloth.
- With stainless steel scales, treat the inside and outside with an oil suitable for foodstuffs.



4.3 Disposal

In conformance with the European Directive 2012/19/EU on Waste Electrical and Electronic Equipment (WEEE) this device may not be disposed of in domestic waste. This also applies to countries outside the EU, per their specific requirements.

Please dispose of this product in accordance with local regulations at the collecting point specified for electrical and electronic equipment. If you have any questions, please contact the responsible authority or the distributor from which you purchased this device. Should this device be passed on to other parties, the content of this regulation must also be related.



5 Repair

This equipment is certified for use in hazardous locations, therefore no modifications are allowed. Repairs must only be performed by personnel specifically trained for repairs of this equipment.

6 Technical Data and Operating Limits

6.1 Maximum Verification Scale Interval

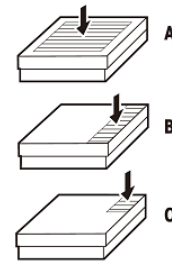
Max. verification scale interval [e] / OIML	Capacity							
	3 kg	6 kg	15 kg	30 kg	60 kg	150 kg	300 kg	600 kg
2 x 3000e MR	-	3 / 0.001	6 / 0.002	15 / 0.005	30 / 0.01	60 / 0.02	150 / 0.05	300 / 0.1
Max / e [kg]	-	6 / 0.002	15 / 0.005	30 / 0.01	60 / 0.02	150 / 0.05	300 / 0.1	600 / 0.2

Max. verification scale interval [d] / NTEP	Capacity							
	-	10 lb	25 lb	50 lb	100 lb	250 lb	500 lb	1000 lb
1 x 5000d Max / d [lb]	-	10 / 0.002	25 / 0.005	50 / 0.01	100 / 0.02	250 / 0.05	500 / 0.1	1000 / 0.2

6.2 Maximum Permissible Load

All weighing platforms are equipped with an overload protection. With the robust scale design you can occasionally exceed the rated capacity of the platform without damage. The maximum static safe load must never be exceeded.

- Observe the following operation limits.



Model	A - Central Load	B - Side Load	C - Corner Load
PBA639(x/xx)-QA	50 kg / 110 lb	35 kg / 77 lb	20 kg / 44 lb
PBA639(x/xx)-A	50 kg / 110 lb	35 kg / 77 lb	20 kg / 44 lb
PBA639(x/xx)-QB	120 kg / 265 lb	80 kg / 176 lb	40 kg / 88 lb
PBA639(x/xx)-BB	120 kg / 265 lb	80 kg / 176 lb	40 kg / 88 lb
PBA639(x/xx)-B	220 kg / 485 lb	150 kg / 331 lb	80 kg / 176 lb
PBA639(x/xx)-BC	450 kg / 992 lb	350 kg / 772 lb	180 kg / 397 lb
PBA639(x/xx)-CC	750 kg / 1653 lb	400 kg / 882 lb	200 kg / 440 lb



WARNING

Avoid falling loads, shock loads as well as impacts from the side.

6.3 Technical Data of Load Cell

Rated Output	mV/V	1.8 ± 0.2
Input Resistance	Ω	384 ± 15
Output Resistance	Ω	350 ± 4
Recommended Voltage	V (DC / AC)	5 - 15
Max. Excited Voltage	V (DC / AC)	20
Cable Sheath	-	PVC
IP Rating	-	IP68/IP69K

6.3.1 Ex Approval

This section covers only the Ex-relevant aspects of the product.

The Load Cell SLP84x(x=6,7,8) has been granted with:

ATEX Certificate	FM21ATEX0003X, FM21ATEX0025X
UK Certificate	FM21UKEX0079X, FM21UKEX0080X
IECEX Certificate	IECEX FMG21.0003X
US Certificate	FM21US0005X
Canadian Certificate	FM21CA0002X

The certificates listed above and the related installation drawings please refer to [Appendix ▶ Page 21].

6.3.2 Load Cell Compliance Standard

US Standards

Title	Number	Issue Date
Electrical Equipment for Use in Hazardous (Classified) Locations – General Requirements	FM Class 3600	2018
Intrinsically Safe Apparatus and Associated Apparatus for Use in Class I, II, and III, Division 1, Hazardous (Classified) Locations	FM Class 3610	2021
Nonincendive Electrical Equipment for Use in Class I and II, Division 2, and Class III, Divisions 1 and 2, Hazardous (Classified) Locations	FM Class 3611	2021
Electrical Equipment for Measurement, Control and Laboratory Use	FM Class 3810	2021
Explosive atmospheres - Part 0: Equipment - General requirements	ANSI/UL 60079-0	2019
Explosive atmospheres – Part 11: Equipment protection by intrinsic safety "i"	ANSI/ISA 60079-11	2014
Nonincendive electrical equipment for use in Class I and II, Division 2 and Class III, Divisions 1 and 2 hazardous (classified) locations	ANSI/UL 121201	2017
Safety Requirements for Electrical Equipment for Measurement, Control, and Laboratory Use – Part 1: General Requirements	ANSI/UL 61010-1	2012
Degrees of Protection Provided by Enclosures (IP Code)	ANSI/IEC 60529	2020

Canadian Standards

Title	Number	Issue Date
Non-Incendive Electrical Equipment for use in Class I, Division 2 Hazardous Locations	CSA C22.2 No. 213	2017
Explosive atmospheres - Part 0: Equipment - General requirements	CAN/CSA-C22.2 No. 60079-0	2019
Explosive atmospheres - Part 11: Equipment protection by intrinsic safety "i"	CAN/CSA-C22.2 No. 60079-11	2014
Explosive atmospheres - Part 7: Equipment protection by increased safety "e"	CAN/CSA-C22.2 No. 60079-7	2018
Explosive atmospheres - Part 31: Equipment dust ignition protection by enclosure "t"	CAN/CSA-C22.2 No. 60079-31	2015

Title	Number	Issue Date
Safety Requirements for Electrical Equipment for Measurement, Control, and Laboratory Use – Part 1: General Requirements	CSA C22.2 No. 61010-1	2012
Degrees of Protection Provided by Enclosures (IP Code)	CSA C22.2 No. 60529	2016

IECEx Standards

Title	Number	Issue Date
Explosive atmospheres - Part 0: Equipment - General requirements	IEC 60079-0	2017
Explosive atmospheres - Part 11: Equipment protection by intrinsic safety "i"	IEC 60079-11	2011
Explosive atmospheres - Part 7: Equipment protection by increased safety "e"	IEC 60079-7	2017
Explosive atmospheres - Part 31: Equipment dust ignition protection by enclosure "t"	IEC 60079-31	2013
Degrees of Protection Provided by Enclosures (IP Code)	IEC 60529	2013

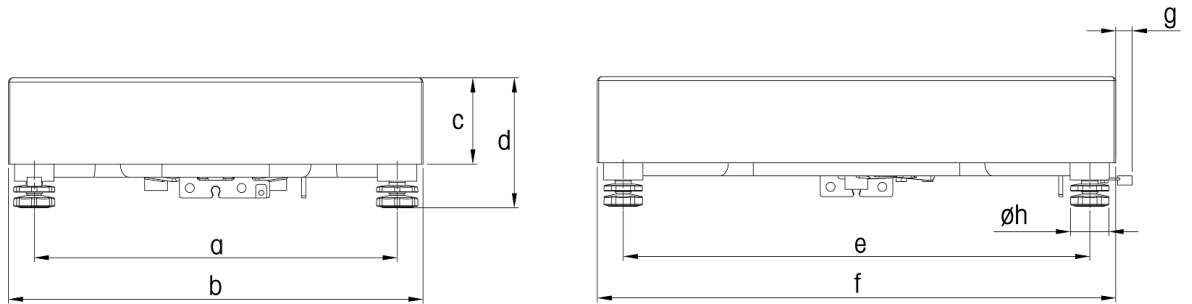
ATEX Standards

Title	Number	Issue Date
Explosive atmospheres - Part 0: Equipment - General requirements	EN IEC 60079-0	2018
Explosive atmospheres - Part 11: Equipment protection by intrinsic safety "i"	EN 60079-11	2012
Explosive atmospheres - Part 7: Equipment protection by increased safety "e"	EN 60079-7	2015 +A1:2018
Explosive atmospheres - Part 31: Equipment dust ignition protection by enclosure "t"	EN 60079-31	2014
Degrees of Protection Provided by Enclosures (IP Code)	EN 60529	1991 + A1:2000 + A2:2013

UKEX Standards

Title	Number	Issue Date
Explosive atmospheres - Part 0: Equipment - General requirements	EN IEC 60079-0	2018
Explosive atmospheres - Part 11: Equipment protection by intrinsic safety "i"	EN 60079-11	2012
Explosive atmospheres - Part 7: Equipment protection by increased safety "e"	EN 60079-7	2015 +A1:2018
Explosive atmospheres - Part 31: Equipment dust ignition protection by enclosure "t"	EN 60079-31	2014
Degrees of Protection Provided by Enclosures (IP Code)	EN 60529	1991 + A1:2000 + A2:2013

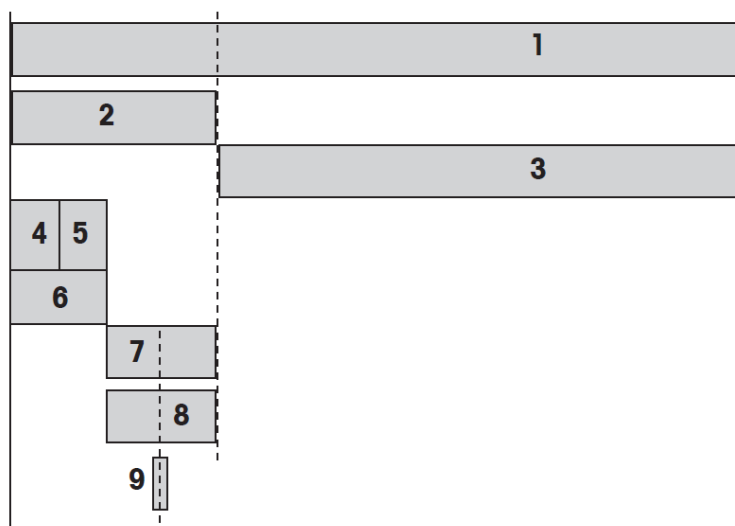
6.4 Dimensions



Dimensions		a	b	c	d *	e	f	g	h
PBA639(x/xx)-QA	mm	178	228	70	110	178	228	21	40
	inch	7.01	8.98	2.76	4.33	7.01	8.98	0.83	1.57
PBA639(x/xx)-A	mm	190	240	70	110	250	300	21	40
	inch	7.48	9.45	2.76	4.33	9.84	11.81	0.83	1.57
PBA639(x/xx)-QB	mm	255	305	70	110	255	305	21	40
	inch	10.04	12.01	2.76	4.33	10.04	12.01	0.83	1.57
PBA639(x/xx)-BB	mm	250	300	70	110	350	400	21	40
	inch	9.84	11.81	2.76	4.33	13.78	15.75	0.83	1.57
PBA639(x/xx)-B	mm	350	400	83	126	450	500	21	40
	inch	13.78	15.75	3.27	4.96	17.72	19.69	0.83	1.57
PBA639(x/xx)-BC	mm	450	500	90	134	600	650	21	40
	inch	17.72	19.69	3.54	5.28	23.62	25.59	0.83	1.57
PBA639(x/xx)-CC	mm	550	600	90	134	750	800	21	40
	inch	21.65	23.62	3.54	5.28	29.53	31.50	0.83	1.57
PBA639(x/xx)-CC600	mm	550	600	94	140.5	750	800	21	40
	inch	21.65	23.62	3.70	5.53	29.53	31.50	0.83	1.57

* : d= minimum platform height. With the adjustable scale feet, the platform height can increase by 5 mm / 0.20 inch at maximum.

6.5 Information about Capacity Preload



1	Maximum load range of the load cell (E_{max})
2	Maximum preload = Maximum load range 1 – Maximum load 3
3	Maximum load = Maximum load range 1 – Maximum preload 2
4	Preload top section
5	Preload weighing pan
6	Preload ex works = Preload top section 4 + Preload weighing pan 5
7	Mechanical preload reserve = Maximum preload 2 – Preload ex works 6
8	The zero-set range (switching on) can be set. The zero-set range must lie within the maximum preload. The zero-set range may amount to a max. of 18 % of the maximum load.
9	Zero-set range ± 2 % of the maximum load

6.5.1 Preload Table in Kilogram

PBA639(x/xx) with Standard Platter (304 / 316L)

Type	Dimensions [mm]	Max. load (3)	Preload top section (4)	Preload weighing pan (5)	Preload ex works (6)	Mech. preload reserve (7)	Zero set range (8)	Max. load range (1)
PBA639(x/xx)-QA3	228x228	3	0.71	1.90	2.61	5.39	0.54	11
PBA639(x/xx)-QA6	228x228	6	0.71	1.90	2.61	2.39	1.08	11
PBA639(x/xx)-A3	240x300	3	0.80	2.40	3.20	4.80	0.54	11
PBA639(x/xx)-A6	240x300	6	0.80	2.40	3.20	1.80	1.08	11
PBA639(x/xx)-A15	240x300	15	0.80	2.40	3.20	3.80	2.70	22
PBA639(x/xx)-QB15	305x305	15	1.42	2.80	4.22	2.78	2.70	22
PBA639(x/xx)-QB30	305x305	30	1.42	2.80	4.22	25.78	5.40	60
PBA639(x/xx)-QB60	305x305	60	1.42	2.80	4.22	35.78	10.80	100
PBA639(x/xx)-BB30	300x400	30	2.00	3.50	5.50	24.50	5.40	60
PBA639(x/xx)-BB60	300x400	60	2.00	3.50	5.50	34.50	10.80	100
PBA639(x/xx)-B30	400x500	30	3.99	5.50	9.49	20.51	5.40	60
PBA639(x/xx)-B60	400x500	60	3.99	5.50	9.49	30.51	10.80	100
PBA639(x/xx)-B150	400x500	150	3.99	5.50	9.49	40.51	27.00	200
PBA639(x/xx)-BC60	500x650	60	6.93	8.40	15.33	24.67	10.80	100
PBA639(x/xx)-BC150	500x650	150	6.93	8.40	15.33	84.67	27.00	250
PBA639(x/xx)-BC300	500x650	300	6.93	8.40	15.33	184.67	54.00	500
PBA639(x/xx)-CC60	600x800	60	10.53	11.50	22.03	17.97	10.80	100
PBA639(x/xx)-CC150	600x800	150	10.53	11.50	22.03	77.97	27.00	250
PBA639(x/xx)-CC300	600x800	300	10.53	11.50	22.03	177.97	54.00	500
PBA639(x/xx)-CC600	600x800	600	10.53	14.70	25.23	124.77	108.00	750

PBA639(x/xx) with Open Platter (304 / 316L)

Type	Dimensions [mm]	Max. load (3)	Preload top section (4)	Preload weighing pan (5)	Preload ex works (6)	Mech. preload reserve (7)	Zero set range (8)	Max. load range (1)
PBA639(x/xx)-QA3	228x228	3	0.71	1.20	1.91	6.09	0.54	11
PBA639(x/xx)-QA6	228x228	6	0.71	1.20	1.91	3.09	1.08	11
PBA639(x/xx)-A3	240x300	3	0.80	1.50	2.30	5.70	0.54	11
PBA639(x/xx)-A6	240x300	6	0.80	1.50	2.30	2.70	1.08	11
PBA639(x/xx)-A15	240x300	15	0.80	1.50	2.30	4.70	2.70	22
PBA639(x/xx)-QB15	305x305	15	1.42	1.80	3.22	3.78	2.70	22
PBA639(x/xx)-QB30	305x305	30	1.42	1.80	3.22	26.78	5.40	60
PBA639(x/xx)-QB60	305x305	60	1.42	1.80	3.22	36.78	10.80	100
PBA639(x/xx)-BB30	300x400	30	2.00	2.30	4.30	25.70	5.40	60
PBA639(x/xx)-BB60	300x400	60	2.00	2.30	4.30	35.70	10.80	100
PBA639(x/xx)-B30	400x500	30	3.99	5.60	9.59	20.41	5.40	60
PBA639(x/xx)-B60	400x500	60	3.99	5.60	9.59	30.41	10.80	100
PBA639(x/xx)-B150	400x500	150	3.99	5.60	9.59	40.41	27.00	200

PBA639(x/xx) with No Platter

Type	Dimensions [mm]	Max. load (3)	Preload top section (4)	Preload weighing pan (5)	Preload ex works (6)	Mech. preload reserve (7)	Zero set range (8)	Max. load range (1)
PBA639(x/xx)-QA3	228x228	3	0.71	0	0.71	7.286	0.54	11
PBA639(x/xx)-QA6	228x228	6	0.71	0	0.71	4.29	1.08	11
PBA639(x/xx)-A3	240x300	3	0.80	0	0.80	7.20	0.54	11
PBA639(x/xx)-A6	240x300	6	0.80	0	0.80	4.20	1.08	11
PBA639(x/xx)-A15	240x300	15	0.80	0	0.80	6.20	2.70	22
PBA639(x/xx)-QB15	305x305	15	1.42	0	1.42	5.58	2.70	22
PBA639(x/xx)-QB30	305x305	30	1.42	0	1.42	28.58	5.40	60
PBA639(x/xx)-QB60	305x305	60	1.42	0	1.42	38.58	10.80	100
PBA639(x/xx)-BB30	300x400	30	2.00	0	2.00	28.00	5.40	60
PBA639(x/xx)-BB60	300x400	60	2.00	0	2.00	38.00	10.80	100
PBA639(x/xx)-B30	400x500	30	3.99	0	3.99	26.01	5.40	60
PBA639(x/xx)-B60	400x500	60	3.99	0	3.99	36.01	10.80	100
PBA639(x/xx)-B150	400x500	150	3.99	0	3.99	46.01	27.00	200
PBA639(x/xx)-BC60	500x650	60	6.93	0	6.93	33.07	10.80	100
PBA639(x/xx)-BC150	500x650	150	6.93	0	6.93	93.07	27.00	250
PBA639(x/xx)-BC300	500x650	300	6.93	0	6.93	193.07	54.00	500
PBA639(x/xx)-CC60	600x800	60	10.53	0	10.53	29.47	10.80	100
PBA639(x/xx)-CC150	600x800	150	10.53	0	10.53	89.47	27.00	250
PBA639(x/xx)-CC300	600x800	300	10.53	0	10.53	189.47	54.00	500
PBA639(x/xx)-CC600	600x800	600	10.53	0	10.53	139.47	108.00	750

6.5.2 Preload Table in Pound

PBA639(x/xx) with Standard Platter (304 / 316L)

Type	Dimensions [inch]	Max. load (3)	Preload top section (4)	Preload weighing pan (5)	Preload ex works (6)	Mech. preload reserve (7)	Zero set range (8)	Max. load range (1)
PBA639(x/xx)-QA6	9x9	10	1.57	4.19	5.76	8.49	1.8	24
PBA639(x/xx)-A6	9.5x11.8	10	1.75	5.29	7.05	7.20	1.8	24
PBA639(x/xx)-A15	9.5x11.8	25	1.75	5.29	7.05	16.46	4.5	49
PBA639(x/xx)-QB15	12x12	25	3.13	6.17	9.30	14.20	4.5	49
PBA639(x/xx)-QB30	12x12	50	3.13	6.17	9.30	72.98	9.0	132
PBA639(x/xx)-QB60	12x12	100	3.13	6.17	9.30	111.16	18.0	220
PBA639(x/xx)-BB30	11.8x15.7	50	4.41	7.72	12.12	70.15	9.0	132
PBA639(x/xx)-BB60	11.8x15.7	100	4.41	7.72	12.12	108.34	18.0	220
PBA639(x/xx)-B30	15.7x19.7	50	8.79	12.13	20.92	61.36	9.0	132
PBA639(x/xx)-B60	15.7x19.7	100	8.79	12.13	20.92	99.55	18.0	220
PBA639(x/xx)-B150	15.7x19.7	250	8.79	12.13	20.92	170.01	45.0	441
PBA639(x/xx)-BC60	19.7x25.6	100	15.27	18.52	33.79	86.67	18.0	220
PBA639(x/xx)-BC150	19.7x25.6	250	15.27	18.52	33.79	267.37	45.0	551
PBA639(x/xx)-BC300	19.7x25.6	500	15.27	18.52	33.79	568.52	90.0	1102
PBA639(x/xx)-CC60	23.6x29.5	100	23.21	25.35	48.56	71.90	18.0	220
PBA639(x/xx)-CC150	23.6x29.5	250	23.21	25.35	48.56	252.60	45.0	551
PBA639(x/xx)-CC300	23.6x29.5	500	23.21	25.35	48.56	553.75	90.0	1102
PBA639(x/xx)-CC600	23.6x29.5	1000	23.21	32.41	55.61	597.85	180.0	1653

PBA639(x/xx) with Open Platter (304 / 316L)

Type	Dimensions [inch]	Max. load (3)	Preload top section (4)	Preload weighing pan (5)	Preload ex works (6)	Mech. preload reserve (7)	Zero set range (8)	Max. load range (1)
PBA639(x/xx)-QA6	9x9	10	1.57	2.65	4.22	10.03	1.8	24
PBA639(x/xx)-A6	9.5x11.8	10	1.75	3.31	5.06	9.19	1.8	24
PBA639(x/xx)-A15	9.5x11.8	25	1.75	3.31	5.06	18.44	4.5	49
PBA639(x/xx)-QB15	12x12	25	3.13	3.97	7.10	16.41	4.5	49
PBA639(x/xx)-QB30	12x12	50	3.13	3.97	7.10	75.18	9.0	132
PBA639(x/xx)-QB60	12x12	100	3.13	3.97	7.10	113.37	18.0	220
PBA639(x/xx)-BB30	11.8x15.7	50	4.41	5.07	9.48	72.80	9.0	132
PBA639(x/xx)-BB60	11.8x15.7	100	4.41	5.07	9.48	110.98	18.0	220
PBA639(x/xx)-B30	15.7x19.7	50	8.79	12.35	21.14	61.14	9.0	132
PBA639(x/xx)-B60	15.7x19.7	100	8.79	12.35	21.14	99.33	18.0	220
PBA639(x/xx)-B150	15.7x19.7	250	8.79	12.35	21.14	169.79	45.0	441

PBA639(x/xx) with No Platter

Type	Dimensions [inch]	Max. load (3)	Preload top section (4)	Preload weighing pan (5)	Preload ex works (6)	Mech. preload reserve (7)	Zero set range (8)	Max. load range (1)
PBA639(x/xx)-QA6	9x9	10	1.57	0.00	1.57	12.68	1.8	24
PBA639(x/xx)-A6	9.5x11.8	10	1.75	0.00	1.75	12.50	1.8	24
PBA639(x/xx)-A15	9.5x11.8	25	1.75	0.00	1.75	21.75	4.5	49
PBA639(x/xx)-QB15	12x12	25	3.13	0.00	3.13	20.37	4.5	49
PBA639(x/xx)-QB30	12x12	50	3.13	0.00	3.13	79.15	9.0	132
PBA639(x/xx)-QB60	12x12	100	3.13	0.00	3.13	117.33	18.0	220
PBA639(x/xx)-BB30	11.8x15.7	50	4.41	0.00	4.41	77.87	9.0	132
PBA639(x/xx)-BB60	11.8x15.7	100	4.41	0.00	4.41	116.06	18.0	220
PBA639(x/xx)-B30	15.7x19.7	50	8.79	0.00	8.79	73.49	9.0	132
PBA639(x/xx)-B60	15.7x19.7	100	8.79	0.00	8.79	111.67	18.0	220
PBA639(x/xx)-B150	15.7x19.7	250	8.79	0.00	8.79	182.13	45.0	441
PBA639(x/xx)-BC60	19.7x25.6	100	15.27	0.00	15.27	105.19	18.0	220
PBA639(x/xx)-BC150	19.7x25.6	250	15.27	0.00	15.27	285.89	45.0	551
PBA639(x/xx)-BC300	19.7x25.6	500	15.27	0.00	15.27	587.04	90.0	1102
PBA639(x/xx)-CC60	23.6x29.5	100	23.21	0.00	23.21	97.26	18.0	220
PBA639(x/xx)-CC150	23.6x29.5	250	23.21	0.00	23.21	277.95	45.0	551
PBA639(x/xx)-CC300	23.6x29.5	500	23.21	0.00	23.21	579.11	90.0	1102
PBA639(x/xx)-CC600	23.6x29.5	1000	23.21	0.00	23.21	630.26	180.0	1653

6.6 Accessories

Column

Article #	Designation	Description
30676281	Column open 330 mm / 13"	Fits for platform sizes
30676282	Column open 660 mm / 26"	Fits for all platform size
30676283	Column open 900 mm / 35.4"	Fits for all platform sizes larger than A-Size
30676284	Column closed 330 mm / 13"	Fits for platform sizes
30676285	Column closed 660 mm / 26"	Fits for all platform size
30676286	Column closed 900 mm / 35.4"	Fits for all platform sizes larger than A-Size

Stainless Steel Cart

Article #	Designation	Description
72225939	Stainless steel cart BC	Fits for 500 × 650 mm platform
72225940	Stainless steel cart CC	Fits for 600 × 800 mm platform

Roller Track

Article #	Designation	Description
30253326	Roller track 400 × 500 mm / 15.7" × 19.7" stainless steel	Fits for 400 x 500 mm platform. Roll to short side of platform
30253328	Roller track 500 × 650 mm / 19.7" × 25.6" stainless steel	Fits for 500 x 650 mm platform. Roll to short side of platform
30253330	Roller track 600 × 800 mm / 23.6" × 31.5" stainless steel	Fits for 600 x 800 mm platform. Roll to short side of platform
30253327	Roller track 400 × 500 mm / 15.7" × 19.7" stainless steel	Fits for 400 x 500 mm platform. Roll to long side of platform
30253329	Roller track 500 × 650 mm / 19.7" × 25.6" stainless steel	Fits for 500 x 650 mm platform. Roll to long side of platform
30253331	Roller track 600 × 800 mm / 23.6" × 31.5" stainless steel	Fits for 600 x 800 mm platform. Roll to short side of platform
30640393	Roller track 400 × 500 mm / 15.7" × 19.7" stainless steel	Fits for hazardous area
30640394	Roller track 500 × 650 mm / 19.7" × 25.6" stainless steel	Fits for hazardous area
30640395	Roller track 600 × 800 mm / 23.6" × 31.5" stainless steel	Fits for hazardous area

Front Mount Bracket

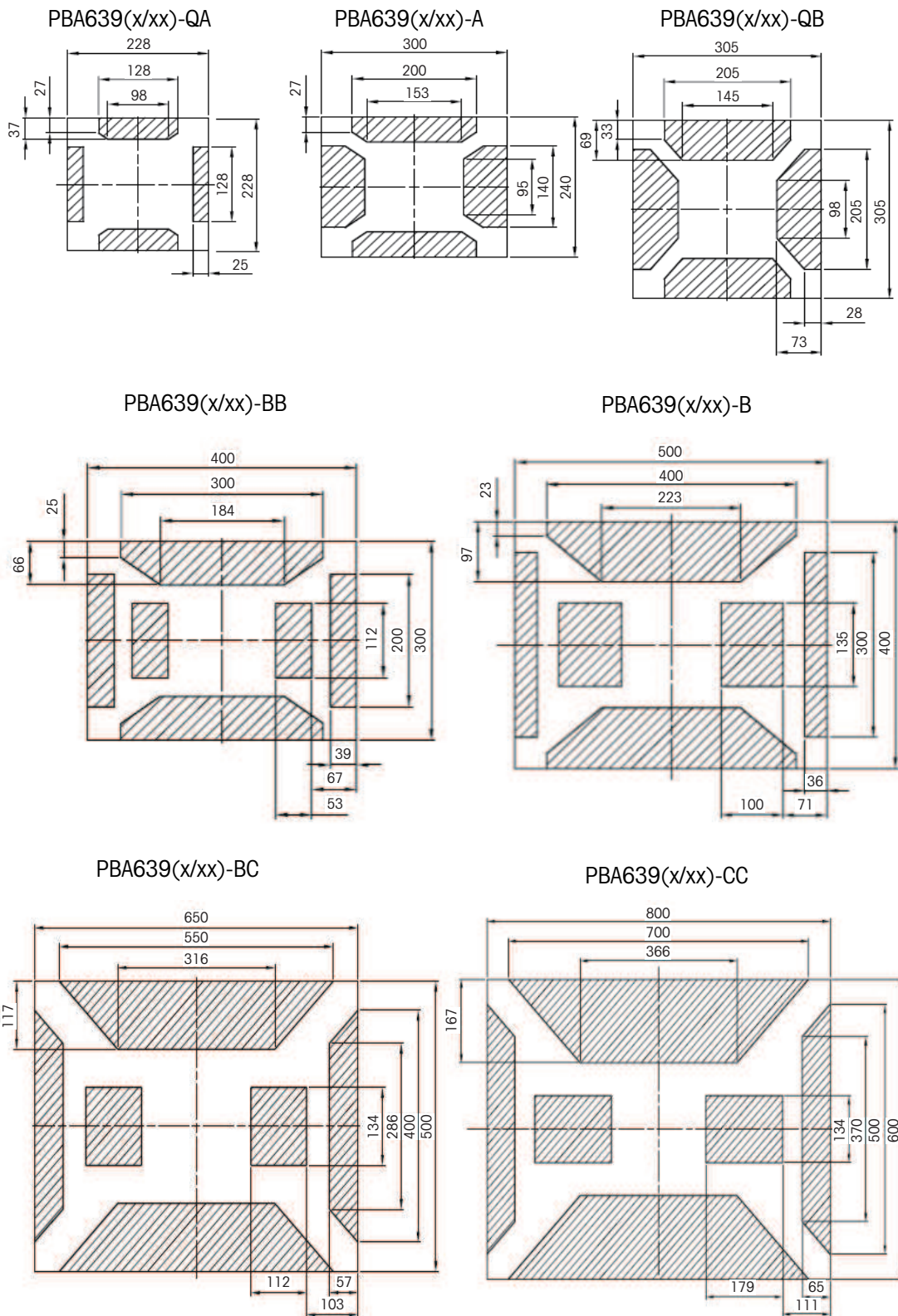
Article #	Designation	Description
30676290	Front mount bracket	Fit for ICS4_9 front mount
30676291	Front mount bracket	Fit for ICS689 front mount

7 Mounting Possibilities

The PBA639(x/xx) supports mounting on stable device. In case drilling on the weighing platform is required, follow the drilling pattern below.





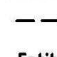
NOTE: The shadow areas are where drilling on the weighing platform is allowed.

Measured in [mm]








8 Appendix

8.1 Label

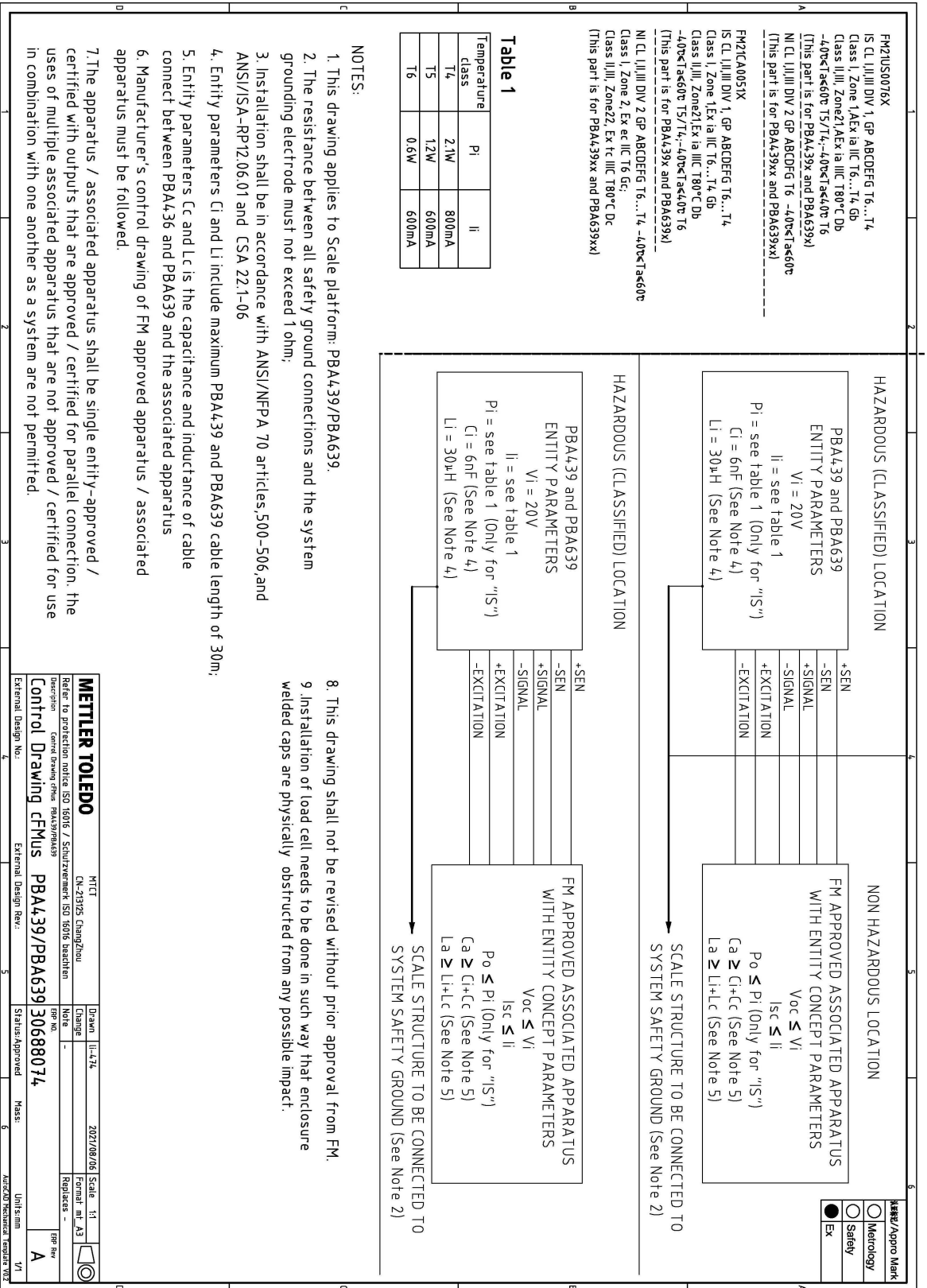
<p>IS CL I,II,III DIV 1, GP ABCDEFG T6...T4 Class I, Zone 1, AEx ia IIC T6...T4 Gb Class II,III, Zone21, AEx ia IIIC T80°C Db -40°C<Ta<60°C T5/T4; -40°C<Ta<40°C T6 FM21US0076X</p>		<p> II 2G Ex ia IIC T6...T4 Gb  II 2D Ex ia IIIC T80°C Db  -40°C<Ta<60°C T5/T4  -40°C<Ta<40°C T6</p>

<p>IS CL I,II,III DIV 1, GP ABCDEFG T6...T4 Class I, Zone 1, Ex ia IIC T6...T4 Gb Class II,III, Zone21, Ex ia IIIC T80°C Db -40°C<Ta<60°C T5/T4; -40°C<Ta<40°C T6 FM21CA0051X</p>		<p>Entity/NIFW for NonIncendive Field Wiring. Entity parameters are shown in drawing 30688074 Mettler-Toledo GmbH, Im Langacher 44, 8606 Greifensee, Switzerland</p>

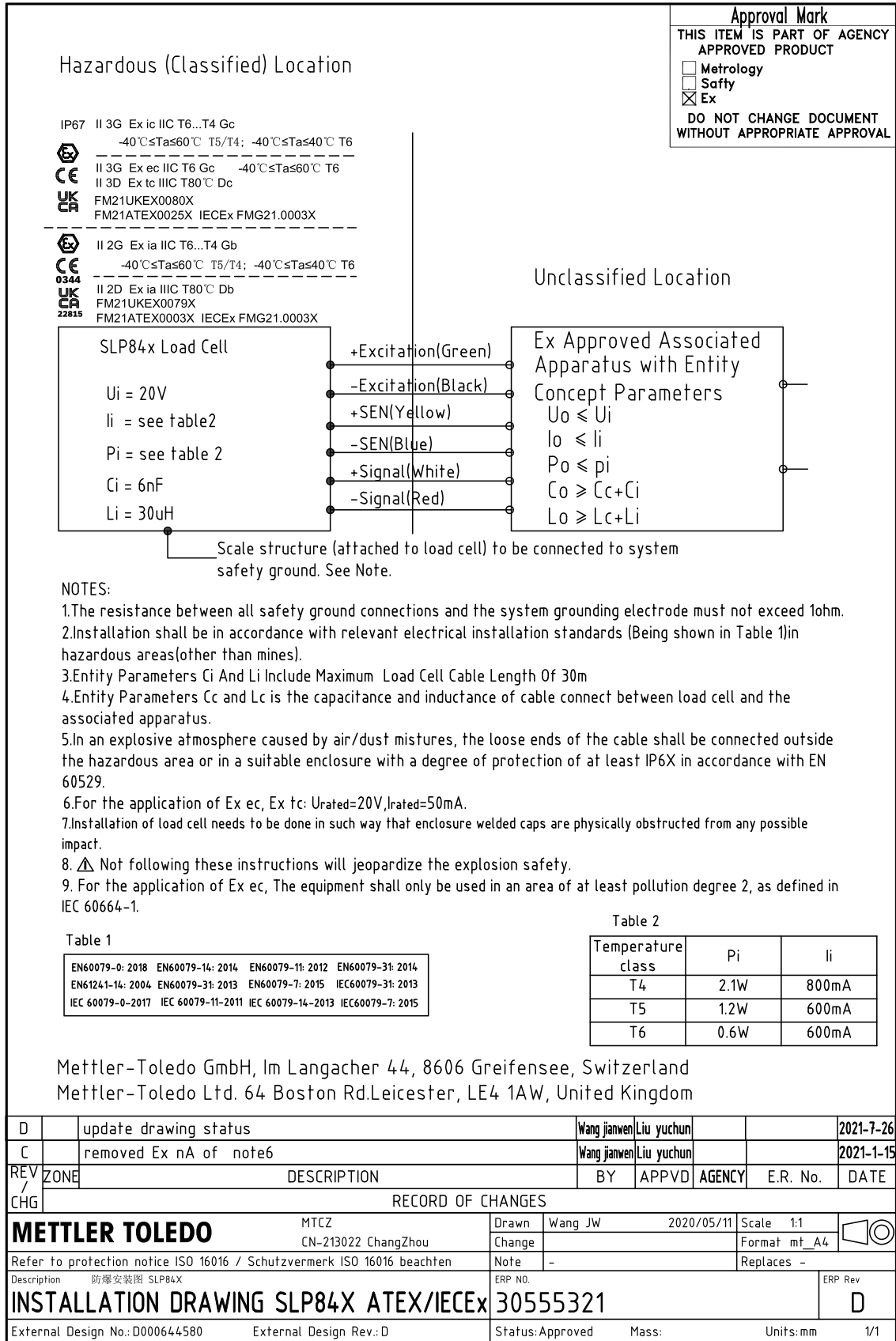
<p>NI CL I,II,III DIV 2 GP ABCDEFG T6 -40°C<Ta<60°C FM21US0076X</p>		<p> II 3G Ex ic IIC T6...T4 Gc  -40°C<Ta<60°C T5/T4 -40°C<Ta<40°C T6</p>	

<p>NI CL I,II,III DIV 2 GP ABCDEFG T6...T4 -40°C<Ta<60°C Class I, Zone 2, Ex ec IIC T6 Gc; Class II,III, Zone22, Ex tc IIIC T80°C Dc FM21CA0051X</p>		<p> II 3G Ex ec IIC T6 Gc U_{rated}=20V  II 3D Ex tc IIIC T80°C Dc I_{rated}=50mA -40°C<Ta<60°C</p>	
			<p>Entity/NIFW for NonIncendive Field Wiring. Entity parameters are shown in drawing 30688074 Mettler-Toledo GmbH, Im Langacher 44, 8606 Greifensee, Switzerland</p>

8.2 Control Drawing



8.3 Installation Drawing



METTLER TOLEDO Service

Gratulujemy wyboru jakości i precyzji firmy METTLER TOLEDO. Stosowanie nowego urządzenia zgodnie z informacjami podanymi w niniejszej instrukcji oraz regularna kalibracja i konserwacja wykonywana przez nasz przeszkolony w zakładzie zespół serwisowy zapewniają niezawodną i dokładną pracę, chroniąc Państwa inwestycję. Prosimy o kontakt w sprawie umowy serwisowej dostosowanej do indywidualnych potrzeb i budżetu. Więcej informacji dostępnych jest na stronie ► www.mt.com/service.

Istnieje kilka ważnych rozwiązań zapewniających zmaksymalizowanie wydajności poczynionej inwestycji:

- 1 **Zarejestruj swój produkt:** Zapraszamy do rejestracji Państwa produktu pod adresem www.mt.com/productregistration
Dzięki temu będziemy posiadali możliwość skontaktowania się z Państwem w przypadku rozszerzeń, aktualizacji i ważnych wiadomości dot. produktu.
- 2 **W celu skorzystania z usług serwisowych należy kontaktować się z METTLER TOLEDO:** Wartość pomiaru jest proporcjonalna do jego dokładności – stosowanie wagi niezgodnej ze specyfikacją może prowadzić do spadku jakości, zmniejszenia zysków i zwiększenia odpowiedzialności. Terminowy przegląd serwisowy wykonany przez METTLER TOLEDO zagwarantuje precyzyjność, zoptymalizuje czas pracy bez przestoju oraz żywotność urządzenia.
 - ➔ **Montaż, konfiguracja, integracja i szkolenie:** Nasi przedstawiciele serwisowi są przeszkolonymi w zakładzie ekspertami ds. urządzeń ważących. Gwarantujemy, że nasze urządzenia ważące są gotowe do produkcji w rozsądnej cenie i na czas, a personel jest w pełni przeszkolony w celu zapewnienia sukcesu biznesowego.
 - ➔ **Dokumentacja dotycząca kalibracji wstępnej:** Ze względu na unikalność środowiska montażowego oraz wymagania w odniesieniu do zastosowań każdej wagi przemysłowej konieczne jest przeprowadzenie testów oraz certyfikacji sprawności. Nasze usługi kalibracji i certyfikaty dowodzą dokładności w celu zapewnienia wysokiej jakości produkcji oraz rejestru systemu jakości w odniesieniu do wydajności.
 - ➔ **Konserwacja okresowa kalibracji:** Umowa na wykonanie usługi kalibracji zapewnia stałe zachowanie pewności dotyczącej procesu ważenia i zgodności dokumentacji z wymaganiami. Oferujemy różne plany usług opracowane zgodnie z wymaganiami klienta, a także w celu dopasowania do wielkości budżetu.

1	Instrukcje bezpieczeństwa	3
1.1	Stosowanie zgodne z przeznaczeniem	3
1.2	Niewłaściwe użycie	3
1.3	Środki bezpieczeństwa	3
1.4	Specjalne warunki użytkowania	4
2	Wstęp	5
2.1	Asortyment	5
2.2	Informacje o niniejszym Podręczniku użytkownika	5
2.3	Pozostała dokumentacja	5
3	Montaż i obsługa	6
3.1	Podłączanie platform ważących do terminalu wagowego	6
3.2	Poziomowanie	7
3.3	Przyłącze ekwipotencjalne	7
3.4	Sprawdzanie platformy ważącej	7
3.5	Obsługa platformy ważącej	8
3.6	Montaż, konfiguracja, serwis i naprawa	9
4	Konserwacja	10
4.1	Uwagi dot. czyszczenia	10
4.2	Dalsze kroki procedury czyszczenia	10
4.3	Utylizacja	10
5	Naprawa	11
6	Parametry techniczne i parametry graniczne pracy urządzenia	12
6.1	Maksymalna podziałka legalizacji skali	12
6.2	Maksymalne dopuszczalne obciążenie	12
6.3	Dane techniczne ogniwa obciążnikowego	13
6.3.1	Dopuszczenie do stref zagrożonych wybuchem	13
6.3.2	Normy zgodności ogniwa obciążnikowego	13
6.4	Wymiary	15
6.5	Informacje o obciążeniu wstępnym nośności	16
6.5.1	Tabela obciążenia wstępnego w kilogramach	17
6.5.2	Tabela obciążenia wstępnego w funtach	19
6.6	Akcesoria	21
7	Możliwości montażowe	22
8	Załącznik	23
8.1	Etykieta	23
8.2	Rysunek kontrolny	24
8.3	Rysunek instalacyjny	25

1 Instrukcje bezpieczeństwa

1.1 Stosowanie zgodne z przeznaczeniem

PBA639(x/xx) Platformy ważących stanowią część modułowego systemu ważenia składającego się z terminalu wagowego firmy METTLER TOLEDO, pełniącego funkcję wskaźnika oraz z co najmniej jednej platformy ważącej.

- Platformę ważącą należy stosować wyłącznie do ważenia zgodnie z informacjami podanymi w niniejszym podręczniku.
- Platforma ważąca jest przeznaczona wyłącznie do stosowania w pomieszczeniach.
- Tylko modele niebezpieczne PBA639x/xx są przeznaczone do stosowania w środowisku niebezpiecznym, jak określono poniżej.
- Każde inne stosowanie jest uznawane za niezgodne z przeznaczeniem.

Metrologia prawna

- W przypadku zastosowań w zakresie metrologii prawnej należy stosować wyłącznie zatwierdzone platformy ważące.
- W przypadku zastosowań w zakresie metrologii prawnej firma obsługująca jest odpowiedzialna za przestrzeganie wszystkich krajowych wymagań dotyczących miar i wag.
- W przypadku pytań związanych z dopuszczeniem do legalnego stosowania w handlu należy skontaktować się z organizacją usługową METTLER TOLEDO.

1.2 Niewłaściwe użycie

- Nie stosować terminalu wagowego do innych celów niż operacje ważenia.
- Nie stosować platformy ważącej w innym środowisku niezgodnym ze specyfikacją podaną w --- MISSING LINK ---.
- Nie modyfikować platformy ważącej.
- Nie stosować terminalu wagowego poza wartościami granicznymi podanymi w specyfikacji technicznej.
- Nie korzystać z platformy ważącej do przechowywania towarów.
- Unikać upadku towarów na platformę ważącą.

1.3 Środki bezpieczeństwa

- Wyłącznie wykwalifikowany i przeszkolony przez firmę METTLER TOLEDO personel może instalować i montować platformę ważącą.
- Zachować ostrożność podczas transportowania lub podnoszenia ciężkich urządzeń.
- Zawsze odłączyć platformę ważącą od źródła zasilania przed jej montażem, serwisowaniem, czyszczeniem lub konserwacją.
- Przewód łączący nie może zostać odłączony od terminalu wagowego podczas podłączania do zasilania.
- Upewnić się, że platforma ważąca osiągnęła temperaturę pokojową przed włączeniem zasilania.
- Przeciwybuchowe platformy ważące PBA639x/xx są zatwierdzone do pracy w następujących strefach zagrożonych wybuchem:
 - ATEX kategoria 2, kategoria 3, gaz/pył (strefa 1/21, Strefa 2/22)
 - cFMus, klasa I,II,III, Div. 1, Div. 2
- Podczas użytkowania platform ważących w strefach zagrożonych wybuchem istnieje zwiększone ryzyko wystąpienia obrażeń ciała i uszkodzenia! Należy zachować szczególną ostrożność podczas pracy w takich strefach.
- W przypadku platformy ważącej PBA639x/xx należy stosować wyłącznie dławiki kablowe przeznaczone i zatwierdzone do stosowania w strefach zagrożonych wybuchem w celu podłączenia przewodu czujnika wagowego do terminalu wagowego.
- Przeciwybuchowe platformy ważące mogą być stosowane wyłącznie w strefach zagrożonych wybuchem w połączeniu z terminalami wagowymi mającymi odpowiednie zatwierdzenie i specyfikację interfejsu.

1.4 Specjalne warunki użytkowania

- W atmosferze wybuchowej spowodowanej wilgocią w powietrzu/pyłę, luźne końcówki kabli powinny być podłączone poza niebezpieczną lub w odpowiedniej przestrzeni o klasie ochrony co najmniej IP6X, zgodnie z normą IEC/EN 60529.

2 Wstęp

2.1 Asortyment

Niniejszy Podręcznik użytkownika dotyczy produktu serii PBA639(x/xx).

Seria PBA639(x/xx) obejmuje różne platformy ważące w celu dopasowania do wymagań. Produkt ten podlega legalizacji i oferowany jest w różnych rozmiarach oraz z różnymi obciążalnościami

Typ	Materiał płyty obciążenia	Materiał ramy wagi	Budowa ogniwa obciążnikowego	Stopień ochrony IP	Zatwierdzenie do pracy w strefach zagrożonych wybuchem
PBA639	Stal nierdzewna	Stal nierdzewna	Stal nierdzewna,	Sucha, mokra,	-
PBA639x	AISI304, opcjonalnie/	AISI304	uszczelnienie hermetyczne	IP68/IP69K	Strefa 1/21, Div 1
PBA639xx	Stal nierdzewna AISI316L, opcjonalnie/ Stal nierdzewna AISI316L, otwarta szalka, opcjonalnie				Strefa 2/22, Div 2

2.2 Informacje o niniejszym Podręczniku użytkownika



Niniejszy podręcznik użytkownika zawiera wszystkie informacje dla operatora produktu.

- Przed użyciem należy dokładnie przeczytać niniejszy Podręcznik użytkownika.
- Zachować Podręcznik użytkownika w celu przyszłego wykorzystania.
- Przekazać niniejszy Podręcznik użytkownika przyszłemu właścicielowi lub użytkownikowi produktu.

2.3 Pozostała dokumentacja

W uzupełnieniu do niniejszego Podręcznika użytkownika zaleca się pobranie ze strony internetowej www.mt.com następujących dokumentów:

- Broszura
- Informacje dotyczące montażu (przeznaczone dla przeszkolonego personelu pod kontrolą firmy obsługującej urządzenie)
- Aprobaty typu

Pobierz certyfikat

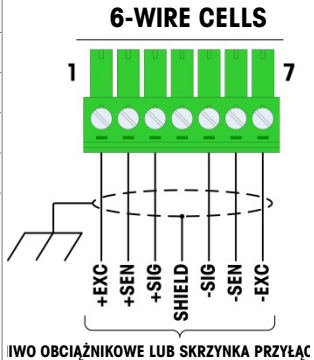
Certyfikaty USA, Kanady, ATEX, UKEX i IECEx można pobrać na stronie [▶ https://www.mt.com/us/en/home/search/compliance.html/compliance/](https://www.mt.com/us/en/home/search/compliance.html/compliance/).

3 Montaż i obsługa

3.1 Podłączanie platform ważących do terminalu wagowego

Platformy ważące PBA639(x/xx) są przeznaczone do stosowania z analogowymi terminalami wagowymi METTLER TOLEDO.

- 1 Podłączyć przewód platformy ważącej do dławika przewodu w terminalu wagowym.
- 2 Podłączyć przewód platformy ważącej do listwy zaciskowej terminalu wagowego zgodnie z następującą tabelą.

Sygnał	Kolor przewodu	Złącze
SIG+	biały	 <p>6-WIRE CELLS</p> <p>1 7</p> <p>+EXC +SEN +SIG SHIELD -SIG -SEN -EXC</p> <p>IWO OBCIĄŻNIKOWE LUB SKRZYŃKA PRZYŁĄC</p>
SIG-	czerwony	
EXC+	zielony	
EXC-	czarny	
SEN+	żółty	
SEN-	niebieski	



OSTRZEŻENIE

Ekran kabla musi być uziemiona.

Środki bezpieczeństwa dla podłączeń

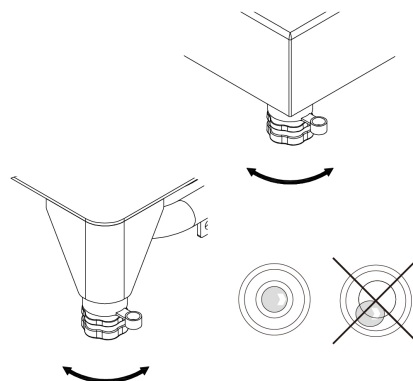
- Podczas podłączania platformy ważącej w niebezpiecznym obszarze, należy ściśle przestrzegać wymagań podanych na rysunku kontrolnym, dostępnym w [Załącznik ▶ strona 23].
- Sprawdzić specjalne warunki bezpiecznego użytkowania na rysunkach i certyfikatach w [Załącznik ▶ strona 23].
- Ekran kabla jest połączony z elementem sprężynującym ogniwa obciążnikowego (korpus ogniwa obciążnikowego). Rozważyć odpowiednie połączenie między ogniwem obciążnikowym a terminalem (lub skrzynką przyłączeniową) w oparciu o scenariusz montażu.
- Rezystancja między wszystkimi połączeniami uziemienia zabezpieczającego a elektrodą uziemiającą systemu nie może przekraczać 1 oma.
- Montaż powinien być zgodny z odpowiednimi normami dotyczącymi instalacji elektrycznych.
- Nieprzestrzeganie tych instrukcji zagraża bezpieczeństwu przeciwwybuchowemu.

3.2 Poziomowanie

Wyłącznie prawidłowo wyrównane w poziomie platformy ważące zapewniają precyzyjne wyniki ważenia. Platforma ważąca musi zostać wypoziomowana podczas wstępnego montażu oraz zawsze w przypadku zmiany jej lokalizacji.

- 1 Należy obracać regulowanymi stopami platformy ważącej do momentu ustawienia pęcherzyka powietrza poziomicy dokładnie w środku okręgu.
- 2 Dokręcić przeciwnakrętki regulowanych stóp.

 **Zeskanować kod QR, aby obejrzeć wideo**

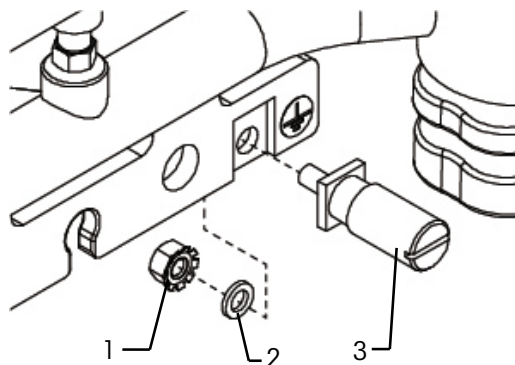


3.3 Przyłącze ekwipotencjalne

Przyłącze ekwipotencjalne PBA639x/xx platform ważących jest montowane fabrycznie. Oprzewodowanie musi zostać zamontowane przez profesjonalnego elektryka na terenie zakładu klienta. Serwisanci METTLER TOLEDO pełnią jedynie funkcję monitorującą i doradczą. Podłączyć przyłącze ekwipotencjalne (PA) wszystkich urządzeń (platforma ważąca i terminal wagowy) zgodnie z obowiązującymi krajowymi przepisami i normami. Podczas wykonywania tego zadania upewnić się, że wszystkie obudowy urządzeń są podłączone do tego samego potencjału za pomocą zacisku PA.

Uwaga

Sprzęt jest zabezpieczony przed porażeniem prądem zgodnie z normą IEC60950, klasa II.



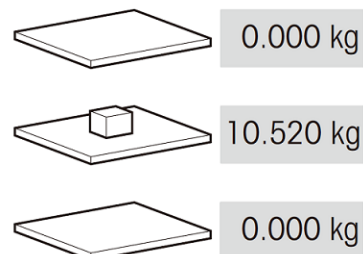
- 1 – Sześciokątna nakrętka zabezpieczająca, M4 KEPS
- 2 – Podkładka
- 3 – Zacisk przyłącza ekwipotencjalnego, moment obrotowy 3,5 Nm

Numer zamówienia zestawu przyłącza ekwipotencjalnego 72237321

3.4 Sprawdzanie platformy ważącej

Kontrola działania

- 1 Upewnić się, że platforma ważąca jest podłączona do terminalu wagowego, a terminal wagowy jest włączony.
- 2 Upewnić się, że platforma ważąca jest pusta, a wyświetlacz terminalu wagowego wskazuje wartość 0.
- 3 Obciążyć platformę ważącą. Terminal wagowy musi wskazywać wartość różną od 0.
- 4 Odciążyć platformę ważącą. Terminal wagowy musi powrócić do 0.



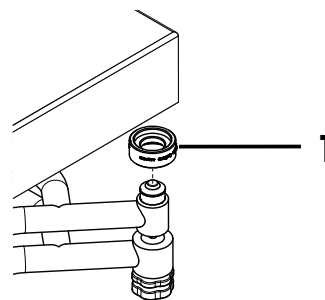
Kontrola legalizacji

W celu przeprowadzenia kontroli legalizacji należy zapoznać się z informacjami podanymi w podręczniku użytkownika podłączonego terminalu wagowego. Jeśli plomba legalizacyjna jest zerwana, legalizacja zostaje unieważniona.

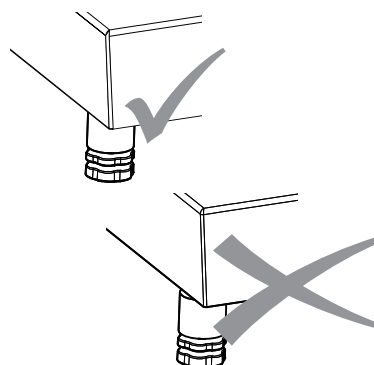
3.5 Obsługa platformy ważącej

W celu uzyskania precyzyjnych wyników ważenia należy przestrzegać następujących zaleceń:

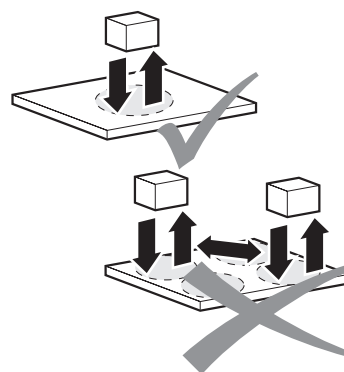
- Jeśli platforma wagowa jest dostarczana z wkładkami ochronnymi do transportu (1) pod płytą ładunkową, przed użyciem należy zdjąć takie transportowe podkładki zabezpieczające.



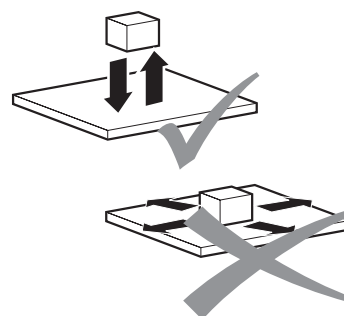
- Upewnij się, że płyta ładunkowa jest prawidłowo umieszczona.



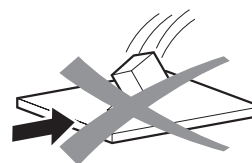
- W celu uzyskania precyzyjnych wyników ważenia próbkę należy zawsze umieszczać w tym samym miejscu na platformie ważącej.



- Unikać procesów ściernych i powodujących zużycie.



- Unikać upadania ładunków, wstrząsów i uderzeń bocznych.



3.6 Montaż, konfiguracja, serwis i naprawa

W celu przeprowadzenia montażu, konfiguracji, serwisu i napraw platform ważących należy skontaktować się z działem serwisowym METTLER TOLEDO.

4 Konserwacja

4.1 Uwagi dot. czyszczenia

Notaika

Nieprawidłowe zastosowanie środków czyszczących spowoduje uszkodzenie platformy ważącej.

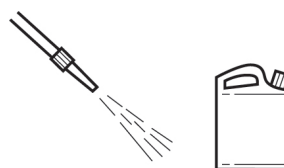
- Stosować wyłącznie środki dezynfekcyjne i czyszczące zgodnie z zaleceniami producenta.
- Nie stosować środków czyszczących silnie kwasowych, zasadowych ani chlorowych. Unikać substancji o wysokim lub niskim pH, ponieważ w takim przypadku istnieje duże ryzyko wystąpienia korozji.
- Zachować szczególną ostrożność podczas czyszczenia ogniwa obciążnikowego.

Procedura czyszczenia

- Regularnie usuwać zanieczyszczenia i zabrudzenia z zewnątrz i wewnątrz platformy ważącej.
 - ➔ Procedura zależy zarówno od typu powierzchni, jak i warunków pracy panujących w miejscu montażu.

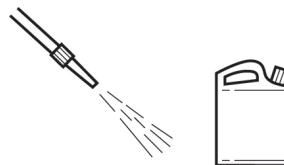
Czyszczenie w środowisku mokrym (wersje ze stali nierdzewnej)

- Stosować strumień wody o temperaturze do 80°C / 176°F i ciśnieniu maks. 80 barów przy minimalnej odległości 40 cm / 16".
- Stosować domowe środki czyszczące.



Czyszczenie w środowisku korozyjnym (wersje ze stali nierdzewnej)

- Stosować strumień wody.
 - Czyszczenie wewnętrzne**, ogniwo obciążnikowe, płyta załadunkowa otwarta: do 60°C / 140°F i maks. 2 bary, minimalna odległość 40 cm / 16".
 - Czyszczenie zewnętrzne**, płyta załadunkowa zamknięta: do 80°C / 176°F i maks. 80 bary, minimalna odległość 40 cm / 16".

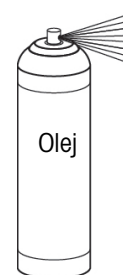


- Regularnie usuwać substancje żrące.
- Stosować wyłącznie środki dezynfekcyjne i czyszczące zgodnie ze specyfikacjami i zaleceniami

4.2 Dalsze kroki procedury czyszczenia

W celu zabezpieczenia wagi należy przeprowadzić następujące dalsze kroki procedury czyszczenia:

- Splukać wagę czystą wodą i usunąć całkowicie środki czyszczące.
- Osuszyć wagę przy użyciu szmatki bezkłaczkowej.
- W przypadku wag ze stali nierdzewnej zabezpieczyć powierzchnie wewnętrzne i zewnętrzne olejem przeznaczonym do kontaktu z żywnością.



4.3 Utylizacja

Zgodnie z dyrektywą europejską 2012/19/UE dotyczącą zużytego sprzętu elektrycznego i elektronicznego (WEEE) urządzenia nie należy wyrzucać razem z odpadami komunalnymi. Dotyczy to także państw spoza Unii Europejskiej zgodnie z przepisami prawa obowiązującymi na ich terytorium.

Prosimy o utylizację niniejszego produktu zgodnie z lokalnymi uregulowaniami prawnymi: w punktach zbiórki urządzeń elektrycznych i elektronicznych. W razie pytań prosimy o kontakt z odpowiednim urzędem lub dystrybutorem, który dostarczył niniejsze urządzenie. Jeśli urządzenie to zostanie przekazane innym podmiotom, jego treść musi być również związana z niniejszym rozporządzeniem.



5 Naprawa

To urządzenie jest zalegalizowane do użytku w miejscach niebezpiecznych, dlatego nie są dozwolone żadne modyfikacje. Naprawy mogą być wykonywane wyłącznie przez personel specjalnie przeszkolony w zakresie napraw tego sprzętu.

6 Parametry techniczne i parametry graniczne pracy urządzenia

6.1 Maksymalna podziałka legalizacji skali

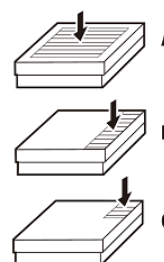
Maks. podziałka legalizacji skali [e] / OIML	Nośność							
	3 kg	6 kg	15 kg	30 kg	60 kg	150 kg	300 kg	600 kg
2 x 3000e MR	-	3 / 0.001	6 / 0.002	15 / 0.005	30 / 0.01	60 / 0.02	150 / 0.05	300 / 0.1
Max / e [kg]	-	6 / 0.002	15 / 0.005	30 / 0.01	60 / 0.02	150 / 0.05	300 / 0.1	600 / 0.2

Maks. podziałka legalizacji skali [d] / NTEP	Nośność							
	-	10 lb	25 lb	50 lb	100 lb	250 lb	500 lb	1000 lb
1 x 5000d Max / d [lb]	-	10 / 0.002	25 / 0.005	50 / 0.01	100 / 0.02	250 / 0.05	500 / 0.1	1000 / 0.2

6.2 Maksymalne dopuszczalne obciążenie

Wszystkie platformy ważące są wyposażone w zabezpieczenie przed przeciążeniem. Dzięki trwałej budowie wagi istnieje możliwość okazjonalnego przekraczania obciążalności znamionowej platformy bez jej uszkodzenia. Nie należy nigdy przekraczać maksymalnej bezpiecznej nośności statycznej.

- Przestrzegać następujących parametrów granicznych pracy.



Model	A - obciąż. centralne	B - obciąż. boczne	C - obciąż. narożnikowe
PBA639(x/xx)-QA	50 kg / 110 lb	35 kg / 77 lb	20 kg / 44 lb
PBA639(x/xx)-A	50 kg / 110 lb	35 kg / 77 lb	20 kg / 44 lb
PBA639(x/xx)-QB	120 kg / 265 lb	80 kg / 176 lb	40 kg / 88 lb
PBA639(x/xx)-BB	120 kg / 265 lb	80 kg / 176 lb	40 kg / 88 lb
PBA639(x/xx)-B	220 kg / 485 lb	150 kg / 331 lb	80 kg / 176 lb
PBA639(x/xx)-BC	450 kg / 992 lb	350 kg / 772 lb	180 kg / 397 lb
PBA639(x/xx)-CC	750 kg / 1653 lb	400 kg / 882 lb	200 kg / 440 lb



OSTRZEŻENIE

Unikać upuszczania i wstrząsów ładunków, a także uderzeń bocznych.

6.3 Dane techniczne ogniwa obciążnikowego

Wyściowa moc znamionowa	mV/V	1,8±0,2
Rezystancja wejściowa	Ω	384±15
Rezystancja wyjściowa	Ω	350±4
Napięcie zalecane	V (DC / AC)	5-15
Napięcie wzbudzone	V (DC / AC)	20
Ekranowanie kabla	-	PCW
Klasa IP	-	IP68/IP69K

6.3.1 Dopuszczenie do stref zagrożonych wybuchem

Ta część dotyczy tylko aspektów produktu dotyczących dopuszczenia do stref zagrożonych wybuchem.

Ogniwo obciążnikowe SLP84x(x=6,7,8) otrzymało:

certyfiat ATEX	FM21ATEX0003X, FM21ATEX0025X
certyfiat UK	FM21UKEX0079X, FM21UKEX0080X
certyfiat IECEx	IECEx FMG21.0003X
certyfiat US	FM21US0005X
certyfiat Kanady	FM21CA0002X

Powyższe certyfikaty i powiązane rysunki montażowe podano w [Załącznik ▶ strona 23].

6.3.2 Normy zgodności ogniwa obciążnikowego

Normy US

Tytuł	Numer	Data wydania
Electrical Equipment for Use in Hazardous (Classified) Locations – General Requirements	FM klasa 3600	2018
Intrinsically Safe Apparatus and Associated Apparatus for Use in Class I, II, and III, Division 1, Hazardous (Classified) Locations	FM klasa 3610	2021
Nonincendive Electrical Equipment for Use in Class I and II, Division 2, and Class III, Divisions 1 and 2, Hazardous (Classified) Locations	FM klasa 3611	2021
Electrical Equipment for Measurement, Control and Laboratory Use	FM klasa 3810	2021
Explosive atmospheres - Part 0: Equipment - General requirements	ANSI/UL 60079-0	2019
Explosive atmospheres – Part 11: Equipment protection by intrinsic safety "i"	ANSI/ISA 60079-11	2014
Nonincendive electrical equipment for use in Class I and II, Division 2 and Class III, Divisions 1 and 2 hazardous (classified) locations	ANSI/UL 121201	2017
Safety Requirements for Electrical Equipment for Measurement, Control, and Laboratory Use – Part 1: General Requirements	ANSI/UL 61010-1	2012
Degrees of Protection Provided by Enclosures (IP Code)	ANSI/IEC 60529	2020

Normy Kanady

Tytuł	Numer	Data wydania
Non-Incendive Electrical Equipment for use in Class I, Division 2 Hazardous Locations	CSA C22.2 No. 213	2017
Explosive atmospheres - Part 0: Equipment - General requirements	CAN/CSA-C22.2 No. 60079-0	2019
Explosive atmospheres - Part 11: Equipment protection by intrinsic safety "i"	CAN/CSA-C22.2 No. 60079-11	2014
Explosive atmospheres - Part 7: Equipment protection by increased safety "e"	CAN/CSA-C22.2 No. 60079-7	2018
Explosive atmospheres - Part 31: Equipment dust ignition protection by enclosure "t"	CAN/CSA-C22.2 No. 60079-31	2015

Tytuł	Numer	Data wydania
Safety Requirements for Electrical Equipment for Measurement, Control, and Laboratory Use – Part 1: General Requirements	CSA C22.2 No. 61010-1	2012
Degrees of Protection Provided by Enclosures (IP Code)	CSA C22.2 No. 60529	2016

Normy IECEx

Tytuł	Numer	Data wydania
Explosive atmospheres - Part 0: Equipment - General requirements	IEC 60079-0	2017
Explosive atmospheres - Part 11: Equipment protection by intrinsic safety "i"	IEC 60079-11	2011
Explosive atmospheres - Part 7: Equipment protection by increased safety "e"	IEC 60079-7	2017
Explosive atmospheres - Part 31: Equipment dust ignition protection by enclosure "t"	IEC 60079-31	2013
Degrees of Protection Provided by Enclosures (IP Code)	IEC 60529	2013

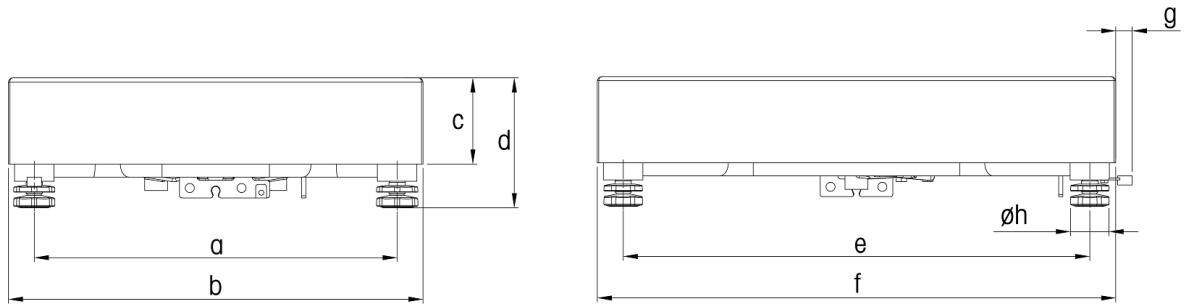
Normy ATEX

Tytuł	Numer	Data wydania
Explosive atmospheres - Part 0: Equipment - General requirements	IEC 60079-0	2018
Explosive atmospheres - Part 11: Equipment protection by intrinsic safety "i"	EN 60079-11	2012
Explosive atmospheres - Part 7: Equipment protection by increased safety "e"	EN 60079-7	2015 +A1:2018
Explosive atmospheres - Part 31: Equipment dust ignition protection by enclosure "t"	EN 60079-31	2014
Degrees of Protection Provided by Enclosures (IP Code)	EN 60529	1991 + A1:2000 + A2:2013

Normy UKEX

Tytuł	Numer	Data wydania
Explosive atmospheres - Part 0: Equipment - General requirements	IEC 60079-0	2018
Explosive atmospheres - Part 11: Equipment protection by intrinsic safety "i"	EN 60079-11	2012
Explosive atmospheres - Part 7: Equipment protection by increased safety "e"	EN 60079-7	2015 +A1:2018
Explosive atmospheres - Part 31: Equipment dust ignition protection by enclosure "t"	EN 60079-31	2014
Degrees of Protection Provided by Enclosures (IP Code)	EN 60529	1991 + A1:2000 + A2:2013

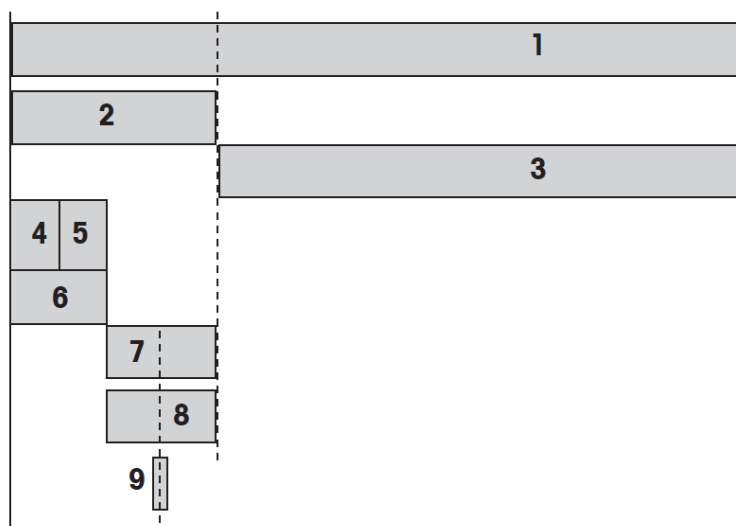
6.4 Wymiary



Wymiary		a	b	c	d *	e	f	g	h
PBA639(x/xx)-QA	mm	178	228	70	110	178	228	21	40
	cal	7,01	8,98	2,76	4,33	7,01	8,98	0,83	1,57
PBA639(x/xx)-A	mm	190	240	70	110	250	300	21	40
	cal	7,48	9,45	2,76	4,33	9,84	11,81	0,83	1,57
PBA639(x/xx)-QB	mm	255	305	70	110	255	305	21	40
	cal	10,04	12,01	2,76	4,33	10,04	12,01	0,83	1,57
PBA639(x/xx)-BB	mm	250	300	70	110	350	400	21	40
	cal	9,84	11,81	2,76	4,33	13,78	15,75	0,83	1,57
PBA639(x/xx)-B	mm	350	400	83	126	450	500	21	40
	cal	13,78	15,75	3,27	4,96	17,72	19,69	0,83	1,57
PBA639(x/xx)-BC	mm	450	500	90	134	600	650	21	40
	cal	17,72	19,69	3,54	5,28	23,62	25,59	0,83	1,57
PBA639(x/xx)-CC	mm	550	600	90	134	750	800	21	40
	cal	21,65	23,62	3,54	5,28	29,53	31,50	0,83	1,57
PBA639(x/xx)-CC600	mm	550	600	94	140,5	750	800	21	40
	cal	21,65	23,62	3,70	5,53	29,53	31,50	0,83	1,57

*: d= minimalna wysokość platformy. Regulowanymi stopami wagi można zwiększyć wysokość platformy o maksymalnie 5 mm / 0,20 cala.

6.5 Informacje o obciążeniu wstępnym nośności



1	Zakres maksymalnego obciążenia ogniwa obciążnikowego cell (E_{max})
2	Maksymalne obciążenie wstępne = zakres maksymalnego obciążenia 1 – maksymalne obciążenie 3
3	Maksymalne obciążenie = zakres maksymalnego obciążenia 1 – maksymalne obciążenie wstępne 2
4	Górna sekcja obciążenia wstępnego
5	Szalka obciążenia wstępnego
6	Obciążenie wstępne ex works = Górna sekcja obciążenia wstępnego 4 + Szalka obciążenia wstępnego 5
7	Rezerwa mechanicznego obciążenia wstępnego = maksymalne obciążenie wstępne 2 – Obciążenie wstępne ex works 6
8	Można ustawić zakres zerowania (włączanie). Zakres zerowania musi mieścić się w wartości maksymalnego obciążenia wstępnego. Zakres zerowania może wynosić maks. 18 % of maksymalnego obciążenia.
9	Zakres zerowania $\pm 2\%$ maksymalnego obciążenia

6.5.1 Tabela obciążenia wstępnego w kilogramach

PBA639(x/xx) ze standardową szalką (304 / 316L)

Typ	Wymiary [mm]	Maks. obciążenie (3)	Górna sekcja obciążenia wstępnego (4)	Szalka obciążenia wstępnego (5)	Obciążenie wstępne ex works (6)	Rezerwa mechanicznego obciążenia wstępnego (7)	Zakres zerowania (8)	Zakres maks. obciążenia (1)
PBA639(x/xx)-QA3	228x228	3	0,71	1,90	2,61	5,39	0,54	11
PBA639(x/xx)-QA6	228x228	6	0,71	1,90	2,61	2,39	1,08	11
PBA639(x/xx)-A3	240x300	3	0,80	2,40	3,20	4,80	0,54	11
PBA639(x/xx)-A6	240x300	6	0,80	2,40	3,20	1,80	1,08	11
PBA639(x/xx)-A15	240x300	15	0,80	2,40	3,20	3,80	2,70	22
PBA639(x/xx)-QB15	305x305	15	1,42	2,80	4,22	2,78	2,70	22
PBA639(x/xx)-QB30	305x305	30	1,42	2,80	4,22	25,78	5,40	60
PBA639(x/xx)-QB60	305x305	60	1,42	2,80	4,22	35,78	10,80	100
PBA639(x/xx)-BB30	300x400	30	2,00	3,50	5,50	24,50	5,40	60
PBA639(x/xx)-BB60	300x400	60	2,00	3,50	5,50	34,50	10,80	100
PBA639(x/xx)-B30	400x500	30	3,99	5,50	9,49	20,51	5,40	60
PBA639(x/xx)-B60	400x500	60	3,99	5,50	9,49	30,51	10,80	100
PBA639(x/xx)-B150	400x500	150	3,99	5,50	9,49	40,51	27,00	200
PBA639(x/xx)-BC60	500x650	60	6,93	8,40	15,33	24,67	10,80	100
PBA639(x/xx)-BC150	500x650	150	6,93	8,40	15,33	84,67	27,00	250
PBA639(x/xx)-BC300	500x650	300	6,93	8,40	15,33	184,67	54,00	500
PBA639(x/xx)-CC60	600x800	60	10,53	11,50	22,03	17,97	10,80	100
PBA639(x/xx)-CC150	600x800	150	10,53	11,50	22,03	77,97	27,00	250
PBA639(x/xx)-CC300	600x800	300	10,53	11,50	22,03	177,97	54,00	500
PBA639(x/xx)-CC600	600x800	600	10,53	14,70	25,23	124,77	108,00	750

PBA639(x/xx) z otwartą szalką (304 / 316L)

Typ	Wymiary [mm]	Maks. obciążenie (3)	Górna sekcja obciążenia wstępnego (4)	Szalka obciążenia wstępnego (5)	Obciążenie wstępne ex works (6)	Rezerwa mechanicznego obciążenia wstępnego (7)	Zakres zerowania (8)	Zakres maks. obciążenia (1)
PBA639(x/xx)-QA3	228x228	3	0,71	1,20	1,91	6,09	0,54	11
PBA639(x/xx)-QA6	228x228	6	0,71	1,20	1,91	3,09	1,08	11
PBA639(x/xx)-A3	240x300	3	0,80	1,50	2,30	5,70	0,54	11
PBA639(x/xx)-A6	240x300	6	0,80	1,50	2,30	2,70	1,08	11
PBA639(x/xx)-A15	240x300	15	0,80	1,50	2,30	4,70	2,70	22
PBA639(x/xx)-QB15	305x305	15	1,42	1,80	3,22	3,78	2,70	22
PBA639(x/xx)-QB30	305x305	30	1,42	1,80	3,22	26,78	5,40	60
PBA639(x/xx)-QB60	305x305	60	1,42	1,80	3,22	36,78	10,80	100
PBA639(x/xx)-BB30	300x400	30	2,00	2,30	4,30	25,70	5,40	60
PBA639(x/xx)-BB60	300x400	60	2,00	2,30	4,30	35,70	10,80	100
PBA639(x/xx)-B30	400x500	30	3,99	5,60	9,59	20,41	5,40	60
PBA639(x/xx)-B60	400x500	60	3,99	5,60	9,59	30,41	10,80	100

Typ	Wymiary [mm]	Maks. obciążenie (3)	Górna sekcja obciążenia wstępnego (4)	Szalka obciążenia wstępnego (5)	Obciążenie wstępne ex works (6)	Rezerwa mechanicznego obciążenia wstępnego (7)	Zakres zerowania (8)	Zakres maks. obciążenia (1)
PBA639(x/xx)-B150	400x500	150	3,99	5,60	9,59	40,41	27,00	200

PBA639(x/xx) bez szalki

Typ	Wymiary [mm]	Maks. obciążenie (3)	Górna sekcja obciążenia wstępnego (4)	Szalka obciążenia wstępnego (5)	Obciążenie wstępne ex works (6)	Rezerwa mechanicznego obciążenia wstępnego (7)	Zakres zerowania (8)	Zakres maks. obciążenia (1)
PBA639(x/xx)-QA3	228x228	3	0,71	0	0,71	7,286	0,54	11
PBA639(x/xx)-QA6	228x228	6	0,71	0	0,71	4,29	1,08	11
PBA639(x/xx)-A3	240x300	3	0,80	0	0,80	7,20	0,54	11
PBA639(x/xx)-A6	240x300	6	0,80	0	0,80	4,20	1,08	11
PBA639(x/xx)-A15	240x300	15	0,80	0	0,80	6,20	2,70	22
PBA639(x/xx)-QB15	305x305	15	1,42	0	1,42	5,58	2,70	22
PBA639(x/xx)-QB30	305x305	30	1,42	0	1,42	28,58	5,40	60
PBA639(x/xx)-QB60	305x305	60	1,42	0	1,42	38,58	10,80	100
PBA639(x/xx)-BB30	300x400	30	2,00	0	2,00	28,00	5,40	60
PBA639(x/xx)-BB60	300x400	60	2,00	0	2,00	38,00	10,80	100
PBA639(x/xx)-B30	400x500	30	3,99	0	3,99	26,01	5,40	60
PBA639(x/xx)-B60	400x500	60	3,99	0	3,99	36,01	10,80	100
PBA639(x/xx)-B150	400x500	150	3,99	0	3,99	46,01	27,00	200
PBA639(x/xx)-BC60	500x650	60	6,93	0	6,93	33,07	10,80	100
PBA639(x/xx)-BC150	500x650	150	6,93	0	6,93	93,07	27,00	250
PBA639(x/xx)-BC300	500x650	300	6,93	0	6,93	193,07	54,00	500
PBA639(x/xx)-CC60	600x800	60	10,53	0	10,53	29,47	10,80	100
PBA639(x/xx)-CC150	600x800	150	10,53	0	10,53	89,47	27,00	250
PBA639(x/xx)-CC300	600x800	300	10,53	0	10,53	189,47	54,00	500
PBA639(x/xx)-CC600	600x800	600	10,53	0	10,53	139,47	108,00	750

6.5.2 Tabela obciążenia wstępного w funtach

PBA639(x/xx) ze standardową szalką (304 / 316L)

Typ	Wymiary [cal]	Maks. obciążenie (3)	Górna sekcja obciążenia wstępного (4)	Szalka obciążenia wstępного (5)	Obciążenie wstępне ex works (6)	Rezerwa mechanicznego obciążenia wstępного (7)	Zakres zerowania (8)	Zakres maks. obciążenia (1)
PBA639(x/xx)-QA6	9x9	10	1,57	4,19	5,76	8,49	1,8	24
PBA639(x/xx)-A6	9,5x11,8	10	1,75	5,29	7,05	7,20	1,8	24
PBA639(x/xx)-A15	9,5x11,8	25	1,75	5,29	7,05	16,46	4,5	49
PBA639(x/xx)-QB15	12x12	25	3,13	6,17	9,30	14,20	4,5	49
PBA639(x/xx)-QB30	12x12	50	3,13	6,17	9,30	72,98	9,0	132
PBA639(x/xx)-QB60	12x12	100	3,13	6,17	9,30	111,16	18,0	220
PBA639(x/xx)-BB30	11,8x15,7	50	4,41	7,72	12,12	70,15	9,0	132
PBA639(x/xx)-BB60	11,8x15,7	100	4,41	7,72	12,12	108,34	18,0	220
PBA639(x/xx)-B30	15,7x19,7	50	8,79	12,13	20,92	61,36	9,0	132
PBA639(x/xx)-B60	15,7x19,7	100	8,79	12,13	20,92	99,55	18,0	220
PBA639(x/xx)-B150	15,7x19,7	250	8,79	12,13	20,92	170,01	45,0	441
PBA639(x/xx)-BC60	19,7x25,6	100	15,27	18,52	33,79	86,67	18,0	220
PBA639(x/xx)-BC150	19,7x25,6	250	15,27	18,52	33,79	267,37	45,0	551
PBA639(x/xx)-BC300	19,7x25,6	500	15,27	18,52	33,79	568,52	90,0	1102
PBA639(x/xx)-CC60	23,6x29,5	100	23,21	25,35	48,56	71,90	18,0	220
PBA639(x/xx)-CC150	23,6x29,5	250	23,21	25,35	48,56	252,60	45,0	551
PBA639(x/xx)-CC300	23,6x29,5	500	23,21	25,35	48,56	553,75	90,0	1102
PBA639(x/xx)-CC600	23,6x29,5	1000	23,21	32,41	55,61	597,85	180,0	1653

PBA639(x/xx) z otwartą szalką (304 / 316L)

Typ	Wymiary [cal]	Maks. obciążenie (3)	Górna sekcja obciążenia wstępного (4)	Szalka obciążenia wstępного (5)	Obciążenie wstępне ex works (6)	Rezerwa mechanicznego obciążenia wstępного (7)	Zakres zerowania (8)	Zakres maks. obciążenia (1)
PBA639(x/xx)-QA6	9x9	10	1,57	2,65	4,22	10,03	1,8	24
PBA639(x/xx)-A6	9,5x11,8	10	1,75	3,31	5,06	9,19	1,8	24
PBA639(x/xx)-A15	9,5x11,8	25	1,75	3,31	5,06	18,44	4,5	49
PBA639(x/xx)-QB15	12x12	25	3,13	3,97	7,10	16,41	4,5	49
PBA639(x/xx)-QB30	12x12	50	3,13	3,97	7,10	75,18	9,0	132
PBA639(x/xx)-QB60	12x12	100	3,13	3,97	7,10	113,37	18,0	220
PBA639(x/xx)-BB30	11,8x15,7	50	4,41	5,07	9,48	72,80	9,0	132
PBA639(x/xx)-BB60	11,8x15,7	100	4,41	5,07	9,48	110,98	18,0	220
PBA639(x/xx)-B30	15,7x19,7	50	8,79	12,35	21,14	61,14	9,0	132
PBA639(x/xx)-B60	15,7x19,7	100	8,79	12,35	21,14	99,33	18,0	220
PBA639(x/xx)-B150	15,7x19,7	250	8,79	12,35	21,14	169,79	45,0	441

PBA639(x/xx) bez szalki

Typ	Wymiary [cal]	Maks. obciążenie (3)	Górna sekcja obciążenia wstępnego (4)	Szalka obciążenia wstępnego (5)	Obciążenie wstępne ex works (6)	Rezerwa mechanicznego obciążenia wstępnego (7)	Zakres zerowania (8)	Zakres maks. obciążenia (1)
PBA639(x/xx)-QA6	9x9	10	1,57	0,00	1,57	12,68	1,8	24
PBA639(x/xx)-A6	9,5x11,8	10	1,75	0,00	1,75	12,50	1,8	24
PBA639(x/xx)-A15	9,5x11,8	25	1,75	0,00	1,75	21,75	4,5	49
PBA639(x/xx)-QB15	12x12	25	3,13	0,00	3,13	20,37	4,5	49
PBA639(x/xx)-QB30	12x12	50	3,13	0,00	3,13	79,15	9,0	132
PBA639(x/xx)-QB60	12x12	100	3,13	0,00	3,13	117,33	18,0	220
PBA639(x/xx)-BB30	11,8x15,7	50	4,41	0,00	4,41	77,87	9,0	132
PBA639(x/xx)-BB60	11,8x15,7	100	4,41	0,00	4,41	116,06	18,0	220
PBA639(x/xx)-B30	15,7x19,7	50	8,79	0,00	8,79	73,49	9,0	132
PBA639(x/xx)-B60	15,7x19,7	100	8,79	0,00	8,79	111,67	18,0	220
PBA639(x/xx)-B150	15,7x19,7	250	8,79	0,00	8,79	182,13	45,0	441
PBA639(x/xx)-BC60	19,7x25,6	100	15,27	0,00	15,27	105,19	18,0	220
PBA639(x/xx)-BC150	19,7x25,6	250	15,27	0,00	15,27	285,89	45,0	551
PBA639(x/xx)-BC300	19,7x25,6	500	15,27	0,00	15,27	587,04	90,0	1102
PBA639(x/xx)-CC60	23,6x29,5	100	23,21	0,00	23,21	97,26	18,0	220
PBA639(x/xx)-CC150	23,6x29,5	250	23,21	0,00	23,21	277,95	45,0	551
PBA639(x/xx)-CC300	23,6x29,5	500	23,21	0,00	23,21	579,11	90,0	1102
PBA639(x/xx)-CC600	23,6x29,5	1000	23,21	0,00	23,21	630,26	180,0	1653

6.6 Akcesoria

Kolumna

Nr artykułu	Oznaczenie	Opis
30676281	Kolumna otwarta 330 mm / 13"	Pasuje do rozmiarów platform
30676282	Kolumna otwarta 660 mm / 26"	Pasuje do wszystkich rozmiarów platform
30676283	Kolumna otwarta 900 mm / 35,4"	Pasuje do wszystkich rozmiarów platform większych od rozmiaru A
30676284	Kolumna zamknięta 330 mm / 13"	Pasuje do rozmiarów platform
30676285	Kolumna zamknięta 660 mm / 26"	Pasuje do wszystkich rozmiarów platform
30676286	Kolumna zamknięta 900 mm / 35,4"	Pasuje do wszystkich rozmiarów platform większych od rozmiaru A

Wózek ze stali nierdzewnej

Nr artykułu	Oznaczenie	Opis
72225939	Wózek ze stali nierdzewnej BC	Pasuje do platform o wymiarach 500 × 650 mm
72225940	Wózek ze stali nierdzewnej CC	Pasuje do platform o wymiarach 600 × 800 mm

Szyna rolkowa

Nr artykułu	Oznaczenie	Opis
30253326	Przenośnik rolkowy 400 × 500 mm / 15,7" × 19,7" ze stali nierdzewnej	Pasuje do platform o wymiarach 400 × 500 mm. Przesunąć do krótkiego boku platformy
30253328	Przenośnik rolkowy 500 × 650 mm / 19,7" × 25,6" ze stali nierdzewnej	Pasuje do platform o wymiarach 500 × 650 mm. Przesunąć do krótkiego boku platformy
30253330	Przenośnik rolkowy 600 × 800 mm / 23,6" × 31,5" ze stali nierdzewnej	Pasuje do platform o wymiarach 600 × 800 mm. Przesunąć do krótkiego boku platformy
30253327	Przenośnik rolkowy 400 × 500 mm / 15,7" × 19,7" ze stali nierdzewnej	Pasuje do platform o wymiarach 400x500 mm. Przesunąć do długiego boku platformy
30253329	Przenośnik rolkowy 500 × 650 mm / 19,7" × 25,6" ze stali nierdzewnej	Pasuje do platform o wymiarach 500x650 mm. Przesunąć do długiego boku platformy
30253331	Przenośnik rolkowy 600 × 800 mm / 23,6" × 31,5" ze stali nierdzewnej	Pasuje do platform o wymiarach 600x800 mm. Przesunąć do krótkiego boku platformy
30640393	Przenośnik rolkowy 400 × 500 mm / 15,7" × 19,7" ze stali nierdzewnej	Pasuje do niebezpiecznych obszarów
30640394	Przenośnik rolkowy 500 × 650 mm / 19,7" × 25,6" ze stali nierdzewnej	Pasuje do niebezpiecznych obszarów
30640395	Przenośnik rolkowy 600 × 800 mm / 23,6" × 31,5" ze stali nierdzewnej	Pasuje do niebezpiecznych obszarów

Wspornik mocowania z przodu

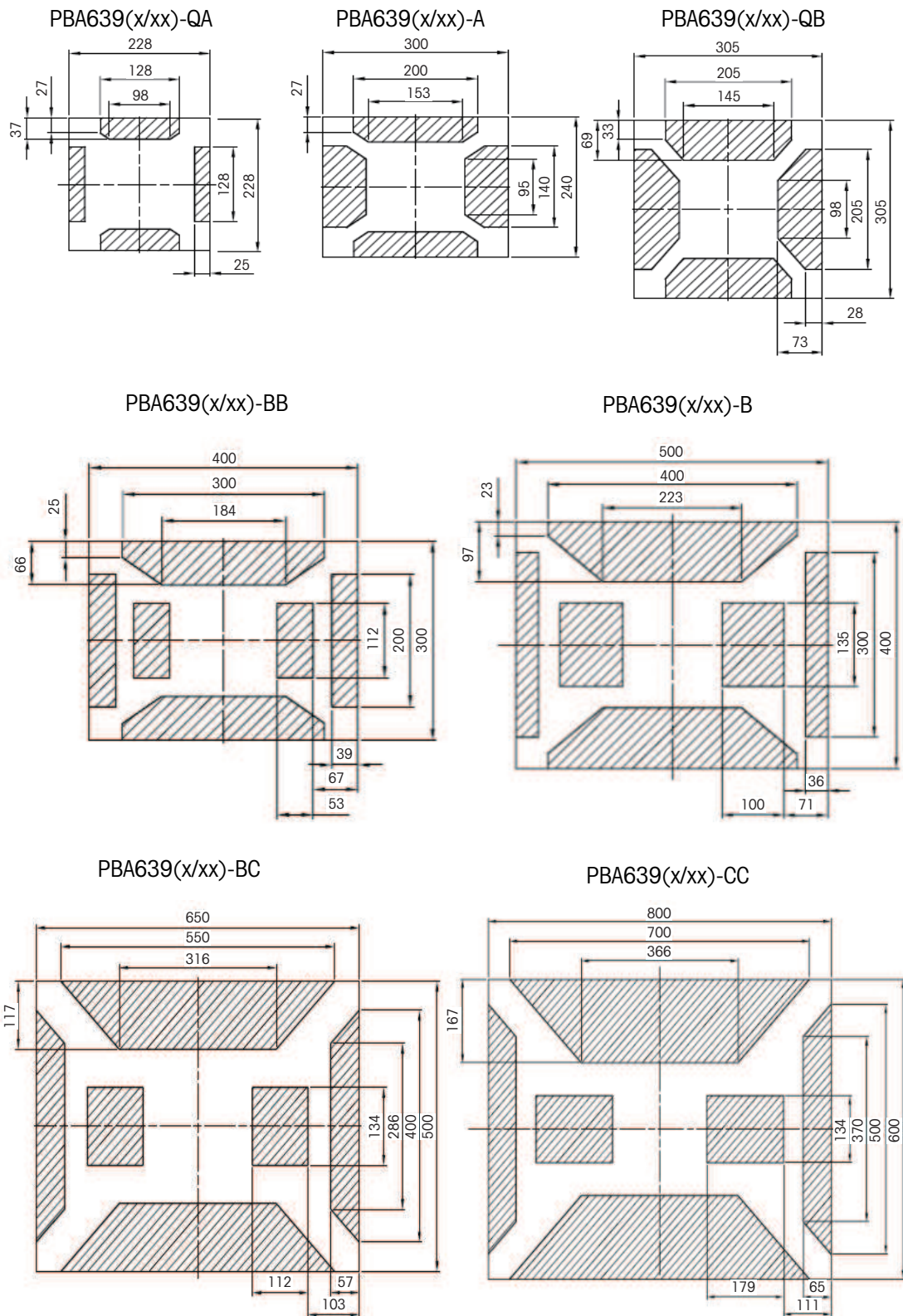
Nr artykułu	Oznaczenie	Opis
30676290	Wspornik mocowania z przodu	Pasuje do mocowania przedniego ICS4_9
30676291	Wspornik mocowania z przodu	Pasuje do mocowania przedniego ICS689

7 Możliwości montażowe

Wsporniki do montażu PBA639(x/xx) na stabilnym urządzeniu. W razie konieczności wiercenia na platformie ważącej, należy wykonywać to zgodnie z poniższym wzorem.



UWAGA: Zacienione miejsca wskazują, gdzie wolno wiercić na platformie.

Wyniki pomiaru w [mm]







8 Załącznik

8.1 Etykieta

<p>IS CL I,II,III DIV 1, GP ABCDEFG T6...T4 Class I, Zone 1, AEx ia IIC T6...T4 Gb Class II,III, Zone21, AEx ia IIIC T80°C Db -40°C<Ta<60°C T5/T4; -40°C<Ta<40°C T6 FM21US0076X</p>		<p> II 2G Ex ia IIC T6...T4 Gb II 2D Ex ia IIIC T80°C Db -40°C<Ta<60°C T5/T4 -40°C<Ta<40°C T6</p>

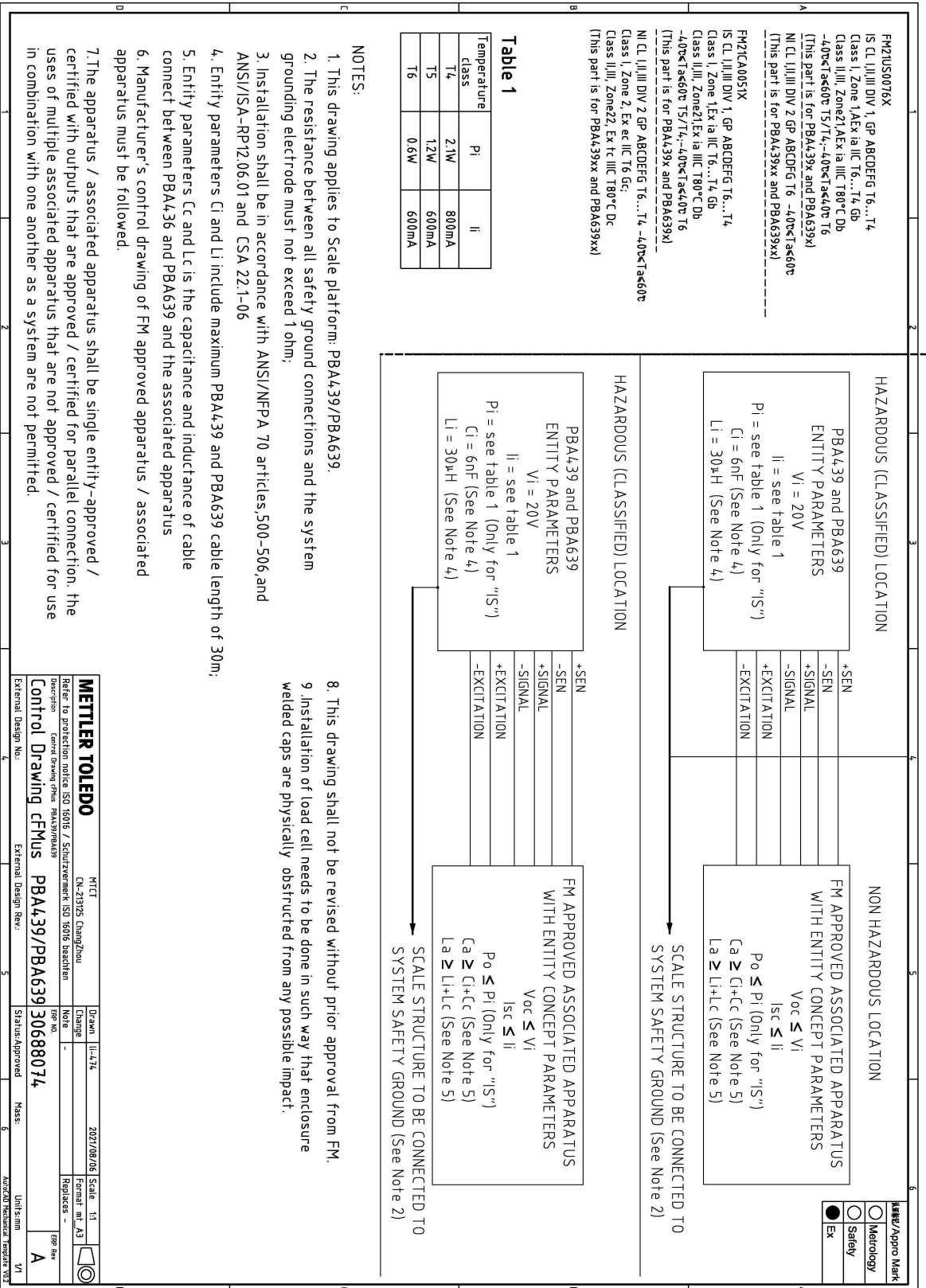
<p>IS CL I,II,III DIV 1, GP ABCDEFG T6...T4 Class I, Zone 1, Ex ia IIC T6...T4 Gb Class II,III, Zone21, Ex ia IIIC T80°C Db -40°C<Ta<60°C T5/T4; -40°C<Ta<40°C T6 FM21CA0051X</p>		<p>Entity/NIFW for NonIncendive Field Wiring. Entity parameters are shown in drawing 30688074 Mettler-Toledo GmbH, Im Langacher 44, 8606 Greifensee, Switzerland</p>

<p>NI CL I,II,III DIV 2 GP ABCDEFG T6 -40°C<Ta<60°C FM21US0076X</p>		<p> II 3G Ex ic IIC T6...T4 Gc -40°C<Ta<60°C T5/T4 -40°C<Ta<40°C T6</p>

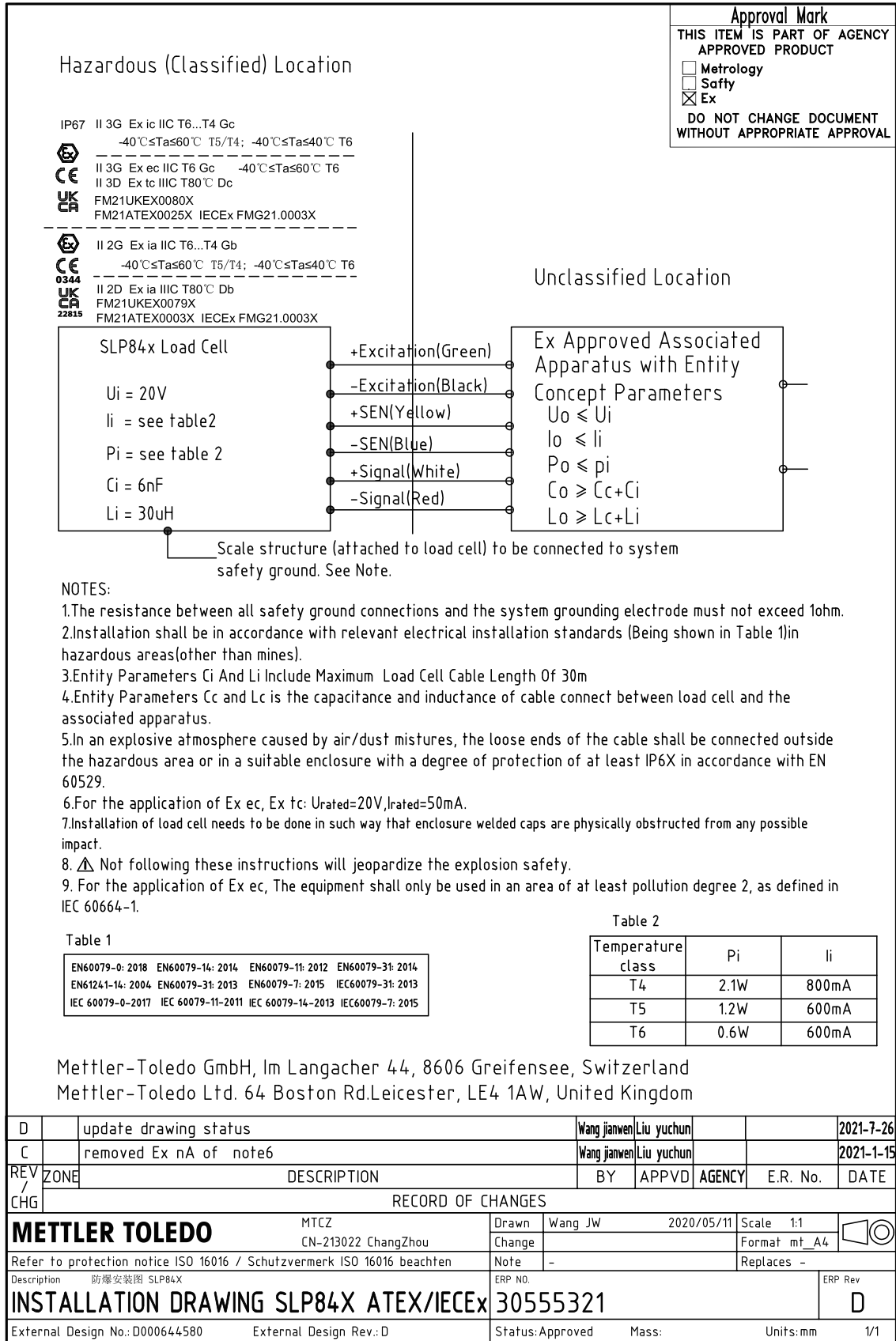
<p>NI CL I,II,III DIV 2 GP ABCDEFG T6...T4 -40°C<Ta<60°C Class I, Zone 2, Ex ec IIC T6 Gc; Class II,III, Zone22, Ex tc IIIC T80°C Dc FM21CA0051X</p>		<p> II 3G Ex ec IIC T6 Gc U_{rated}=20V  II 3D Ex tc IIIC T80°C Dc I_{rated}=50mA -40°C<Ta<60°C</p>

		<p>Entity/NIFW for NonIncendive Field Wiring. Entity parameters are shown in drawing 30688074 Mettler-Toledo GmbH, Im Langacher 44, 8606 Greifensee, Switzerland</p>

8.2 Rysunek kontrolny



8.3 Rysunek instalacyjny



METTLER TOLEDO Service

Blahopřejeme k výběru kvality a přesnosti METTLER TOLEDO. Správné používání nového zařízení v souladu s touto příručkou a pravidelná kalibrace a údržba servisním týmem vyškoleným v našem podniku zajistí spolehlivou a přesnou činnost přístroje a ochrání vaši investici. Obráťte se na nás v záležitosti smlouvy o servisu přizpůsobené vašim potřebám a vašemu rozpočtu. Další informace jsou dostupné na www.mt.com/service.

Zde jsou některé důležité informace, které maximalizují výkon vaší investice:

- 1 **Registrujte svůj produkt:** Zveme vás k registraci vašeho produktu na www.mt.com/productregistration a budeme vám zasílat upozornění na zlepšení, aktualizace a důležitá sdělení týkající se vašeho produktu.
- 2 **V záležitostech servisu se obraťte na METTLER TOLEDO:** Hodnota měření je úměrná jeho přesnosti – váha, která je mimo specifikaci, může snížit kvalitu, snížit výnosy a zvýšit nutnou odpovědnost. Včasný servis prováděný firmou METTLER TOLEDO zajistí přesnost a optimalizuje dobu bezporuchového chodu a životnost zařízení.
 - ➔ **Instalace, konfigurace, integrace a školení:** Naši servisní zástupci jsou odborníci na vážicí zařízení školení ve výrobě. Zajistíme, aby vaše vážicí zařízení bylo připraveno pro produkci, a to nákladově efektivním způsobem a v časově přijatelném termínu, a osoby byly vyškoleny k dosažení úspěchu.
 - ➔ **Dokumentace výchozí kalibrace:** Prostředí instalace a požadavky aplikace jsou pro každou průmyslovou váhu jedinečné, a proto musí být její výkon testován a certifikován. Naše kalibrační servisy a certifikáty dokumentují přesnost, aby byla zajištěna kvalita produkce, a poskytují záznam o kvalitě výkonu systému.
 - ➔ **Periodická údržba kalibrace:** Smlouva o kalibračním servisu zajišťuje dodávání průběžných informací k vašemu procesu vážení a dokumentaci o shodě s požadavky. Nabízíme různé varianty servisních schémat, které jsou naplánovány tak, aby vyhovovaly vašim potřebám a byly přizpůsobeny vašemu rozpočtu.

1	Bezpečnostní pokyny	3
1.1	Použití v souladu s určením	3
1.2	Použití v rozporu s určením	3
1.3	Bezpečnostní opatření	3
1.4	Specifické podmínky používání	3
2	Úvod	4
2.1	Sortiment	4
2.2	O této příručce	4
2.3	Další dokumenty	4
3	Instalace a činnost	5
3.1	Připojení váhové plošiny k váhovému terminálu	5
3.2	Vyrovnaní	6
3.3	Ekvipotenciální spojení	6
3.4	Kontrola váhové plošiny	6
3.5	Ovládání váhové plošiny	7
3.6	Instalace, konfigurace, servis a opravy	7
4	Údržba	8
4.1	Poznámky k čištění	8
4.2	Dodatečné ošetření	8
4.3	Likvidace	8
5	Opravy	9
6	Technické údaje a hranice montáže	10
6.1	Maximální interval ověření váhy	10
6.2	Maximální povolené zatížení	10
6.3	Technické údaje tenzometrického snímače	11
6.3.1	Homologace nevýbušného provedení	11
6.3.2	Norma uvádějící požadavky na shodnost tenzometrického snímače	11
6.4	Rozměry	13
6.5	Informace o kapacitě pro předběžné zatížení	14
6.5.1	Tabulka předběžného zatížení v kg	15
6.5.2	Tabulka předběžného zatížení v librách	17
6.6	Příslušenství	19
7	Montážní možnosti	20
8	Dodatek	21
8.1	Etiketa	21
8.2	Kontrolní výkres	22
8.3	Montážní výkres	23

1 Bezpečnostní pokyny

1.1 Použití v souladu s určením

PBA639(x/xx) Váhové plošiny jsou součástí modulárního vážicího systému skládajícího se z váhového terminálu METTLER TOLEDO jako zobrazovací jednotky a nejméně jedné váhové plošiny.

- Váhovou plošinu používejte výhradně k vážení v souladu s touto příručkou.
- Váhová plošina je určena výhradně pro použití v interiéru.
- Pouze PBA639x/xx váhové plošiny jsou vhodné k použití v nebezpečném prostředí, jak je uvedeno níže.
- Všechny ostatní způsoby použití jsou považovány za použití v rozporu s určením.

Právní metrologie

- Pro použití v právní metrologii používejte jen schválené váhové plošiny.
- Při použití v právní metrologii je provádějící firma odpovědná za dodržování všech národních předpisů vztahujících se na váhy a míry.
- S dotazy souvisejícími s použitím v obchodních aplikacích s povinným ověřením se laskavě obraťte na servisní organizaci firmy METTLER TOLEDO.

1.2 Použití v rozporu s určením

- Nepoužívejte váhový terminál pro jiné operace než pro operace vážení.
- Do not use the weighing platform in another environment than specified in the --- MISSING LINK ---.
- Neprovádějte úpravy váhové plošiny.
- Nepoužívejte váhový terminál nad hranicemi jeho technických specifikací.
- Nepoužívejte váhovou plošinu ke skladování zboží.
- Vyvarujte se pádu zboží na váhovou plošinu.

1.3 Bezpečnostní opatření

- Váhovou plošinu může instalovat a udržovat jen personál vyškolený a kvalifikovaný firmou METTLER TOLEDO.
- Při přepravě a zdvihání těžkých zařízení buďte opatrní.
- Před instalací, servisem, čištěním a prováděním údržby vždy odpojte váhovou plošinu od napájení.
- Připojovací kabel nesmí být od váhového terminálu odpojován v době, kdy je zapnutý přívod energie.
- Před zapnutím napájení se přesvědčte, že váhová plošina dosáhla teploty místnosti.
- PBA639x/xx váhové plošiny jsou schváleny pro následující nebezpečná prostředí:
 - ATEX/IECEx kategorie 2, kategorie 3, plyn/prach (zóna 1/21, zóna 2/22)
 - cFMus, Class I,II,III, Div. 1, Div. 2
- Jestliže jsou váhové plošiny používány v nebezpečných oblastech, existuje zvýšené riziko zranění a poškození! V takových oblastech musí být dodržována zvláštní opatření.
- V případě váhové plošiny PBA639x/xx použijte k zavedení kabelu tenzometrického snímače do váhového terminálu jen takové kabelové průchodky, které jsou vhodné a schválené pro použití v nebezpečných prostorách.
- Váhové plošiny chráněné proti výbušnému prostředí mohou být v nebezpečných oblastech použity jen ve spojení s váhovými terminály s příslušným schválením a s příslušnou specifikací rozhraní.

1.4 Specifické podmínky používání

- Ve výbušné atmosféře způsobené vzdušnou vlhkostí/prachem musí být volné konce kabelu připojeny mimo nebezpečný prostor nebo umístěny ve vhodném krytu se stupněm ochrany alespoň IP6X podle ČSN IEC EN 60529.

2 Úvod

2.1 Sortiment

Tato příručka se zaměřuje na řadu PBA639(x/xx).

Řada PBA639(x/xx) obsahuje výběr váhových plošin, které splňují vaše požadavky. Podléhá schválení a obsahuje různé velikosti a kapacity

Typ	Materiál úložné desky	Materiál rámu váhy	Konstrukce tenzometrického snímače	Stupeň krytí IP	Schválení pro nebezpečné prostředí
PBA639	Korozivzdorná ocel AISI304, volitelná / Korozivzdorná ocel AISI316L, volitelná / Korozivzdorná ocel AISI316L, otevřený tác, volitelná	Korozivzdorná ocel AISI304	Korozivzdorná ocel, hermeticky uzavřená	Suché, mokré prostředí, IP68/IP69K	-
PBA639x					Zóna 1/21, Div 1
PBA639xx					Zóna 2/22, Div 2

2.2 O této příručce



Tato příručka obsahuje veškeré informace pro obsluhu výrobku.

- Před použitím si příručku pečlivě přečtěte.
- Uchovejte ji pro budoucí použití.
- Předajte ji budoucímu vlastníkovu nebo uživateli výrobku.

2.3 Další dokumenty

Kromě této tištěné příručky si můžete na ► www.mt.com stáhnout následující dokumenty:

- Brožura
- Informace o instalaci (pro vyškolený personál pod kontrolou provozující společnosti)
- Typové schvalovací dokumenty

Certifikáty ke stažení

Certifikáty pro USA a Kanadu a dále certifikáty ATEX, UKEX a IECEx lze stáhnout na adrese ► <https://www.mt.com/us/en/home/search/compliance.html/compliance/>.

3 Instalace a činnost

3.1 Připojení váhové plošiny k váhovému terminálu

PBA639(x/xx) váhových plošin jsou navrženy pro použití s analogovými váhovými terminály METTLER TOLEDO.

- 1 Kabel váhové plošiny zavedte přes kabelovou průchodku do váhového terminálu.
- 2 Připojte kabel váhové plošiny ke svorkovnici váhového terminálu podle následující tabulky.

Signál	Barva vodičů	Konektor
SIG+	Bílý	AČE SE ŠESTIVODIČOVÝM Z TENZOMETRICKÝ SNÍMAČ NEBO SPOJOVACÍ
SIG-	Červený	
EXC+	Zelený	
EXC-	Černý	
SEN+	Žlutý	
SEN-	Modrý	



VAROVÁNÍ

Stínění kabelu musí být uzemněno.

Bezpečnostní opatření pro zapojení

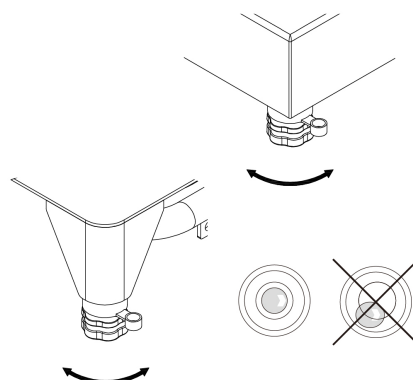
- Při zapojování váhové plošiny v nebezpečném prostředí je bezpodmínečně nutné dodržovat požadavky uvedené ve výkresu v části [Dodatek ▶ strana 21].
- Laskavě se seznamte se zvláštními podmínkami bezpečného používání uvedenými ve výkresové dokumentaci a certifikátech v části [Dodatek ▶ strana 21].
- Stínění kabelu je připojeno k pružnému prvku tenzometrického snímače (těleso tenzometrického snímače). Zvažte vhodné spojení mezi tenzometrickým snímačem a svorkovnicí (nebo spojovací skříní) v souladu s požadavky na instalaci.
- Odpor mezi všemi bezpečnostními zemními spoji a zemnicí elektrodou systému nesmí být větší než 1 Ohm.
- Instalace musí být provedena podle norem pro montáž elektrických zařízení.
- Nedodržení tohoto návodu může ovlivnit výbušnou bezpečnost.

3.2 Vyrovnání

Jen váhová plošina, která je přesně vyrovnána do vodorovné roviny může dodávat přesné výsledky vážení. Váhová plošina musí být vyrovnána během počáteční instalace a při každé změně umístění.

- 1 Otáčejte stavitelnou patkou váhové plošiny, až hladina alkoholu v indikátoru nivelity bude ve vnitřním kruhu.
- 2 Utáhněte pojistné matice stavitelné patky.

👉 Naskenujte QR kód a podívejte se na video

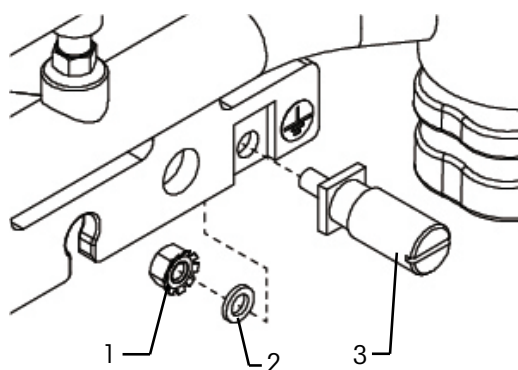


3.3 Ekvipotenciální spojení

Ekvipotenciální spojení pro PBA639x/xx váhové plošiny je namontováno ve výrobě. Elektrická instalace musí být provedena profesionálním elektromechanikem v sídle zákazníka. Servis METTLER TOLEDO zde má jen monitorovací a konzultační funkci. Připojte ekvipotenciální spojení (PA) všech zařízení (váhová plošina a váhový terminál) v souladu s předpisy a standardy dané země. Během provozu se ujistěte, že všechna zařízení jsou připojena ke stejnému potenciálu, a to prostřednictvím svorkovnice PA.

Poznámka

Zařízení je vybaveno ochranou proti zasažení elektrickým proudem podle ČSN IEC 60950, třída II.



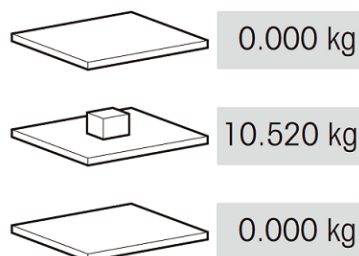
- 1 - Šestihránná pojistná matice M4 KEPS
- 2 - Podložka
- 3 - Ekvipotenciální svorka, utahovací moment 3,5 Nm

Obj. č. ekvipotenciální sady
72237321

3.4 Kontrola váhové plošiny

Kontrola funkce

- 1 Přesvědčte se, že je váhová plošina připojena k váhovému terminálu a že je váhový terminál zapnutý.
- 2 Přesvědčte se, že je váhová plošina nezatížená a na displeji váhového terminálu se zobrazuje hodnota 0.
- 3 Uložte zátěž na váhovou plošinu. Na váhovém terminálu se musí zobrazit hodnota odlišná od 0.
- 4 Sejměte zátěž z váhové plošiny. Váhový terminál se musí vrátit na 0.



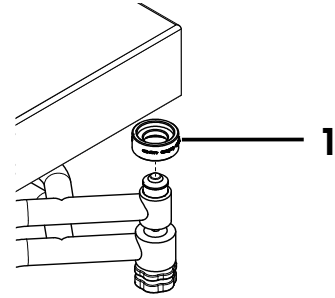
Ověřovací test

Informace o ověřovacím testu najdete v příručce uživatele pro připojený váhový terminál. Jestliže je ověřovací pečť porušena, není nadále ověření platné.

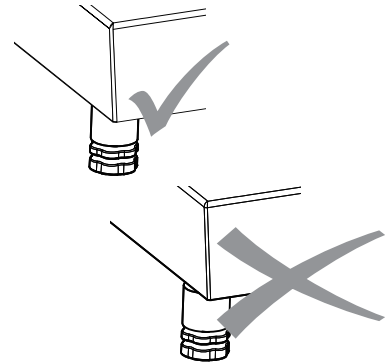
3.5 Ovládání váhové plošiny

For best weighing results, observe the following:

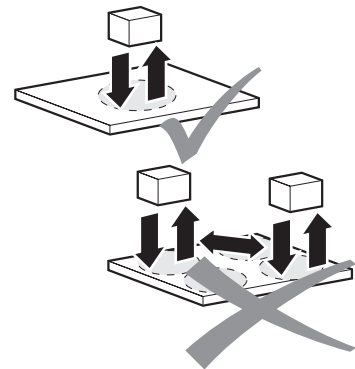
- Pokud je vážicí plošina dodávána s ochrannými podložkami (1) pod plátovou deskou, odstraňte před uvedením do provozu přepravní ochranné podložky.



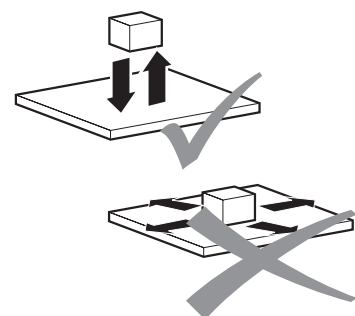
- Ujistěte se, že je nakládací deska správně umístěna.



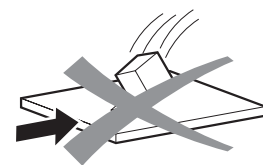
- K dosažení nejlepších výsledků vážení pokládejte vážený vzorek na váhovou plošinu vždy na stejné místo.



- Zabraňte působení abrazivních materiálů a materiálů způsobujících zvýšené opotřebení.



- Zabraňte pádu zátěže, úderům a bočním nárazům.



3.6 Instalace, konfigurace, servis a opravy

Za účelem instalace, konfigurace, servisu a oprav váhových plošin povolejte servis firmy METTLER TOLEDO.

4 Údržba

4.1 Poznámky k čištění

Poznámka

Hrozí poškození váhové plošiny v důsledku použití nesprávných čisticích prostředků.

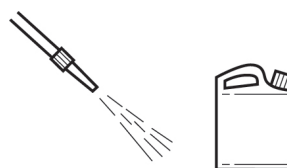
- Používejte výhradně dezinfekční a čisticí prostředky podle pokynů výrobce.
- Nepoužívejte vysoce kyselé, vysoce alkalické nebo vysoce chlorované prostředky. Vyvarujte se použití substancí s vysokou nebo nízkou hodnotou pH, protože jinak existuje zvýšené nebezpečí působení koroze.
- Obzvláště opatrní buďte při čištění tenzometrického snímače.

Postup čištění

- V pravidelných intervalech odstraňujte nečistoty a usazeniny z vnějšího a vnitřního povrchu váhové plošiny.
 - ➔ Postup závisí na typu povrchu a na podmínkách prostředí obvyklých v místě instalace.

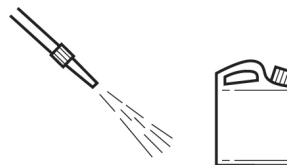
Čištění v vlhkém prostředí (verze z korozi-vzdorné oceli)

- Použijte paprsek vody o teplotě do 80 °C / 176 °F a tlaku max. 80 barů při minimální vzdálenosti 40 cm / 16".
- Používejte čisticí prostředky pro domácnost.



Čištění v korozivním prostředí (verze z korozi-vzdorné oceli)

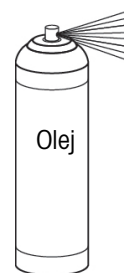
- Používejte vodní paprsek.
 - Vnitřní čištění**, tenzometrický snímač, úložná deska otevřená: až do 60 °C / 140 °F a max. 2 bar, min. vzdálenost 40 cm / 16".
 - Vnější čištění**, úložná deska zavřená: do 80 °C / 176 °F a max. 80 bar, min. vzdálenost 40 cm / 16".
- V pravidelných intervalech odstraňujte žíravinu.
- Používejte výhradně dezinfekční a čisticí prostředky v souladu se specifikacemi a pokyny výrobce



4.2 Dodatečné ošetření

Provedte následující dodatečné ošetření, aby byla váha chráněna:

- Opláchněte váhu čistou vodou a zcela odstraňte čisticí prostředek.
- Osušte váhu utěrkou neuvolňující vlákna.
- U vah z korozi-vzdorné oceli ošetřete vnitřek a vnějšek olejem vhodným pro potravinářství.



4.3 Likvidace

Podle evropské směrnice 2012/19/EU o elektrickém a elektronickém odpadu (WEEE - Waste Electrical and Electronic Equipment) nesmí být tento přístroj likvidován jako domácí odpad. Toto pravidlo se na základě místních předpisů uplatňuje také v zemích, které nejsou členskými státy EU.

Toto zařízení prosím likvidujte v souladu s platnými místními předpisy v zařízeních pro odběr elektrických a elektronických zařízení. V případě dotazů se prosím obraťte na příslušný úřad nebo na distributora, od kterého jste si toto zařízení poříдили. Pokud by toto zařízení bylo postoupeno jiným osobám, je třeba je též informovat o obsahu tohoto pokynu.



5 Opravy

Toto zařízení je certifikováno pro použití v nebezpečných prostorech, a proto nejsou povoleny žádné úpravy. Opravy smí provádět pouze personál speciálně vyškolený pro opravy tohoto zařízení.

6 Technické údaje a hranice montáže

6.1 Maximální interval ověření váhy

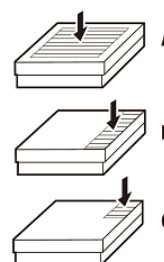
Max. interval ověření váhy [e] / OIML	Kapacita							
	3 kg	6 kg	15 kg	30 kg	60 kg	150 kg	300 kg	600 kg
2 x 3000e MR	-	3 / 0.001	6 / 0.002	15 / 0.005	30 / 0.01	60 / 0.02	150 / 0.05	300 / 0.1
Max / e [kg]	-	6 / 0.002	15 / 0.005	30 / 0.01	60 / 0.02	150 / 0.05	300 / 0.1	600 / 0.2

Max. interval ověření váhy [d] / NTEP	Kapacita							
	-	10 lb	25 lb	50 lb	100 lb	250 lb	500 lb	1000 lb
1 x 5000d Max / d [lb]	-	10 / 0.002	25 / 0.005	50 / 0.01	100 / 0.02	250 / 0.05	500 / 0.1	1000 / 0.2

6.2 Maximální povolené zatížení

Všechny váhové plošiny jsou vybaveny ochranou proti přetížení. Díky robustní konstrukci váhy můžete příležitostně překročit jmenovitou kapacitu plošiny bez poškození. Maximální bezpečná statická zátěž nesmí být nikdy překročena.

- Dodržujte následující hranice činnosti.



Model	A - Centrální zatížení	B- Boční zatížení	C- Rohové zatížení
PBA639(x/xx)-QA	50 kg / 110 lb	35 kg / 77 lb	20 kg / 44 lb
PBA639(x/xx)-A	50 kg / 110 lb	35 kg / 77 lb	20 kg / 44 lb
PBA639(x/xx)-QB	120 kg / 265 lb	80 kg / 176 lb	40 kg / 88 lb
PBA639(x/xx)-BB	120 kg / 265 lb	80 kg / 176 lb	40 kg / 88 lb
PBA639(x/xx)-B	220 kg / 485 lb	150 kg / 331 lb	80 kg / 176 lb
PBA639(x/xx)-BC	450 kg / 992 lb	350 kg / 772 lb	180 kg / 397 lb
PBA639(x/xx)-CC	750 kg / 1653 lb	400 kg / 882 lb	200 kg / 440 lb



VAROVÁNÍ

Vyvarujte se padání a nárazů zátěže stejně jako bočních nárazů.

6.3 Technické údaje tenzometrického snímače

Jmenovitý výstup	mV/V	1,8 ± 0,2
Vstupní odpor	Ω	384 ± 15
Výstupní odpor	Ω	350 ± 4
Doporučené napětí	V (DC / AC)	5 - 15
Max. vybuzené napětí	V (DC / AC)	20
Plášť kabelu	-	PVC
Stupeň krytí IP	-	IP68/IP69K

6.3.1 Homologace nevýbušného provedení

Tato část uvádí pouze informace důležité z hlediska vlastností výrobku.

Pro tenzometrický snímač SLP84x(x=6,7,8) byly vydány následující certifikáty:

Certifikát ATEX	FM21ATEX0003X, FM21ATEX0025X
Certifikát pro Velkou Británii	FM21UKEX0079X, FM21UKEX0080X
Certifikát IECEx	IECEx FMG21.0003X
Certifikát pro USA	FM21US0005X
Certifikát pro Kanadu	FM21CA0002X

Certifikáty uvedené nahoře a související montážní výkresy naleznete v části [Dodatek ▶ strana 21].

6.3.2 Norma uvádějící požadavky na shodnost tenzometrického snímače

Normy USA

Název	Číslo	Datum vydání
Electrical Equipment for Use in Hazardous (Classified) Locations – General Requirements	FM třída 3600	2018
Intrinsically Safe Apparatus and Associated Apparatus for Use in Class I, II, and III, Division 1, Hazardous (Classified) Locations	FM třída 3610	2021
Nonincendive Electrical Equipment for Use in Class I and II, Division 2, and Class III, Divisions 1 and 2, Hazardous (Classified) Locations	FM třída 3611	2021
Electrical Equipment for Measurement, Control and Laboratory Use	FM třída 3810	2021
Explosive atmospheres - Part 0: Equipment - General requirements	ANSI/UL 60079-0	2019
Explosive atmospheres – Part 11: Equipment protection by intrinsic safety "i"	ANSI/ISA 60079-11	2014
Nonincendive electrical equipment for use in Class I and II, Division 2 and Class III, Divisions 1 and 2 hazardous (classified) locations	ANSI/UL 121201	2017
Safety Requirements for Electrical Equipment for Measurement, Control, and Laboratory Use – Part 1: Všeobecné požadavky	ANSI/UL 61010-1	2012
Degrees of Protection Provided by Enclosures (IP Code)	ANSI/IEC 60529	2020

Kanadské normy

Název	Číslo	Datum vydání
Non-Incendive Electrical Equipment for use in Class I, Division 2 Hazardous Locations	CSA C22.2 č. 213	2017
Explosive atmospheres - Part 0: Equipment - General requirements	CAN/CSA-C22.2 č. 60079-0	2019
Explosive atmospheres - Part 11: Equipment protection by intrinsic safety "i"	CAN/CSA-C22.2 č. 60079-11	2014
Explosive atmospheres - Part 7: Equipment protection by increased safety "e"	CAN/CSA-C22.2 č. 60079-7	2018
Explosive atmospheres - Part 31: Equipment dust ignition protection by enclosure "t"	CAN/CSA-C22.2 č. 60079-31	2015

Název	Číslo	Datum vydání
Safety Requirements for Electrical Equipment for Measurement, Control, and Laboratory Use – Part 1: Všeobecné požadavky	CSA C22.2 č. 61010-1	2012
Degrees of Protection Provided by Enclosures (IP Code)	CSA C22.2 č. 60529	2016

IECEx Standards

Název	Číslo	Datum vydání
Explosive atmospheres - Part 0: Equipment - General requirements	IEC 60079-0	2017
Explosive atmospheres - Part 11: Equipment protection by intrinsic safety "i"	IEC 60079-11	2011
Explosive atmospheres - Part 7: Equipment protection by increased safety "e"	IEC 60079-7	2017
Explosive atmospheres - Part 31: Equipment dust ignition protection by enclosure "t"	IEC 60079-31	2013
Degrees of Protection Provided by Enclosures (IP Code)	IEC 60529	2013

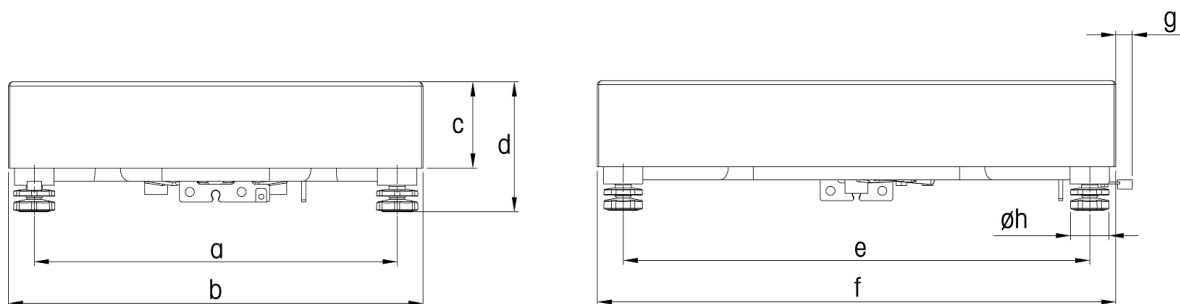
ATEX Standards

Název	Číslo	Datum vydání
Explosive atmospheres - Part 0: Equipment - General requirements	ČSN EN IEC 60079-0	2018
Výbušné atmosféry - Část 11: Ochrana zařízení jiskrovou bezpečností "i"	ČSN EN 60079-11	2012
Výbušné atmosféry - Část 7: Ochrana zařízení jiskrovou bezpečností "e"	ČSN EN 60079-7	2015 +A1:2018
Výbušné atmosféry - Část 31: Zařízení chráněné proti vznícení prachu závěrem "t"	ČSN EN 60079-31	2014
Stupně ochrany krytem (IP kód)	EN 60529	1991 + A1:2000 + A2:2013

Normy UKEX

Název	Číslo	Datum vydání
Výbušné atmosféry - Část 0: Zařízení - Obecné požadavky	ČSN EN IEC 60079-0	2018
Výbušné atmosféry - Část 11: Ochrana zařízení jiskrovou bezpečností "i"	ČSN EN 60079-11	2012
Výbušné atmosféry - Část 7: Ochrana zařízení jiskrovou bezpečností "e"	ČSN EN 60079-7	2015 +A1:2018
Výbušné atmosféry - Část 31: Zařízení chráněné proti vznícení prachu závěrem "t"	ČSN EN 60079-31	2014
Stupně ochrany krytem (IP kód)	EN 60529	1991 + A1:2000 + A2:2013

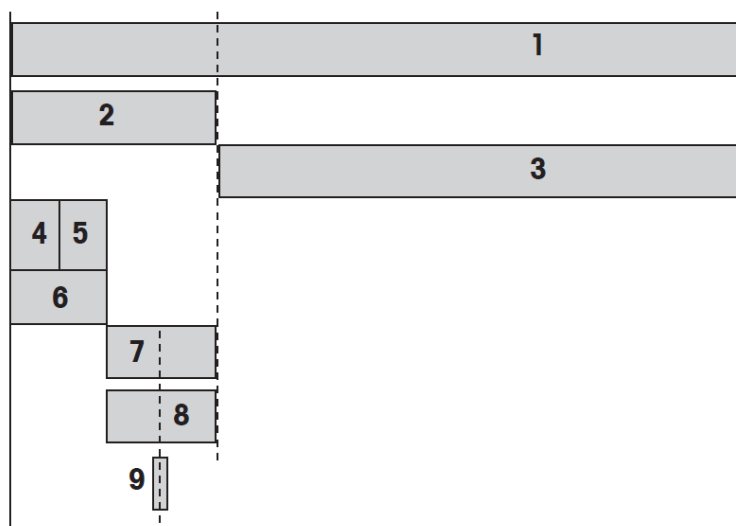
6.4 Rozměry



Rozměry		a	b	c	d *	e	f	g	h
PBA639(x/xx)-QA	mm	178	228	70	110	178	228	21	40
	palce	7,01	8,98	2,76	4,33	7,01	8,98	0,83	1,57
PBA639(x/xx)-A	mm	190	240	70	110	250	300	21	40
	palce	7,48	9,45	2,76	4,33	9,84	11,81	0,83	1,57
PBA639(x/xx)-QB	mm	255	305	70	110	255	305	21	40
	palce	10,04	12,01	2,76	4,33	10,04	12,01	0,83	1,57
PBA639(x/xx)-BB	mm	250	300	70	110	350	400	21	40
	palce	9,84	11,81	2,76	4,33	13,78	15,75	0,83	1,57
PBA639(x/xx)-B	mm	350	400	83	126	450	500	21	40
	palce	13,78	15,75	3,27	4,96	17,72	19,69	0,83	1,57
PBA639(x/xx)-BC	mm	450	500	90	134	600	650	21	40
	palce	17,72	19,69	3,54	5,28	23,62	25,59	0,83	1,57
PBA639(x/xx)-CC	mm	550	600	90	134	750	800	21	40
	palce	21,65	23,62	3,54	5,28	29,53	31,50	0,83	1,57
PBA639(x/xx)-CC600	mm	550	600	94	140,5	750	800	21	40
	palce	21,65	23,62	3,70	5,53	29,53	31,50	0,83	1,57

* : d= min. výška plošiny. Nastavitelné patky váhy umožňují zvětšit výšku plošiny o max. 5 mm / 0.20°.

6.5 Informace o kapacitě pro předběžné zatížení



1	Max. rozsah zatížení tenzometrického snímače (E_{max})
2	Max. předběžné zatížení = Max. rozsah zatížení 1 – Max. zatížení 3
3	Maximální zátěž = Max. rozsah zatížení 1 – Max. předběžné zatížení 2
4	Předběžné zatížení horní části
5	Vážicí miska pro předběžné zatížení
6	Předběžné zatížení při expedici z výrobního závodu = Předběžné zatížení horní části 4 + Vážicí miska pro předběžné zatížení 5
7	Mechanická rezerva pro předběžné zatížení = Max. předběžné zatížení 2 – Předběžné zatížení při expedici z výrobního závodu 6
8	Lze nastavit rozsah nastavení nuly (zapnutí). Rozsah nastavení nuly musí ležet v rámci maximálního předběžného zatížení. Rozsah nastavení nuly může činit max. 18 % maximálního zatížení.
9	Rozsah nastavení nuly ± 2 % max. zatížení

6.5.1 Tabulka předběžného zatížení v kg

PBA639(x/xx) se standardním táčem (304 / 316L)

Typ	Rozměry [mm]	Max. zatížení (3)	Předběžné zatížení horní části (4)	Vážící miska pro předběžné zatížení (5)	Předběžné zatížení při expedici z výrobního závodu (6)	Mechanická rezerva pro předběžné zatížení (7)	Rozsah nastavení nuly (8)	Max. rozsah zatížení (1)
PBA639(x/xx)-QA3	228x228	3	0,71	1,90	2,61	5,39	0,54	11
PBA639(x/xx)-QA6	228x228	6	0,71	1,90	2,61	2,39	1,08	11
PBA639(x/xx)-A3	240x300	3	0,80	2,40	3,20	4,80	0,54	11
PBA639(x/xx)-A6	240x300	6	0,80	2,40	3,20	1,80	1,08	11
PBA639(x/xx)-A15	240x300	15	0,80	2,40	3,20	3,80	2,70	22
PBA639(x/xx)-QB15	305x305	15	1,42	2,80	4,22	2,78	2,70	22
PBA639(x/xx)-QB30	305x305	30	1,42	2,80	4,22	25,78	5,40	60
PBA639(x/xx)-QB60	305x305	60	1,42	2,80	4,22	35,78	10,80	100
PBA639(x/xx)-BB30	300x400	30	2,00	3,50	5,50	24,50	5,40	60
PBA639(x/xx)-BB60	300x400	60	2,00	3,50	5,50	34,50	10,80	100
PBA639(x/xx)-B30	400x500	30	3,99	5,50	9,49	20,51	5,40	60
PBA639(x/xx)-B60	400x500	60	3,99	5,50	9,49	30,51	10,80	100
PBA639(x/xx)-B150	400x500	150	3,99	5,50	9,49	40,51	27,00	200
PBA639(x/xx)-BC60	500x650	60	6,93	8,40	15,33	24,67	10,80	100
PBA639(x/xx)-BC150	500x650	150	6,93	8,40	15,33	84,67	27,00	250
PBA639(x/xx)-BC300	500x650	300	6,93	8,40	15,33	184,67	54,00	500
PBA639(x/xx)-CC60	600x800	60	10,53	11,50	22,03	17,97	10,80	100
PBA639(x/xx)-CC150	600x800	150	10,53	11,50	22,03	77,97	27,00	250
PBA639(x/xx)-CC300	600x800	300	10,53	11,50	22,03	177,97	54,00	500
PBA639(x/xx)-CC600	600x800	600	10,53	14,70	25,23	124,77	108,00	750

PBA639(x/xx) s otevřeným táčem (304 / 316L)

Typ	Rozměry [mm]	Max. zatížení (3)	Předběžné zatížení horní části (4)	Vážící miska pro předběžné zatížení (5)	Předběžné zatížení při expedici z výrobního závodu (6)	Mechanická rezerva pro předběžné zatížení (7)	Rozsah nastavení nuly (8)	Max. rozsah zatížení (1)
PBA639(x/xx)-QA3	228x228	3	0,71	1,20	1,91	6,09	0,54	11
PBA639(x/xx)-QA6	228x228	6	0,71	1,20	1,91	3,09	1,08	11
PBA639(x/xx)-A3	240x300	3	0,80	1,50	2,30	5,70	0,54	11
PBA639(x/xx)-A6	240x300	6	0,80	1,50	2,30	2,70	1,08	11
PBA639(x/xx)-A15	240x300	15	0,80	1,50	2,30	4,70	2,70	22
PBA639(x/xx)-QB15	305x305	15	1,42	1,80	3,22	3,78	2,70	22
PBA639(x/xx)-QB30	305x305	30	1,42	1,80	3,22	26,78	5,40	60
PBA639(x/xx)-QB60	305x305	60	1,42	1,80	3,22	36,78	10,80	100
PBA639(x/xx)-BB30	300x400	30	2,00	2,30	4,30	25,70	5,40	60
PBA639(x/xx)-BB60	300x400	60	2,00	2,30	4,30	35,70	10,80	100
PBA639(x/xx)-B30	400x500	30	3,99	5,60	9,59	20,41	5,40	60
PBA639(x/xx)-B60	400x500	60	3,99	5,60	9,59	30,41	10,80	100

Typ	Rozměry [mm]	Max. zatížení (3)	Předběžné zatížení horní části (4)	Vážící miska pro předběžné zatížení (5)	Předběžné zatížení při expedici z výrobního závodu (6)	Mechanická rezerva pro předběžné zatížení (7)	Rozsah nastavení nuly (8)	Max. rozsah zatížení (1)
PBA639(x/xx)-B150	400x500	150	3,99	5,60	9,59	40,41	27,00	200

PBA639(x/xx) bez tácu

Typ	Rozměry [mm]	Max. zatížení (3)	Předběžné zatížení horní části (4)	Vážící miska pro předběžné zatížení (5)	Předběžné zatížení při expedici z výrobního závodu (6)	Mechanická rezerva pro předběžné zatížení (7)	Rozsah nastavení nuly (8)	Max. rozsah zatížení (1)
PBA639(x/xx)-QA3	228x228	3	0,71	0	0,71	7,286	0,54	11
PBA639(x/xx)-QA6	228x228	6	0,71	0	0,71	4,29	1,08	11
PBA639(x/xx)-A3	240x300	3	0,80	0	0,80	7,20	0,54	11
PBA639(x/xx)-A6	240x300	6	0,80	0	0,80	4,20	1,08	11
PBA639(x/xx)-A15	240x300	15	0,80	0	0,80	6,20	2,70	22
PBA639(x/xx)-QB15	305x305	15	1,42	0	1,42	5,58	2,70	22
PBA639(x/xx)-QB30	305x305	30	1,42	0	1,42	28,58	5,40	60
PBA639(x/xx)-QB60	305x305	60	1,42	0	1,42	38,58	10,80	100
PBA639(x/xx)-BB30	300x400	30	2,00	0	2,00	28,00	5,40	60
PBA639(x/xx)-BB60	300x400	60	2,00	0	2,00	38,00	10,80	100
PBA639(x/xx)-B30	400x500	30	3,99	0	3,99	26,01	5,40	60
PBA639(x/xx)-B60	400x500	60	3,99	0	3,99	36,01	10,80	100
PBA639(x/xx)-B150	400x500	150	3,99	0	3,99	46,01	27,00	200
PBA639(x/xx)-BC60	500x650	60	6,93	0	6,93	33,07	10,80	100
PBA639(x/xx)-BC150	500x650	150	6,93	0	6,93	93,07	27,00	250
PBA639(x/xx)-BC300	500x650	300	6,93	0	6,93	193,07	54,00	500
PBA639(x/xx)-CC60	600x800	60	10,53	0	10,53	29,47	10,80	100
PBA639(x/xx)-CC150	600x800	150	10,53	0	10,53	89,47	27,00	250
PBA639(x/xx)-CC300	600x800	300	10,53	0	10,53	189,47	54,00	500
PBA639(x/xx)-CC600	600x800	600	10,53	0	10,53	139,47	108,00	750

6.5.2 Tabulka předběžného zatížení v librách

PBA639(x/xx) se standardním táčem (304 / 316L)

Typ	Rozměry [palce]	Max. zatížení (3)	Předběžné zatížení horní části (4)	Vážicí miska pro předběžné zatížení (5)	Předběžné zatížení při expedici z výrobního závodu (6)	Mechanická rezerva pro předběžné zatížení (7)	Rozsah nastavení nuly (8)	Max. rozsah zatížení (1)
PBA639(x/xx)-QA6	9x9	10	1,57	4,19	5,76	8,49	1,8	24
PBA639(x/xx)-A6	9,5x11,8	10	1,75	5,29	7,05	7,20	1,8	24
PBA639(x/xx)-A15	9,5x11,8	25	1,75	5,29	7,05	16,46	4,5	49
PBA639(x/xx)-QB15	12x12	25	3,13	6,17	9,30	14,20	4,5	49
PBA639(x/xx)-QB30	12x12	50	3,13	6,17	9,30	72,98	9,0	132
PBA639(x/xx)-QB60	12x12	100	3,13	6,17	9,30	111,16	18,0	220
PBA639(x/xx)-BB30	11,8x15,7	50	4,41	7,72	12,12	70,15	9,0	132
PBA639(x/xx)-BB60	11,8x15,7	100	4,41	7,72	12,12	108,34	18,0	220
PBA639(x/xx)-B30	15,7x19,7	50	8,79	12,13	20,92	61,36	9,0	132
PBA639(x/xx)-B60	15,7x19,7	100	8,79	12,13	20,92	99,55	18,0	220
PBA639(x/xx)-B150	15,7x19,7	250	8,79	12,13	20,92	170,01	45,0	441
PBA639(x/xx)-BC60	19,7x25,6	100	15,27	18,52	33,79	86,67	18,0	220
PBA639(x/xx)-BC150	19,7x25,6	250	15,27	18,52	33,79	267,37	45,0	551
PBA639(x/xx)-BC300	19,7x25,6	500	15,27	18,52	33,79	568,52	90,0	1102
PBA639(x/xx)-CC60	23,6x29,5	100	23,21	25,35	48,56	71,90	18,0	220
PBA639(x/xx)-CC150	23,6x29,5	250	23,21	25,35	48,56	252,60	45,0	551
PBA639(x/xx)-CC300	23,6x29,5	500	23,21	25,35	48,56	553,75	90,0	1102
PBA639(x/xx)-CC600	23,6x29,5	1000	23,21	32,41	55,61	597,85	180,0	1653

PBA639(x/xx) s otevřeným táčem (304 / 316L)

Typ	Rozměry [palce]	Max. zatížení (3)	Předběžné zatížení horní části (4)	Vážicí miska pro předběžné zatížení (5)	Předběžné zatížení při expedici z výrobního závodu (6)	Mechanická rezerva pro předběžné zatížení (7)	Rozsah nastavení nuly (8)	Max. rozsah zatížení (1)
PBA639(x/xx)-QA6	9x9	10	1,57	2,65	4,22	10,03	1,8	24
PBA639(x/xx)-A6	9,5x11,8	10	1,75	3,31	5,06	9,19	1,8	24
PBA639(x/xx)-A15	9,5x11,8	25	1,75	3,31	5,06	18,44	4,5	49
PBA639(x/xx)-QB15	12x12	25	3,13	3,97	7,10	16,41	4,5	49
PBA639(x/xx)-QB30	12x12	50	3,13	3,97	7,10	75,18	9,0	132
PBA639(x/xx)-QB60	12x12	100	3,13	3,97	7,10	113,37	18,0	220
PBA639(x/xx)-BB30	11,8x15,7	50	4,41	5,07	9,48	72,80	9,0	132
PBA639(x/xx)-BB60	11,8x15,7	100	4,41	5,07	9,48	110,98	18,0	220
PBA639(x/xx)-B30	15,7x19,7	50	8,79	12,35	21,14	61,14	9,0	132
PBA639(x/xx)-B60	15,7x19,7	100	8,79	12,35	21,14	99,33	18,0	220
PBA639(x/xx)-B150	15,7x19,7	250	8,79	12,35	21,14	169,79	45,0	441

PBA639(x/xx) bez tácu

Typ	Rozměry [palce]	Max. zatížení (3)	Předběžné zatížení horní části (4)	Vážicí miska pro předběžné zatížení (5)	Předběžné zatížení při expedici z výrobního závodu (6)	Mechanická rezerva pro předběžné zatížení (7)	Rozsah nastavení nuly (8)	Max. rozsah zatížení (1)
PBA639(x/xx)-QA6	9x9	10	1,57	0,00	1,57	12,68	1,8	24
PBA639(x/xx)-A6	9,5x11,8	10	1,75	0,00	1,75	12,50	1,8	24
PBA639(x/xx)-A15	9,5x11,8	25	1,75	0,00	1,75	21,75	4,5	49
PBA639(x/xx)-QB15	12x12	25	3,13	0,00	3,13	20,37	4,5	49
PBA639(x/xx)-QB30	12x12	50	3,13	0,00	3,13	79,15	9,0	132
PBA639(x/xx)-QB60	12x12	100	3,13	0,00	3,13	117,33	18,0	220
PBA639(x/xx)-BB30	11,8x15,7	50	4,41	0,00	4,41	77,87	9,0	132
PBA639(x/xx)-BB60	11,8x15,7	100	4,41	0,00	4,41	116,06	18,0	220
PBA639(x/xx)-B30	15,7x19,7	50	8,79	0,00	8,79	73,49	9,0	132
PBA639(x/xx)-B60	15,7x19,7	100	8,79	0,00	8,79	111,67	18,0	220
PBA639(x/xx)-B150	15,7x19,7	250	8,79	0,00	8,79	182,13	45,0	441
PBA639(x/xx)-BC60	19,7x25,6	100	15,27	0,00	15,27	105,19	18,0	220
PBA639(x/xx)-BC150	19,7x25,6	250	15,27	0,00	15,27	285,89	45,0	551
PBA639(x/xx)-BC300	19,7x25,6	500	15,27	0,00	15,27	587,04	90,0	1102
PBA639(x/xx)-CC60	23,6x29,5	100	23,21	0,00	23,21	97,26	18,0	220
PBA639(x/xx)-CC150	23,6x29,5	250	23,21	0,00	23,21	277,95	45,0	551
PBA639(x/xx)-CC300	23,6x29,5	500	23,21	0,00	23,21	579,11	90,0	1102
PBA639(x/xx)-CC600	23,6x29,5	1000	23,21	0,00	23,21	630,26	180,0	1653

6.6 Příslušenství

Sloup

Obj. č.	Označení	Popis
30676281	Otevřený sloup 330 mm / 13"	Vhodný pro plošiny velikosti
30676282	Otevřený sloup 660 mm / 26"	Vhodný pro všechny plošiny velikosti
30676283	Otevřený sloup 900 mm / 35,4"	Vhodný pro všechny plošiny větší než rozměr A
30676284	Ozavřený sloup 330 mm / 13"	Vhodný pro plošiny velikosti
30676285	Ozavřený sloup 660 mm / 26"	Vhodný pro všechny plošiny velikosti
30676286	Ozavřený sloup 900 mm / 35,4"	Vhodný pro všechny plošiny větší než rozměr A

Vozík z korozivzdorné oceli

Obj. č.	Označení	Popis
72225939	Vozík z korozivzdorné oceli BC	Vhodný pro plošiny 500 × 650 mm
72225940	Vozík z korozivzdorné oceli CC	Vhodný pro plošiny 600 × 800 mm

Válečková dráha

Obj. č.	Označení	Popis
30253326	Válečková dráha 400 × 500 mm / 15.7" × 19.7" korozivzdorná ocel	Vhodná pro plošiny 400 × 500 mm. Doprava na krátkou stranu plošiny
30253328	Válečková dráha 500 × 650 mm / 19.7" × 25.6" korozivzdorná ocel	Vhodná pro plošiny 500 × 650 mm. Doprava na krátkou stranu plošiny
30253330	Válečková dráha 600 × 800 mm / 23.6" × 31.5" korozivzdorná ocel	Vhodná pro plošiny 600 × 800 mm. Doprava na krátkou stranu plošiny
30253327	Válečková dráha 400 × 500 mm / 15.7" × 19.7" korozivzdorná ocel	Vhodná pro plošiny 400 × 500 mm. Doprava na dlouhou stranu plošiny
30253329	Válečková dráha 500 × 650 mm / 19.7" × 25.6" korozivzdorná ocel	Vhodná pro plošiny 500 × 650 mm. Doprava na dlouhou stranu plošiny
30253331	Válečková dráha 600 × 800 mm / 23.6" × 31.5" korozivzdorná ocel	Vhodná pro plošiny 600 × 800 mm. Doprava na krátkou stranu plošiny
30640393	Válečková dráha 400 × 500 mm / 15.7" × 19.7" korozivzdorná ocel	Vhodná do nebezpečného prostředí
30640394	Válečková dráha 500 × 650 mm / 19.7" × 25.6" korozivzdorná ocel	Vhodná do nebezpečného prostředí
30640395	Válečková dráha 600 × 800 mm / 23.6" × 31.5" korozivzdorná ocel	Vhodná do nebezpečného prostředí

Přední montážní konzole

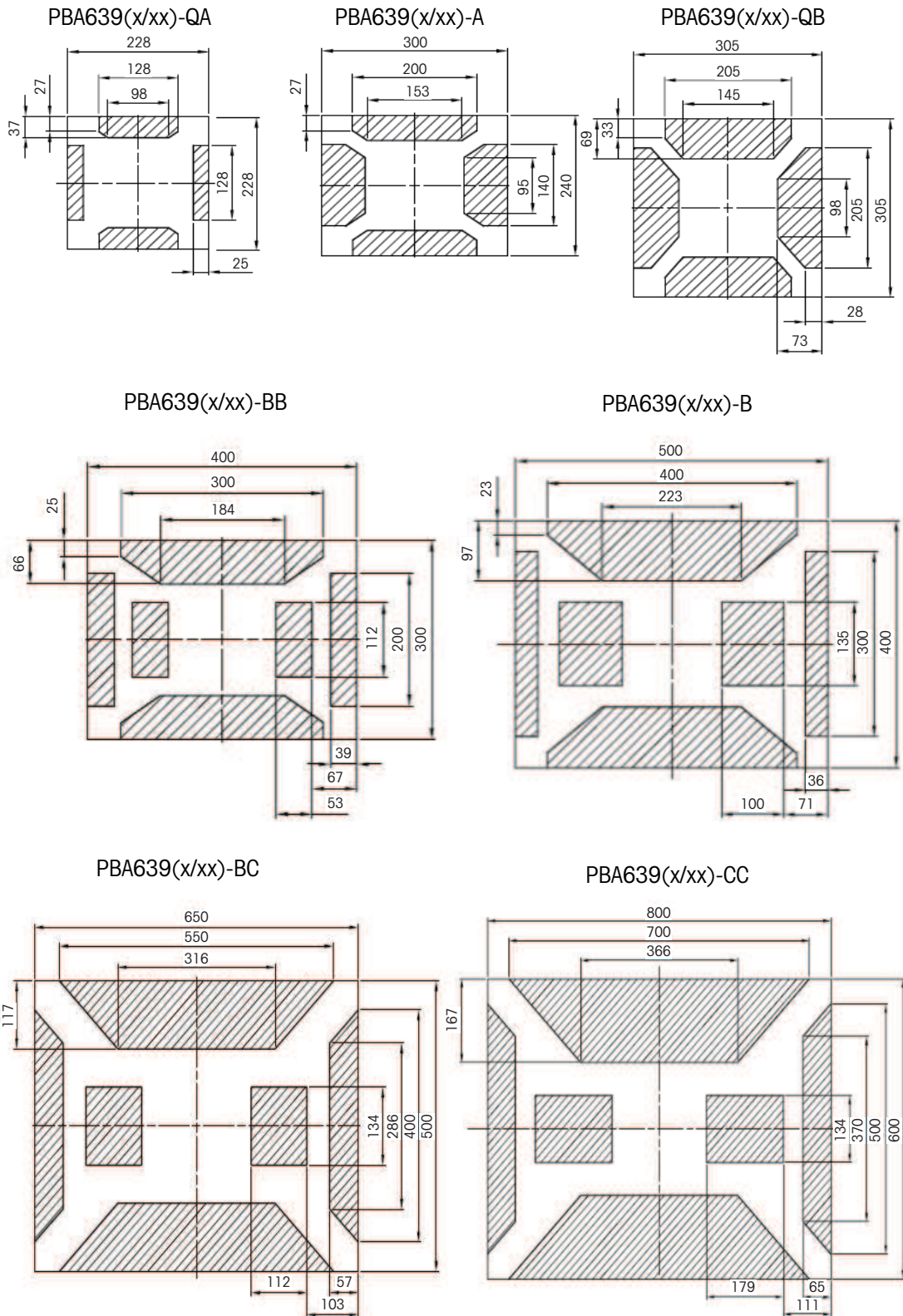
Obj. č.	Označení	Popis
30676290	Přední montážní konzole	Vhodná pro přední montáž ICS4_9
30676291	Přední montážní konzole	Vhodná pro přední montáž ICS689

7 Montážní možnosti

PBA639(x/xx) Je určen k montáži na stabilní zařízení. Pokud je nutné vyvrtat otvory do váhové plošiny, řiďte se obrázky uvedenými níže.




POZNÁMKA: Ve šrafovaných plochách je přípustné vyvrtat otvory do váhové plošiny.

Measured in [mm]







8 Dodatek

8.1 Etiketa

<p>IS CL I,II,III DIV 1, GP ABCDEFG T6...T4 Class I, Zone 1, AEx ia IIC T6...T4 Gb Class II,III, Zone21, AEx ia IIIC T80°C Db -40°C<Ta<60°C T5/T4; -40°C<Ta<40°C T6 FM21US0076X</p>		<p> II 2G Ex ia IIC T6...T4 Gb  II 2D Ex ia IIIC T80°C Db -40°C<Ta<60°C T5/T4 -40°C<Ta<40°C T6</p>

<p>IS CL I,II,III DIV 1, GP ABCDEFG T6...T4 Class I, Zone 1, Ex ia IIC T6...T4 Gb Class II,III, Zone21, Ex ia IIIC T80°C Db -40°C<Ta<60°C T5/T4; -40°C<Ta<40°C T6 FM21CA0051X</p>		<p>Entity/NIFW for NonIncendive Field Wiring. Entity parameters are shown in drawing 30688074 Mettler-Toledo GmbH, Im Langacher 44, 8606 Greifensee, Switzerland</p>

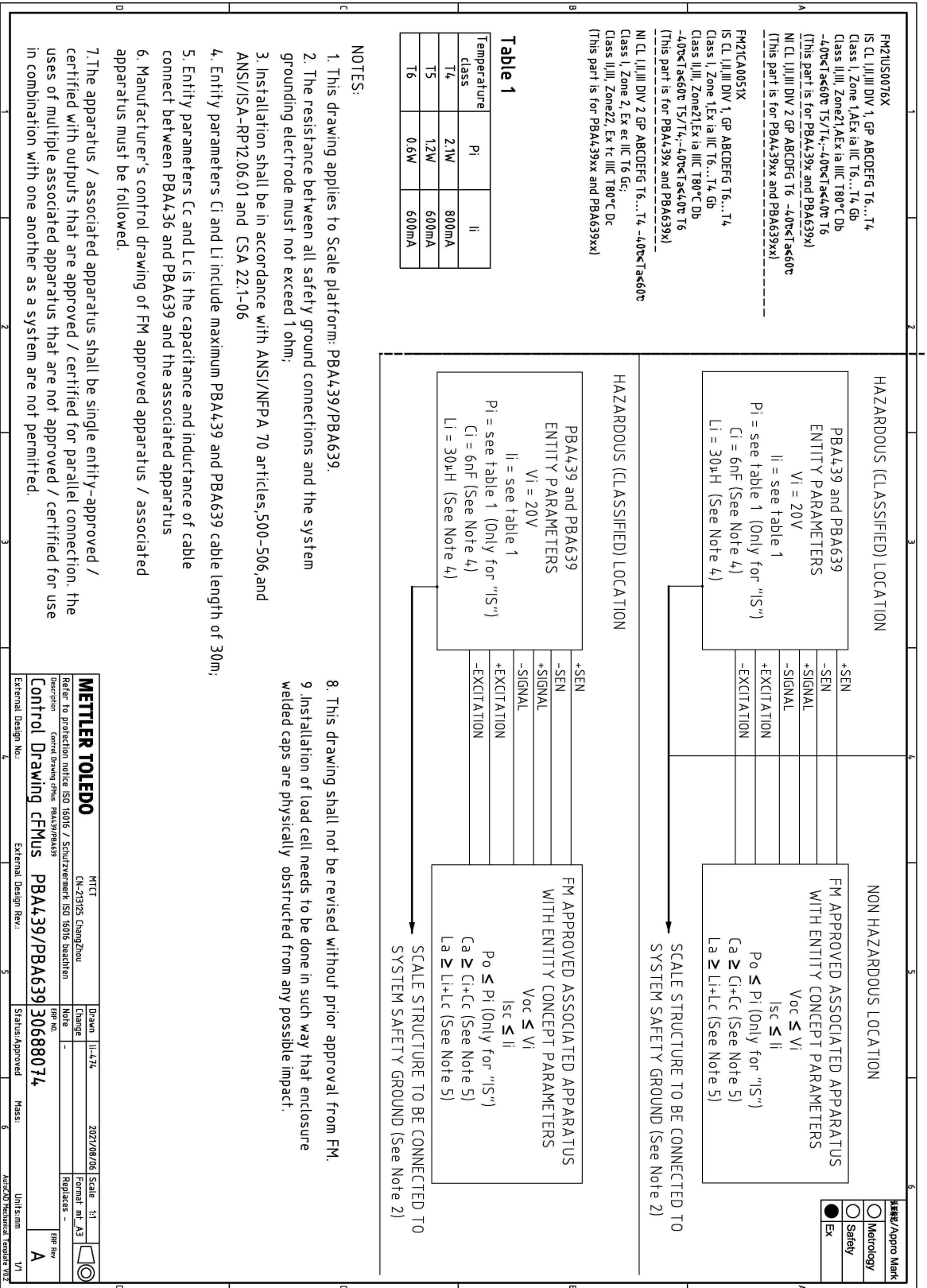
<p>NI CL I,II,III DIV 2 GP ABCDEFG T6 -40°C<Ta<60°C FM21US0076X</p>		<p> II 3G Ex ic IIC T6...T4 Gc -40°C<Ta<60°C T5/T4 -40°C<Ta<40°C T6</p>

<p>NI CL I,II,III DIV 2 GP ABCDEFG T6...T4 -40°C<Ta<60°C Class I, Zone 2, Ex ec IIC T6 Gc; Class II,III, Zone22, Ex tc IIIC T80°C Dc FM21CA0051X</p>		<p> II 3G Ex ec IIC T6 Gc U_{rated}=20V  II 3D Ex tc IIIC T80°C Dc I_{rated}=50mA -40°C<Ta<60°C</p>

		<p>Entity/NIFW for NonIncendive Field Wiring. Entity parameters are shown in drawing 30688074 Mettler-Toledo GmbH, Im Langacher 44, 8606 Greifensee, Switzerland</p>

2

8.2 Kontrolní výkres



8.3 Montážní výkres

Hazardous (Classified) Location

IP67 II 3G Ex ic IIC T6...T4 Gc
-40°C ≤ T_a ≤ 60°C T5/T4; -40°C ≤ T_a ≤ 40°C T6

II 3G Ex ec IIC T6 Gc -40°C ≤ T_a ≤ 60°C T6
II 3D Ex tc IIC T80°C Dc
FM21UKEX0080X
FM21ATEX0025X IECEX FMG21.0003X

II 2G Ex ia IIC T6...T4 Gb
-40°C ≤ T_a ≤ 60°C T5/T4; -40°C ≤ T_a ≤ 40°C T6

II 2D Ex ia IIC T80°C Db
FM21UKEX0079X
FM21ATEX0003X IECEX FMG21.0003X

Approval Mark

THIS ITEM IS PART OF AGENCY APPROVED PRODUCT

Metrology
 Safety
 Ex

DO NOT CHANGE DOCUMENT WITHOUT APPROPRIATE APPROVAL

SLP84x Load Cell

U_i = 20V
I_i = see table 2
P_i = see table 2
C_i = 6nF
L_i = 30uH

Ex Approved Associated Apparatus with Entity Concept Parameters

U_o ≤ U_i
I_o ≤ I_i
P_o ≤ P_i
C_o ≥ C_c+C_i
L_o ≥ L_c+L_i

Scale structure (attached to load cell) to be connected to system safety ground. See Note.

NOTES:

- The resistance between all safety ground connections and the system grounding electrode must not exceed 1ohm.
- Installation shall be in accordance with relevant electrical installation standards (Being shown in Table 1) in hazardous areas (other than mines).
- Entity Parameters C_i And L_i Include Maximum Load Cell Cable Length Of 30m
- Entity Parameters C_c and L_c is the capacitance and inductance of cable connect between load cell and the associated apparatus.
- In an explosive atmosphere caused by air/dust mixtures, the loose ends of the cable shall be connected outside the hazardous area or in a suitable enclosure with a degree of protection of at least IP6X in accordance with EN 60529.
- For the application of Ex ec, Ex tc: U_{rated}=20V, I_{rated}=50mA.
- Installation of load cell needs to be done in such way that enclosure welded caps are physically obstructed from any possible impact.
- ⚠ Not following these instructions will jeopardize the explosion safety.
- For the application of Ex ec, The equipment shall only be used in an area of at least pollution degree 2, as defined in IEC 60664-1.

Table 1

EN60079-0: 2018	EN60079-14: 2014	EN60079-11: 2012	EN60079-31: 2014
EN61241-14: 2004	EN60079-31: 2013	EN60079-7: 2015	IEC60079-31: 2013
IEC 60079-0-2017	IEC 60079-11-2011	IEC 60079-14-2013	IEC60079-7: 2015

Table 2

Temperature class	P _i	I _i
T4	2.1W	800mA
T5	1.2W	600mA
T6	0.6W	600mA

Mettler-Toledo GmbH, Im Langacher 44, 8606 Greifensee, Switzerland
Mettler-Toledo Ltd. 64 Boston Rd. Leicester, LE4 1AW, United Kingdom

D	update drawing status	Wang Jianwen	Liu Yuchun				2021-7-26
C	removed Ex nA of note 6	Wang Jianwen	Liu Yuchun				2021-1-15
REV / CHG	DESCRIPTION	BY	APPVD	AGENCY	E.R. No.	DATE	
RECORD OF CHANGES							
METTLER TOLEDO		MTCZ	Drawn	Wang JW	2020/05/11	Scale	1:1
		CN-213022 ChangZhou	Change			Format	mt_A4
Refer to protection notice ISO 16016 / Schutzvermerk ISO 16016 beachten		Note	-			Replaces	-
Description 防爆安装图 SLP84X		ERP NO.	30555321			ERP Rev	D
External Design No.: D000644580		External Design Rev.: D	Status: Approved	Mass:	Units: mm	1/1	

AutoCAD Mechanical Template V0.2

23

METTLER TOLEDO Service

Gratulálunk, hogy a METTLER TOLEDO névvel fémjelzett minőséget és pontosságot választotta. Ha a megvásárolt új berendezést a jelen felhasználói kézikönyvnek megfelelően rendeltetésszerűen használja, és képzett szerviz csapatunkkal rendszeresen elvégzeti a kalibrálást és karbantartást, akkor azzal biztosítja az eszköz pontos és megbízható működését, valamint beruházása védelmét. Személyre és költségvetésre szabott szervizelési megállapodáshoz vegye fel velünk a kapcsolatot. További információt itt talál ► www.mt.com/service.

Beruházásának értékét számos módon maximalizálhatja:

- 1 **Termékrejestráció:** Kérjük, regisztrálja termékét a www.mt.com/productregistration oldalon, hogy tájékozathassuk a termékére vonatkozó fejlesztésekről, frissítésekről és fontos információkról.
- 2 **Szervizeléshez lépjen kapcsolatba a METTLER TOLEDOVAL:** Egy mérés értéke egyenes arányban áll annak pontosságával: a specifikációtól eltérő mérleg a minőség és a nyereség rovására mehet, valamint a felülősséget is növeli. A METTLER TOLEDO által időben elvégzett szervizeléssel biztosítható a pontosság és optimalizálható a berendezés üzemideje és élettartama.
 - ➔ **Telepítés, konfigurálás, integrálás és képzés:** Szervizképviselőink üzemi képzettséggel rendelkező mérlegszakértők. Biztos lehet benne, mérőberendezései a sikerre képzett személyzet segítségével mindenkor költséghatékony módon állnak majd az Ön rendelkezésére.
 - ➔ **Eredeti kalibrálási dokumentáció:** A telepítési környezet és a felhasználási követelmények minden ipari mérleg esetében mások, ezért a működést ellenőrizni és tanúsítani kell. Kalibrálási szervizeink és tanúsítványaink a pontosság dokumentálásával biztosítják a termékminőséget és a kiváló minőségű működés-nyilvántartó rendszert.
 - ➔ **Időszakos kalibráló karbantartás:** Kalibrálási megállapodás biztosítja a mérési folyamatok és a követelményeknek való megfelelés dokumentálásának folyamatos megbízhatóságát. Többféle szervizcsomagunk közül biztosan megtalálja az igényeinek és költségvetésének megfelelő csomagot.

Tartalomjegyzék

1	Biztonsági utasítások	3
1.1	Rendeltetészerű használat	3
1.2	Nem rendeltetészerű használat	3
1.3	Biztonsági óvintézkedések	3
1.4	Különleges felhasználási feltételek	3
2	Bevezetés	4
2.1	Választék	4
2.2	A kézikönyvről	4
2.3	További dokumentumok	4
3	Telepítés és üzemeltetés	5
3.1	A mérőplatform csatlakoztatása a mérőterminálhoz	5
3.2	Szintezés	6
3.3	Potenciálkiegyenlítés	6
3.4	A mérőplatform ellenőrzése	6
3.5	A mérőplatform használata	7
3.6	Telepítés, konfigurálás, szervizelés és javítás	8
4	Karbantartás	9
4.1	Tisztítással kapcsolatos megjegyzések	9
4.2	Kiegészítő gondozás	9
4.3	Selejtezés	9
5	Javítás	10
6	Műszaki adatok és működési határértékek	11
6.1	Maximális hitelesítési osztásértékek	11
6.2	Legnagyobb megengedett terhelés	11
6.3	Az erőmérő cella műszaki adatai	12
6.3.1	Robbanásbiztonsági (Ex) jóváhagyás	12
6.3.2	Erőmérő cellára vonatkozó megfelelőségi szabvány	12
6.4	Méreték	15
6.5	Információk az előterhelési képességről	16
6.5.1	Előterhelési táblázat kilogrammban	17
6.5.2	Előterhelési táblázat fontban	19
6.6	Tartozékok	21
7	Szerelési lehetőségek	22
8	Függelék	23
8.1	Címke	23
8.2	Vezérlési rajz	24
8.3	Beépítési rajz	25

1 Biztonsági utasítások

1.1 Rendeltetésszerű használat

A PBA639(x/xx) mérőplatformok egy kijelzőként működő METTLER TOLEDO mérőterminálból és legalább egy mérőplatformból álló moduláris mérőrendszer részei.

- A mérőplatformot csak a kézikönyvvel összhangban álló méréshez szabad használni.
- A mérőplatformot beltéri használatra tervezték.
- Kizárólag a PBA639x/xx mérőplatform alkalmas az alábbiakban meghatározott veszélyes környezetben való használatra.
- Bármilyen más használat nem rendeltetésszerű használatnak minősül.

Törvényes metrológia

- Törvényes metrológiai alkalmazáshoz kizárólag jóváhagyott mérőplatformok használhatók.
- Törvényes metrológia keretében történő alkalmazáskor az üzemeltető felel a súlyokra és mérésekre vonatkozó nemzeti előírások betartásáért.
- A kereskedelemben történő használattal kapcsolatos kérdéseivel kérjük, forduljon a METTLER TOLEDO szervizhálózatához.

1.2 Nem rendeltetésszerű használat

- A mérőterminált mérésen kívül másra ne használja.
- A mérőplatformot ne használja a --- MISSING LINK --- fejezetben meghatározottól eltérő környezetben.
- A mérőplatformon ne hajtson végre módosításokat.
- A mérőterminált ne használja a műszaki leírásban megadott határértékeken túl.
- Ne használja a mérőplatformot tárolásra.
- Kerülje az áruknak a mérőplatformra való rásését.

1.3 Biztonsági óvintézkedések

- A mérőplatform telepítését és karbantartását kizárólag a METTLER TOLEDO által képzett és minősített személyzet végezheti.
- Nehéz berendezések szállításakor és emelésekor óvatossággal járjon el.
- Telepítés, szervizelés, tisztítás és karbantartás előtt a mérőplatformot mindig csatlakoztassa le az áramforrásról.
- A csatlakozókábel nem húzható ki a mérőterminálból, ha az feszültség alatt van.
- A tápfeszültség bekapcsolása előtt hagyja, hogy a mérőplatform elérje a szobahőmérsékletet.
- A PBA639x/xx robbanásbiztos mérőplatformok a következő veszélyes területeken való üzemeltetéshez rendelkeznek jóváhagyással:
 - ATEX/IECEx 2. kategória, 3. kategória, gáz/por (1./21 zóna, 2./22 zóna)
 - cFMus, I., II., III. osztály, . 1. div., 2. div.
- A mérőplatformok veszélyes területeken való használatakor fokozott sérülési és károkockázat áll fenn! Az ilyen területeken való munkavégzés esetén különös gondossággal kell eljárni.
- A PBA639x/xx mérőplatform esetén kizárólag olyan kábeltömszelencék használhatók, amelyek alkalmasak az erőmérő cella vezetékének a mérőterminálba való beillesztésére és rendelkeznek veszélyes területekre vonatkozó jóváhagyással.
- Veszélyes területeken a robbanásbiztos mérőplatformok kizárólag a megfelelő jóváhagyással és interfész-specifikációval rendelkező mérőterminálokkal együtt használhatók.

1.4 Különleges felhasználási feltételek

- Lég-/pordvesség okozta robbanásveszélyes légkörben a kábel szabad végeit a veszélyes területen kívül vagy olyan megfelelő területen kell csatlakoztatni, amelynek védelmi foka legalább IP6X az IEC/EN 60529 szerint.

2 Bevezetés

2.1 Választék

A jelen kézikönyv a PBA639(x/xx) terméksorozatra vonatkozik.

A PBA639(x/xx) sorozat az Ön igényeihez igazodó, különböző mérőplatformokat kínál. Jóváhagyásra alkalmas, valamint különböző méretekből és kapacitással érhető el

Típus	Mérőtálca anyaga	Mérlegkeret anyaga	Erőmérő cella kialakítása	Környezeti IP-védelem	Veszélyességi jóváhagyás
PBA639	Rozsdamentes acél AISI304, opcionális /	Rozsdamentes acél AISI304	Rozsdamentes acél, hermetikusan zárt	Száraz, nedves, IP68/IP69K	-
PBA639x	Rozsdamentes acél AISI316L, opcionális /				1./21 zóna, 1. div.
PBA639xx	Rozsdamentes acél AISI316L, nyitott tányér, opcionális				2./22 zóna, 2. div.

2.2 A kézikönyvről



A termék kezelője számára szükséges valamennyi információt tartalmazza.

- Használat előtt figyelmesen olvassa el a kézikönyvet.
- Jövőbeli felhasználás céljából őrizze meg a kézikönyvet.
- Adja tovább a kézikönyvet a termék jövőbeli tulajdonosának vagy felhasználójának.

2.3 További dokumentumok

A kézikönyv mellett az alábbi dokumentumok tölthetők le a ► www.mt.com oldalról:

- Prospektus
- Telepítési információk (szakképzett személyzet számára a felhasználó cég irányítása mellett)
- Típus-jóváhagyási dokumentumok

Tanúsítvány letöltése

Az egyesült államokbeli, kanadai, ATEX, UKEX és IECEx tanúsítványok innen tölthetők le:

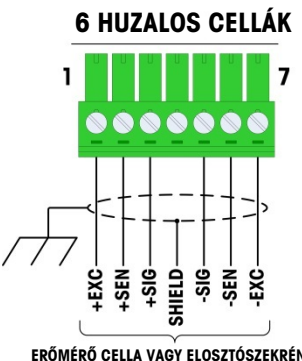
► <https://www.mt.com/us/en/home/search/compliance.html/compliance/>.

3 Telepítés és üzemeltetés

3.1 A mérőplatform csatlakoztatása a mérőterminálhoz

A PBA639(x/xx) mérőplatformok analóg METTLER TOLEDO mérőterminálokkal együtt használandók.

- 1 A mérőplatform kábelét a kábel tömszelencén keresztül illessze bele a mérőterminálba.
- 2 A mérőterminál kábelét a következő táblázat szerint csatlakoztassa a mérőterminál sorkapcsához.

Jel	Huzal színe	Csatlakozó
SIG+	Fehér	
SIG-	Piros	
EXC+	Zöld	
EXC-	Fekete	
SEN+	Sárga	
SEN-	Kék	



FIGYELMEZTETÉS

A kábelvezető karmantyút földelni kell.

Csatlakozókra vonatkozó biztonsági óvintézkedések

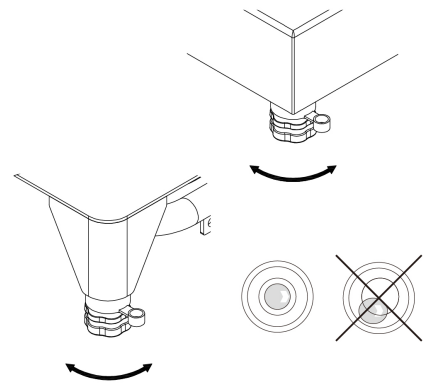
- Amikor veszélyes területen csatlakoztatja a mérőplatformot, szigorúan tartsa be a [Függelék ▶ 23. oldal] elérhető vezérlési rajzon feltüntetett követelményeket.
- Kérjük, ellenőrizze a biztonságos használatra vonatkozó különleges feltételeket a [Függelék ▶ 23. oldal] lévő rajzokon és tanúsítványokon.
- A kábelvezető karmantyú az erőmérő cella rugós eleméhez (az erőmérő cella testéhez) van csatlakoztatva. Kérjük, hogy a telepítési forgatókönyv alapján mérlegelje a megfelelő csatlakozást az erőmérő cella és a terminál (vagy elosztószekrény) között.
- Az összes biztonsági földelő csatlakozó és a rendszer földelő elektródája közötti ellenállás nem lehet több mint 1 ohm.
- A telepítésnek a vonatkozó elektromos telepítési szabványok szerint kell történnie.
- Ezen utasítások be nem tartása veszélyeztetheti a robbanásbiztonságot.

3.2 Szintezés

Kizárólag a pontosan vízszintes helyzetbe állított mérőplatform nyújt pontos mérési eredményeket. A mérőplatformot a kezdeti telepítés, valamint minden egyes helyváltoztatás alkalmával szintbe kell állítani.

- 1 Forgassa a mérőplatform állítható lábát addig, amíg a vízszintmérő jelölőbuborékja a belső körön belülré nem kerül.
- 2 Húzza szorosra az állítható láb záróanyágát.

👉 A videó megnézéséhez olvassa be a QR-kód

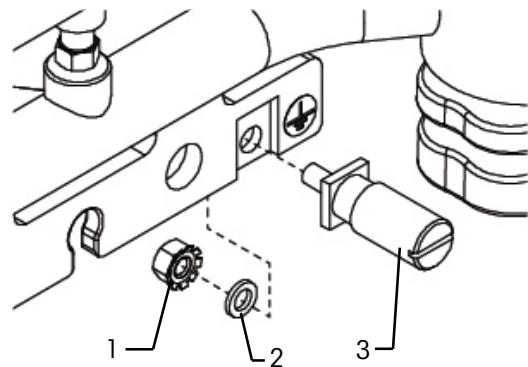


3.3 Potenciálkiegyenlítés

A PBA639x/xx mérőplatformok potenciálkiegyenlítésének felszerelése a gyárban történik. A vevő telephelyén hivatásos villanyszerelőnek kell végeznie a kábelezést. A METTLER TOLEDO szerviz ez esetben kizárólag nyomon követési és egyeztetési feladatokat lát el. Valamennyi berendezés (mérőplatform és mérőterminál) potenciálkiegyenlítését (PA) az adott ország szerinti szabály- és szabványrendszer szerint csatlakoztassa. A folyamat során győződjön meg arról, hogy a PA-terminálon keresztül valamennyi berendezés-tokozás ugyanahhoz a potenciálhoz csatlakozik.

Megjegyzés

A berendezés az IEC60950, II. osztály szerinti érintésvédelemmel rendelkezik.



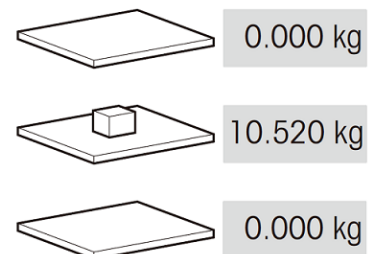
- 1 - Hatlapú biztosító anyja, M4 KEPS
- 2 - Alátét
- 3 - Potenciálkiegyenlítő sorkapocs, nyomaték: 3,5 Nm

A potenciálkiegyenlítő készlet rendelésszáma: 72237321

3.4 A mérőplatform ellenőrzése

Funkcionális ellenőrzés

- 1 Győződjön meg arról, hogy a mérőplatform csatlakoztatva van a mérőterminálhoz és a mérőterminál legyen bekapcsolt állapotban.
- 2 Győződjön meg róla, hogy a mérőplatformon nincs súly, és a mérőterminál kijelzője 0-t mutat.
- 3 A mérőplatform terhelése. A mérőterminálnak 0-tól eltérő értéket kell mutatnia.
- 4 A mérőplatform terhelésének megszüntetése. A mérőterminálnak vissza kell térnie 0 állásba.



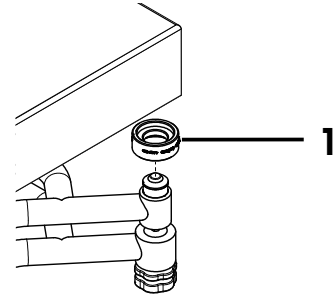
Ellenőrző teszt

Az ellenőrző tesztet lásd a csatlakoztatott mérőterminál felhasználói kézikönyvében. Törött hitelesítési plomba esetén a hitelesítés többé nem érvényes.

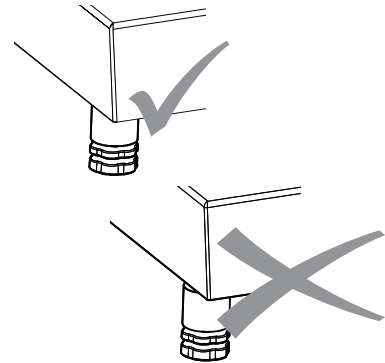
3.5 A mérőplatform használata

A legjobb mérési eredmények érdekében tartsa be az alábbiakat:

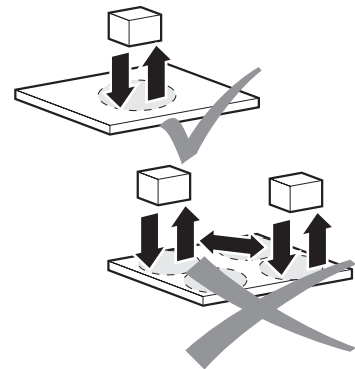
- Ha a mérőállványt úgy szállítják, hogy védőbetétek vannak (1) elhelyezve a teherlap alatt, akkor használatba vétel előtt távolítsa el a szállítási védőbetéteket.



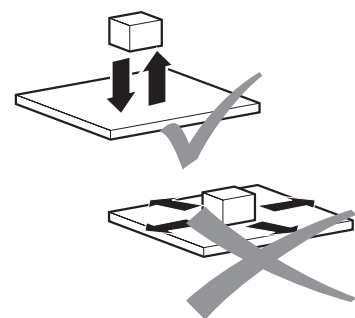
- Győződjön meg arról, hogy a teherlap megfelelően van felhelyezve.



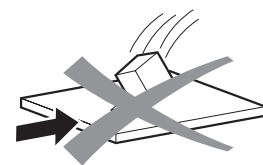
- A lehető legjobb mérési eredmények elérése érdekében mindig ugyanarra a helyre tegye a mért mintát a mérőplatformon.



- Kerülje a kopást és elhasználódást okozó tevékenységeket.



- Kerülni kell a terhek rázuhanását, az ütéseket és az oldalirányú erőhatásokat.



3.6 Telepítés, konfigurálás, szervizelés és javítás

A mérőplatformok telepítésével, konfigurálásával, szervizelésével és javításával kapcsolatban hívja a METTLER TOLEDO szervizét.

4 Karbantartás

4.1 Tisztítással kapcsolatos megjegyzések

Jegyezd

A mérőplatform károsodása tisztítószer helytelen használata miatt.

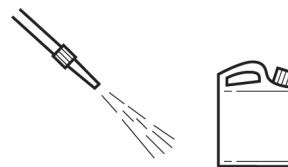
- Csak a gyártó utasításainak megfelelő tisztító- és fertőtlenítőszeret használjon.
- Ne használjon erősen savas, lúgos vagy klórozott szereket. Kerülje a magas vagy alacsony pH-értékű anyagokat, ellenkező esetben fennáll a korrózió veszélye.
- Az erőmérő cella tisztítását különös gondossággal végezze.

Tisztítási folyamat

- Rendszeresen távolítsa el a szennyeződések és a visszamaradt anyagokat a mérőplatform belsejéből és külsejéről.
 - ➔ Az eljárás a felület típusától és a telepítés helyén uralkodó környezeti feltételektől egyaránt függ.

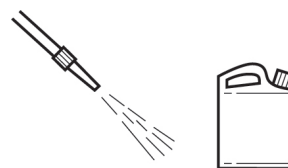
Tisztítás nedves környezetben (rozsdamentes acél változatok)

- Legfeljebb 80 °C-os / 176 °F-os hőmérsékletű, 80 bar nyomású vízugarat használjon, és tartson legalább 40 cm / 16" távolságot.
- Háztartási tisztítószeret használjon.



Tisztítás korrozív környezetben (rozsdamentes acél változatok)

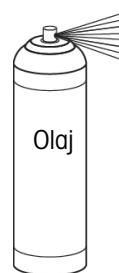
- Használjon vízugarat.
 - Belső tisztítás**, erőmérő cella, nyitott mérőtálca: legfeljebb 60 °C / 140 °F és legfeljebb 2 bar, legalább 40 cm / 16" távolság.
 - Külső tisztítás**, csukott mérőtálca: 80 °C-ig / 176 °F-ig és legfeljebb 80 bar, legalább 40 cm / 16" távolság.
- A maró anyagokat rendszeresen el kell távolítani.
- A tisztító- és fertőtlenítőszeret kizárólag a gyártó utasításainak megfelelően használja



4.2 Kiegészítő gondozás

A mérleg megóvása érdekében végezze el az alábbi kiegészítő gondozást:

- Tiszta vízzel öblítse le a mérleget és maradéktalanul távolítsa el a tisztítószeret.
- Szálmentes kendővel törölje szárazra a mérleget.
- Rozsdamentes acél kivitelű mérlegek esetén élelmiszerekhez is alkalmas olajjal kezelje a külső és a belső részt.



4.3 Selejtezés

In conformance with the European Directive 2012/19/EU on Waste Electrical and Electronic Equipment (WEEE) this device may not be disposed of in domestic waste. This also applies to countries outside the EU, per their specific requirements.

Please dispose of this product in accordance with local regulations at the collecting point specified for electrical and electronic equipment. If you have any questions, please contact the responsible authority or the distributor from which you purchased this device. Should this device be passed on to other parties, the content of this regulation must also be related.



5 Javítás

Ez a berendezés tanúsítva van veszélyes helyeken való használatra, ezért módosítása nem engedélyezett. Javításokat csak a készülék javítására speciálisan képzett személyzet végezhet.

6 Műszaki adatok és működési határértékek

6.1 Maximális hitelesítési osztásértékek

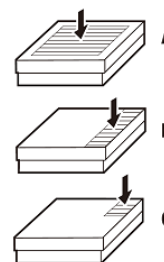
Maximális hitelesítési osztásértékek [e] / OIML	Kapacitás							
	3 kg	6 kg	15 kg	30 kg	60 kg	150 kg	300 kg	600 kg
2 x 3000e MR	-	3 / 0.001	6 / 0.002	15 / 0.005	30 / 0.01	60 / 0.02	150 / 0.05	300 / 0.1
Max / e [kg]		6 / 0.002	15 / 0.005	30 / 0.01	60 / 0.02	150 / 0.05	300 / 0.1	600 / 0.2

Maximális hitelesítési osztásértékek [d] / NTEP	Kapacitás							
	-	10 lb	25 lb	50 lb	100 lb	250 lb	500 lb	1000 lb
1 x 5000d Max / d [lb]	-	10 / 0.002	25 / 0.005	50 / 0.01	100 / 0.02	250 / 0.05	500 / 0.1	1000 / 0.2

6.2 Legnagyobb megengedett terhelés

Valamennyi mérőplatform rendelkezik túlterhelés elleni védelemmel. A mérleg masszív kialakításának köszönhetően a névleges kapacitás alkalmanként túlléphető a platform károsodása nélkül. A legnagyobb statikus terhelést nem szabad túllépni.

- Tartsa be az alábbi üzemeltetési határértékeket.



Modell	A - középső terhelés	B - oldalsó terhelés	C - sarokterhelés
PBA639(x/xx)-QA	50 kg / 110 lb	35 kg / 77 lb	20 kg / 44 lb
PBA639(x/xx)-A	50 kg / 110 lb	35 kg / 77 lb	20 kg / 44 lb
PBA639(x/xx)-QB	120 kg / 265 lb	80 kg / 176 lb	40 kg / 88 lb
PBA639(x/xx)-BB	120 kg / 265 lb	80 kg / 176 lb	40 kg / 88 lb
PBA639(x/xx)-B	220 kg / 485 lb	150 kg / 331 lb	80 kg / 176 lb
PBA639(x/xx)-BC	450 kg / 992 lb	350 kg / 772 lb	180 kg / 397 lb
PBA639(x/xx)-CC	750 kg / 1653 lb	400 kg / 882 lb	200 kg / 440 lb



FIGYELMEZTETÉS

Kerülje a leeső terheket, ütőszerű terhelést valamint az oldalütéseket.

6.3 Az erőmérő cella műszaki adatai

Névleges kimenet	mV/V	1,8 ± 0,2
Bemeneti ellenállás	Ω	384 ± 15
Kimeneti ellenállás	Ω	350 ± 4
Ajánlott feszültség	V (DC / AC)	5–15
Maximális gerjesztett feszültség	V (DC / AC)	20
Kábelköpeny	-	PVC
IP névleges értéke	-	IP68 / IP69K

6.3.1 Robbanásbiztonsági (Ex) jóváhagyás

Ez a rész kizárólag a termék robbanásbiztonsággal kapcsolatos jellemzőit ismerteti.

Az erőmérő cella SLP84x(x=6,7,8) az alábbiakkal rendelkezik:

ATEX tanúsítvány	FM21ATEX0003X, FM21ATEX0025X
Egyesült királyságbeli tanúsítvány	FM21UKEX0079X, FM21UKEX0080X
IECEX tanúsítvány	IECEX FMG21.0003X
Egyesült államokbeli tanúsítvány	FM21US0005X
Kanadai tanúsítvány	FM21CA0002X

A fent felsorolt tanúsítványokért és a vonatkozó telepítési rajzokért lásd: [Függelék ▶ 23. oldal].

6.3.2 Erőmérő cellára vonatkozó megfeleléségi szabvány

Egyesült államokbeli szabványok

Cím	Szám	Kibocsátás dátuma
Veszélyes (besorolt) helyeken használható elektromos készülék – Általános követelmények	FM osztály: 3600	2018
Gyújtószikramentes gyártmányok és kapcsolódó gyártmányok I., II. és III. osztályú, 1. divíziójú, veszélyes (besorolt) helyeken való használatához	FM osztály: 3610	2021
Nem gyújtóképes elektromos készülék I. és II. osztályú, 2. divíziójú, és III. osztályú, 1. és 2. divíziójú veszélyes (besorolt) helyeken való használatra	FM osztály: 3611	2021
Villamos mérő-, szabályozó- és laboratóriumi készülékek	FM osztály: 3810	2021
Robbanóképes közegek - 0. rész: Készülék - Általános követelmények	ANSI/UL 60079-0	2019
Robbanóképes közegek – 11. rész: Készülékek „i” gyújtószikramentes védelemmel	ANSI/ISA 60079-11	2014
Nem gyújtóképes elektromos készülékek I. és II. osztályú, 2. divíziójú, és III. osztályú, 1. és 2. divíziójú veszélyes (besorolt) helyeken való használatra	ANSI/UL 121201	2017
Villamos mérő-, szabályozó- és laboratóriumi készülékek biztonsági előírásai – 1. rész: Általános követelmények	ANSI/UL 61010-1	2012
Villamos gyártmányok burkolatai által nyújtott védettségi fokozatok (IP-kód)	ANSI/IEC 60529	2020

Kanadai szabványok

Cím	Szám	Kibocsátás dátuma
Nem gyújtóképes elektromos készülékek I. osztályú, 2. divíziójú veszélyes helyeken való használatra	CSA C22.2 213. szám	2017

Cím	Szám	Kibocsátás dátuma
Robbanóképes közegek - 0. rész: Készülék - Általános követelmények	CAN/CSA-C22.2 60079-0. szám	2019
Robbanóképes közegek - 11. rész: Készülékek „i” gyújtószikramentes védelemmel	CAN/CSA-C22.2 60079-11. szám	2014
Robbanóképes közegek - 7. rész: Készülékek „e” fokozott biztonságú védelemmel	CAN/CSA-C22.2 60079-7. szám	2018
Robbanóképes közegek - 31. rész: Készülékek porgyújtás elleni védelem fokozással, „t”	CAN/CSA-C22.2 60079-31. szám	2015
Villamos mérő-, szabályozó- és laboratóriumi készülékek biztonsági előírásai – 1. rész: Általános követelmények	CSA C22.2 61010-1. szám	2012
Villamos gyártmányok burkolatai által nyújtott védelemtípusok fokozatok (IP-kód)	CSA C22.2 60529. szám	2016

IECEx szabványok

Cím	Szám	Kibocsátás dátuma
Robbanóképes közegek - 0. rész: Készülék - Általános követelmények	IEC 60079-0	2017
Robbanóképes közegek - 11. rész: Készülékek „i” gyújtószikramentes védelemmel	IEC 60079-11	2011
Robbanóképes közegek - 7. rész: Készülékek „e” fokozott biztonságú védelemmel	IEC 60079-7	2017
Robbanóképes közegek - 31. rész: Készülékek porgyújtás elleni védelem fokozással, „t”	IEC 60079-31	2013
Villamos gyártmányok burkolatai által nyújtott védelemtípusok fokozatok (IP-kód)	IEC 60529	2013

ATEX szabványok

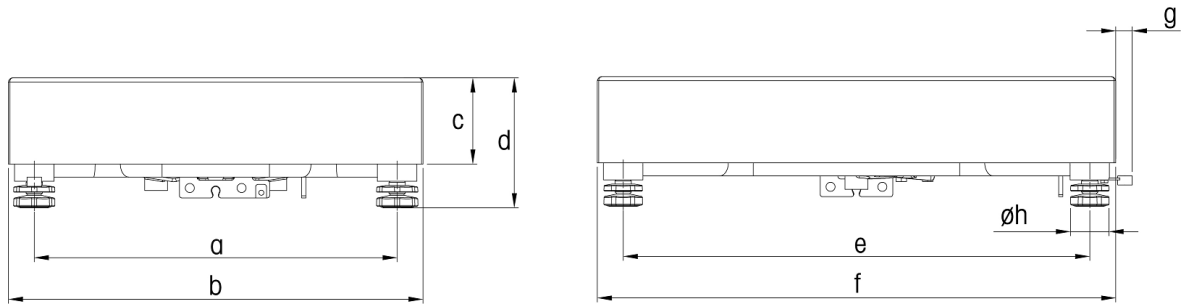
Cím	Szám	Kibocsátás dátuma
Robbanóképes közegek - 0. rész: Készülék - Általános követelmények	EN IEC 60079-0	2018
Robbanóképes közegek - 11. rész: Készülékek „i” gyújtószikramentes védelemmel	EN 60079-11	2012
Robbanóképes közegek - 7. rész: Készülékek „e” fokozott biztonságú védelemmel	EN 60079-7	2015 +A1:2018
Robbanóképes közegek - 31. rész: Készülékek porgyújtás elleni védelem fokozással, „t”	EN 60079-31	2014
Villamos gyártmányok burkolatai által nyújtott védelemtípusok fokozatok (IP-kód)	EN 60529	1991 + A1:2000 + A2:2013

UKEX szabványok

Cím	Szám	Kibocsátás dátuma
Robbanóképes közegek - 0. rész: Készülék - Általános követelmények	EN IEC 60079-0	2018
Robbanóképes közegek - 11. rész: Készülékek „i” gyújtószikramentes védelemmel	EN 60079-11	2012
Robbanóképes közegek - 7. rész: Készülékek „e” fokozott biztonságú védelemmel	EN 60079-7	2015 +A1:2018
Robbanóképes közegek - 31. rész: Készülékek porgyújtás elleni védelem fokozással, „t”	EN 60079-31	2014

Cím	Szám	Kibocsátás dátuma
Villamos gyártmányok burkolatai által nyújtott védettségi fokozatok (IP-kód)	EN 60529	1991 + A1:2000 + A2:2013

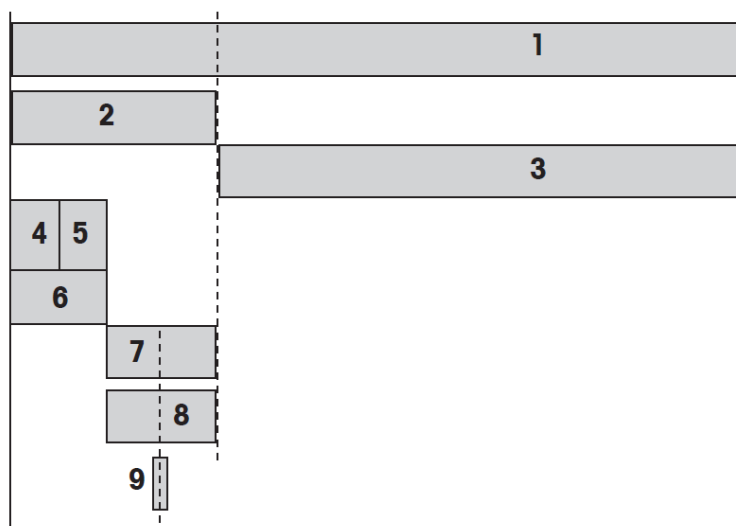
6.4 Méretek



Méretek		a	b	c	d *	e	f	g	h
PBA639(x/xx)-QA	mm	178	228	70	110	178	228	21	40
	hüvelyk	7,01	8,98	2,76	4,33	7,01	8,98	0,83	1,57
PBA639(x/xx)-A	mm	190	240	70	110	250	300	21	40
	hüvelyk	7,48	9,45	2,76	4,33	9,84	11,81	0,83	1,57
PBA639(x/xx)-QB	mm	255	305	70	110	255	305	21	40
	hüvelyk	10,04	12,01	2,76	4,33	10,04	12,01	0,83	1,57
PBA639(x/xx)-BB	mm	250	300	70	110	350	400	21	40
	hüvelyk	9,84	11,81	2,76	4,33	13,78	15,75	0,83	1,57
PBA639(x/xx)-B	mm	350	400	83	126	450	500	21	40
	hüvelyk	13,78	15,75	3,27	4,96	17,72	19,69	0,83	1,57
PBA639(x/xx)-BC	mm	450	500	90	134	600	650	21	40
	hüvelyk	17,72	19,69	3,54	5,28	23,62	25,59	0,83	1,57
PBA639(x/xx)-CC	mm	550	600	90	134	750	800	21	40
	hüvelyk	21,65	23,62	3,54	5,28	29,53	31,50	0,83	1,57
PBA639(x/xx)-CC600	mm	550	600	94	140,5	750	800	21	40
	hüvelyk	21,65	23,62	3,70	5,53	29,53	31,50	0,83	1,57

* : d= minimális platformmagasság. A mérleg állítható tartóibaival a platformmagasság legfeljebb 5 mm-rel / 0,20 hüvelykkel növelhető.

6.5 Információk az előterhelési képességről



1	Az erőmérő cella maximális terhelhetőségi tartománya (E_{max})
2	Maximális előterhelés = Maximális terhelhetőségi tartomány 1 – Maximális terhelhetőség 3
3	Maximális terhelhetőség = Maximális terhelhetőségi tartomány 1 – Maximális előterhelés 2
4	Felső rész előterhelése
5	Mérőtálca előterhelése
6	Ex munkák előterhelése = Felső rész előterhelése 4 + Mérőtálca előterhelése 5
7	Tartalék mechanikai előterhelés = Maximális előterhelés 2 – Ex munkák előterhelése 6
8	Beállítható a nullabeállítási tartomány (bekapcsolás). A nullabeállítási tartománynak a maximális előterhelésen belül kell esnie. A nullabeállítási tartomány mennyisége a maximális terhelhetőség legfeljebb 18%-a lehet.
9	Nullabeállítási tartomány \pm a maximális terhelhetőség 2%-a

6.5.1 Előterhelési táblázat kilogrammban

PBA639(x/xx) standard tányérral (304 / 316L)

Típus	Méreték [mm]	Max. terhelés (3)	Felső rész előterhelése (4)	Mérőtábla előterhelése (5)	Ex munkák előterhelése (6)	Tartalék mechanikai előterhelés (7)	Nulla beállítási tartomány (8)	Max. terhelhetőségi tartomány (1)
PBA639(x/xx)-QA3	228x228	3	0,71	1,90	2,61	5,39	0,54	11
PBA639(x/xx)-QA6	228x228	6	0,71	1,90	2,61	2,39	1,08	11
PBA639(x/xx)-A3	240x300	3	0,80	2,40	3,20	4,80	0,54	11
PBA639(x/xx)-A6	240x300	6	0,80	2,40	3,20	1,80	1,08	11
PBA639(x/xx)-A15	240x300	15	0,80	2,40	3,20	3,80	2,70	22
PBA639(x/xx)-QB15	305x305	15	1,42	2,80	4,22	2,78	2,70	22
PBA639(x/xx)-QB30	305x305	30	1,42	2,80	4,22	25,78	5,40	60
PBA639(x/xx)-QB60	305x305	60	1,42	2,80	4,22	35,78	10,80	100
PBA639(x/xx)-BB30	300x400	30	2,00	3,50	5,50	24,50	5,40	60
PBA639(x/xx)-BB60	300x400	60	2,00	3,50	5,50	34,50	10,80	100
PBA639(x/xx)-B30	400x500	30	3,99	5,50	9,49	20,51	5,40	60
PBA639(x/xx)-B60	400x500	60	3,99	5,50	9,49	30,51	10,80	100
PBA639(x/xx)-B150	400x500	150	3,99	5,50	9,49	40,51	27,00	200
PBA639(x/xx)-BC60	500x650	60	6,93	8,40	15,33	24,67	10,80	100
PBA639(x/xx)-BC150	500x650	150	6,93	8,40	15,33	84,67	27,00	250
PBA639(x/xx)-BC300	500x650	300	6,93	8,40	15,33	184,67	54,00	500
PBA639(x/xx)-CC60	600x800	60	10,53	11,50	22,03	17,97	10,80	100
PBA639(x/xx)-CC150	600x800	150	10,53	11,50	22,03	77,97	27,00	250
PBA639(x/xx)-CC300	600x800	300	10,53	11,50	22,03	177,97	54,00	500
PBA639(x/xx)-CC600	600x800	600	10,53	14,70	25,23	124,77	108,00	750

PBA639(x/xx) nyitott tányérral (304 / 316L)

Típus	Méreték [mm]	Max. terhelés (3)	Felső rész előterhelése (4)	Mérőtábla előterhelése (5)	Ex munkák előterhelése (6)	Tartalék mechanikai előterhelés (7)	Nulla beállítási tartomány (8)	Max. terhelhetőségi tartomány (1)
PBA639(x/xx)-QA3	228x228	3	0,71	1,20	1,91	6,09	0,54	11
PBA639(x/xx)-QA6	228x228	6	0,71	1,20	1,91	3,09	1,08	11
PBA639(x/xx)-A3	240x300	3	0,80	1,50	2,30	5,70	0,54	11
PBA639(x/xx)-A6	240x300	6	0,80	1,50	2,30	2,70	1,08	11
PBA639(x/xx)-A15	240x300	15	0,80	1,50	2,30	4,70	2,70	22
PBA639(x/xx)-QB15	305x305	15	1,42	1,80	3,22	3,78	2,70	22
PBA639(x/xx)-QB30	305x305	30	1,42	1,80	3,22	26,78	5,40	60
PBA639(x/xx)-QB60	305x305	60	1,42	1,80	3,22	36,78	10,80	100
PBA639(x/xx)-BB30	300x400	30	2,00	2,30	4,30	25,70	5,40	60
PBA639(x/xx)-BB60	300x400	60	2,00	2,30	4,30	35,70	10,80	100
PBA639(x/xx)-B30	400x500	30	3,99	5,60	9,59	20,41	5,40	60
PBA639(x/xx)-B60	400x500	60	3,99	5,60	9,59	30,41	10,80	100
PBA639(x/xx)-B150	400x500	150	3,99	5,60	9,59	40,41	27,00	200

PBA639(x/xx) tányér nélkül

Típus	Méreték [mm]	Max. terhelés (3)	Felső rész előterhelése (4)	Mérőtálcá előterhelése (5)	Ex munkák előterhelése (6)	Tartalék mechanikai előterhelés (7)	Nulla beállítási tartomány (8)	Max. terhelhetőségi tartomány (1)
PBA639(x/xx)-QA3	228x228	3	0,71	0	0,71	7,286	0,54	11
PBA639(x/xx)-QA6	228x228	6	0,71	0	0,71	4,29	1,08	11
PBA639(x/xx)-A3	240x300	3	0,80	0	0,80	7,20	0,54	11
PBA639(x/xx)-A6	240x300	6	0,80	0	0,80	4,20	1,08	11
PBA639(x/xx)-A15	240x300	15	0,80	0	0,80	6,20	2,70	22
PBA639(x/xx)-QB15	305x305	15	1,42	0	1,42	5,58	2,70	22
PBA639(x/xx)-QB30	305x305	30	1,42	0	1,42	28,58	5,40	60
PBA639(x/xx)-QB60	305x305	60	1,42	0	1,42	38,58	10,80	100
PBA639(x/xx)-BB30	300x400	30	2,00	0	2,00	28,00	5,40	60
PBA639(x/xx)-BB60	300x400	60	2,00	0	2,00	38,00	10,80	100
PBA639(x/xx)-B30	400x500	30	3,99	0	3,99	26,01	5,40	60
PBA639(x/xx)-B60	400x500	60	3,99	0	3,99	36,01	10,80	100
PBA639(x/xx)-B150	400x500	150	3,99	0	3,99	46,01	27,00	200
PBA639(x/xx)-BC60	500x650	60	6,93	0	6,93	33,07	10,80	100
PBA639(x/xx)-BC150	500x650	150	6,93	0	6,93	93,07	27,00	250
PBA639(x/xx)-BC300	500x650	300	6,93	0	6,93	193,07	54,00	500
PBA639(x/xx)-CC60	600x800	60	10,53	0	10,53	29,47	10,80	100
PBA639(x/xx)-CC150	600x800	150	10,53	0	10,53	89,47	27,00	250
PBA639(x/xx)-CC300	600x800	300	10,53	0	10,53	189,47	54,00	500
PBA639(x/xx)-CC600	600x800	600	10,53	0	10,53	139,47	108,00	750

6.5.2 Előterhelési táblázat fontban

PBA639(x/xx) standard tányérral (304 / 316L)

Típus	Méreték [hüvelyk]	Max. terhelés (3)	Felső rész előterhelése (4)	Mérőtálca előterhelése (5)	Ex munkák előterhelése (6)	Tartalék mechanikai előterhelés (7)	Nulla beállítási tartomány (8)	Max. terhelhetőségi tartomány (1)
PBA639(x/xx)-QA6	9x9	10	1,57	4,19	5,76	8,49	1,8	24
PBA639(x/xx)-A6	9,5x11,8	10	1,75	5,29	7,05	7,20	1,8	24
PBA639(x/xx)-A15	9,5x11,8	25	1,75	5,29	7,05	16,46	4,5	49
PBA639(x/xx)-QB15	12x12	25	3,13	6,17	9,30	14,20	4,5	49
PBA639(x/xx)-QB30	12x12	50	3,13	6,17	9,30	72,98	9,0	132
PBA639(x/xx)-QB60	12x12	100	3,13	6,17	9,30	111,16	18,0	220
PBA639(x/xx)-BB30	11,8x15,7	50	4,41	7,72	12,12	70,15	9,0	132
PBA639(x/xx)-BB60	11,8x15,7	100	4,41	7,72	12,12	108,34	18,0	220
PBA639(x/xx)-B30	15,7x19,7	50	8,79	12,13	20,92	61,36	9,0	132
PBA639(x/xx)-B60	15,7x19,7	100	8,79	12,13	20,92	99,55	18,0	220
PBA639(x/xx)-B150	15,7x19,7	250	8,79	12,13	20,92	170,01	45,0	441
PBA639(x/xx)-BC60	19,7x25,6	100	15,27	18,52	33,79	86,67	18,0	220
PBA639(x/xx)-BC150	19,7x25,6	250	15,27	18,52	33,79	267,37	45,0	551
PBA639(x/xx)-BC300	19,7x25,6	500	15,27	18,52	33,79	568,52	90,0	1102
PBA639(x/xx)-CC60	23,6x29,5	100	23,21	25,35	48,56	71,90	18,0	220
PBA639(x/xx)-CC150	23,6x29,5	250	23,21	25,35	48,56	252,60	45,0	551
PBA639(x/xx)-CC300	23,6x29,5	500	23,21	25,35	48,56	553,75	90,0	1102
PBA639(x/xx)-CC600	23,6x29,5	1000	23,21	32,41	55,61	597,85	180,0	1653

PBA639(x/xx) nyitott tányérral (304 / 316L)

Típus	Méreték [hüvelyk]	Max. terhelés (3)	Felső rész előterhelése (4)	Mérőtálca előterhelése (5)	Ex munkák előterhelése (6)	Tartalék mechanikai előterhelés (7)	Nulla beállítási tartomány (8)	Max. terhelhetőségi tartomány (1)
PBA639(x/xx)-QA6	9x9	10	1,57	2,65	4,22	10,03	1,8	24
PBA639(x/xx)-A6	9,5x11,8	10	1,75	3,31	5,06	9,19	1,8	24
PBA639(x/xx)-A15	9,5x11,8	25	1,75	3,31	5,06	18,44	4,5	49
PBA639(x/xx)-QB15	12x12	25	3,13	3,97	7,10	16,41	4,5	49
PBA639(x/xx)-QB30	12x12	50	3,13	3,97	7,10	75,18	9,0	132
PBA639(x/xx)-QB60	12x12	100	3,13	3,97	7,10	113,37	18,0	220
PBA639(x/xx)-BB30	11,8x15,7	50	4,41	5,07	9,48	72,80	9,0	132
PBA639(x/xx)-BB60	11,8x15,7	100	4,41	5,07	9,48	110,98	18,0	220
PBA639(x/xx)-B30	15,7x19,7	50	8,79	12,35	21,14	61,14	9,0	132
PBA639(x/xx)-B60	15,7x19,7	100	8,79	12,35	21,14	99,33	18,0	220
PBA639(x/xx)-B150	15,7x19,7	250	8,79	12,35	21,14	169,79	45,0	441

PBA639(x/xx) tányér nélkül

Típus	Méreték [hüvelyk]	Max. terhelés (3)	Felső rész előterhelése (4)	Mérőtálca előterhelése (5)	Ex munkák előterhelése (6)	Tartalék mechanikai előterhelés (7)	Nulla beállítási tartomány (8)	Max. terhelhetőségi tartomány (1)
PBA639(x/xx)-QA6	9x9	10	1,57	0,00	1,57	12,68	1,8	24

Típus	Méreték [hüvelyk]	Max. terhe- lés (3)	Felső rész előter- helése (4)	Mérőtálca előterhe- lése (5)	Ex mun- kák elő- terhelése (6)	Tartalék mechani- kai elő- terhelés (7)	Nulla be- állítási tartomá- ny (8)	Max. ter- helhető- ségi tar- tomány (1)
PBA639(x/xx)-A6	9,5x11,8	10	1,75	0,00	1,75	12,50	1,8	24
PBA639(x/xx)-A15	9,5x11,8	25	1,75	0,00	1,75	21,75	4,5	49
PBA639(x/xx)-QB15	12x12	25	3,13	0,00	3,13	20,37	4,5	49
PBA639(x/xx)-QB30	12x12	50	3,13	0,00	3,13	79,15	9,0	132
PBA639(x/xx)-QB60	12x12	100	3,13	0,00	3,13	117,33	18,0	220
PBA639(x/xx)-BB30	11,8x15,7	50	4,41	0,00	4,41	77,87	9,0	132
PBA639(x/xx)-BB60	11,8x15,7	100	4,41	0,00	4,41	116,06	18,0	220
PBA639(x/xx)-B30	15,7x19,7	50	8,79	0,00	8,79	73,49	9,0	132
PBA639(x/xx)-B60	15,7x19,7	100	8,79	0,00	8,79	111,67	18,0	220
PBA639(x/xx)-B150	15,7x19,7	250	8,79	0,00	8,79	182,13	45,0	441
PBA639(x/xx)-BC60	19,7x25,6	100	15,27	0,00	15,27	105,19	18,0	220
PBA639(x/xx)-BC150	19,7x25,6	250	15,27	0,00	15,27	285,89	45,0	551
PBA639(x/xx)-BC300	19,7x25,6	500	15,27	0,00	15,27	587,04	90,0	1102
PBA639(x/xx)-CC60	23,6x29,5	100	23,21	0,00	23,21	97,26	18,0	220
PBA639(x/xx)-CC150	23,6x29,5	250	23,21	0,00	23,21	277,95	45,0	551
PBA639(x/xx)-CC300	23,6x29,5	500	23,21	0,00	23,21	579,11	90,0	1102
PBA639(x/xx)-CC600	23,6x29,5	1000	23,21	0,00	23,21	630,26	180,0	1653

6.6 Tartozékok

Oszlop

Cikkszám	Meghatározás	Leírás
30676281	Nyitott oszlop 330 mm / 13"	Illeszkedik a platformméretekhez
30676282	Nyitott oszlop 660 mm / 26"	Minden platformmérethez illeszkedik
30676283	Nyitott oszlop 900 mm / 35,4"	Minden „A” méretnél nagyobb platformmérethez illeszkedik
30676284	Zárt oszlop 330 mm / 13"	Illeszkedik a platformméretekhez
30676285	Zárt oszlop 660 mm / 26"	Minden platformmérethez illeszkedik
30676286	Zárt oszlop 900 mm / 35,4"	Minden „A” méretnél nagyobb platformmérethez illeszkedik

Rozsdamentes acél kocsi

Cikkszám	Meghatározás	Leírás
72225939	Rozsdamentes acél kocsi BC	Az 500 × 650 mm-es platformhoz illeszkedik
72225940	Rozsdamentes acél kocsi CC	Az 600 × 800 mm-es platformhoz illeszkedik

Görgős továbbító

Cikkszám	Meghatározás	Leírás
30253326	Görgős továbbító 400 × 500 mm / 15,7" × 19,7" rozsdamentes acél	A 400 × 500 mm-es platformhoz illeszkedik. Görgő a platform rövid oldalára
30253328	Görgős továbbító 500 × 650 mm / 19,7" × 25,6" rozsdamentes acél	Az 500 × 650 mm-es platformhoz illeszkedik. Görgő a platform rövid oldalára
30253330	Görgős továbbító 600 × 800 mm / 23,6" × 31,5" rozsdamentes acél	A 600 × 800 mm-es platformhoz illeszkedik. Görgő a platform rövid oldalára
30253327	Görgős továbbító 400 × 500 mm / 15,7" × 19,7" rozsdamentes acél	A 400 × 500 mm-es platformhoz illeszkedik. Görgő a platform hosszú oldalára
30253329	Görgős továbbító 500 × 650 mm / 19,7" × 25,6" rozsdamentes acél	Az 500 × 650 mm-es platformhoz illeszkedik. Görgő a platform hosszú oldalára
30253331	Görgős továbbító 600 × 800 mm / 23,6" × 31,5" rozsdamentes acél	A 600 × 800 mm-es platformhoz illeszkedik. Görgő a platform rövid oldalára
30640393	Görgős továbbító 400 × 500 mm / 15,7" × 19,7" rozsdamentes acél	Veszélyes terület esetén
30640394	Görgős továbbító 500 × 650 mm / 19,7" × 25,6" rozsdamentes acél	Veszélyes terület esetén
30640395	Görgős továbbító 600 × 800 mm / 23,6" × 31,5" rozsdamentes acél	Veszélyes terület esetén

Elülső tartókonzol

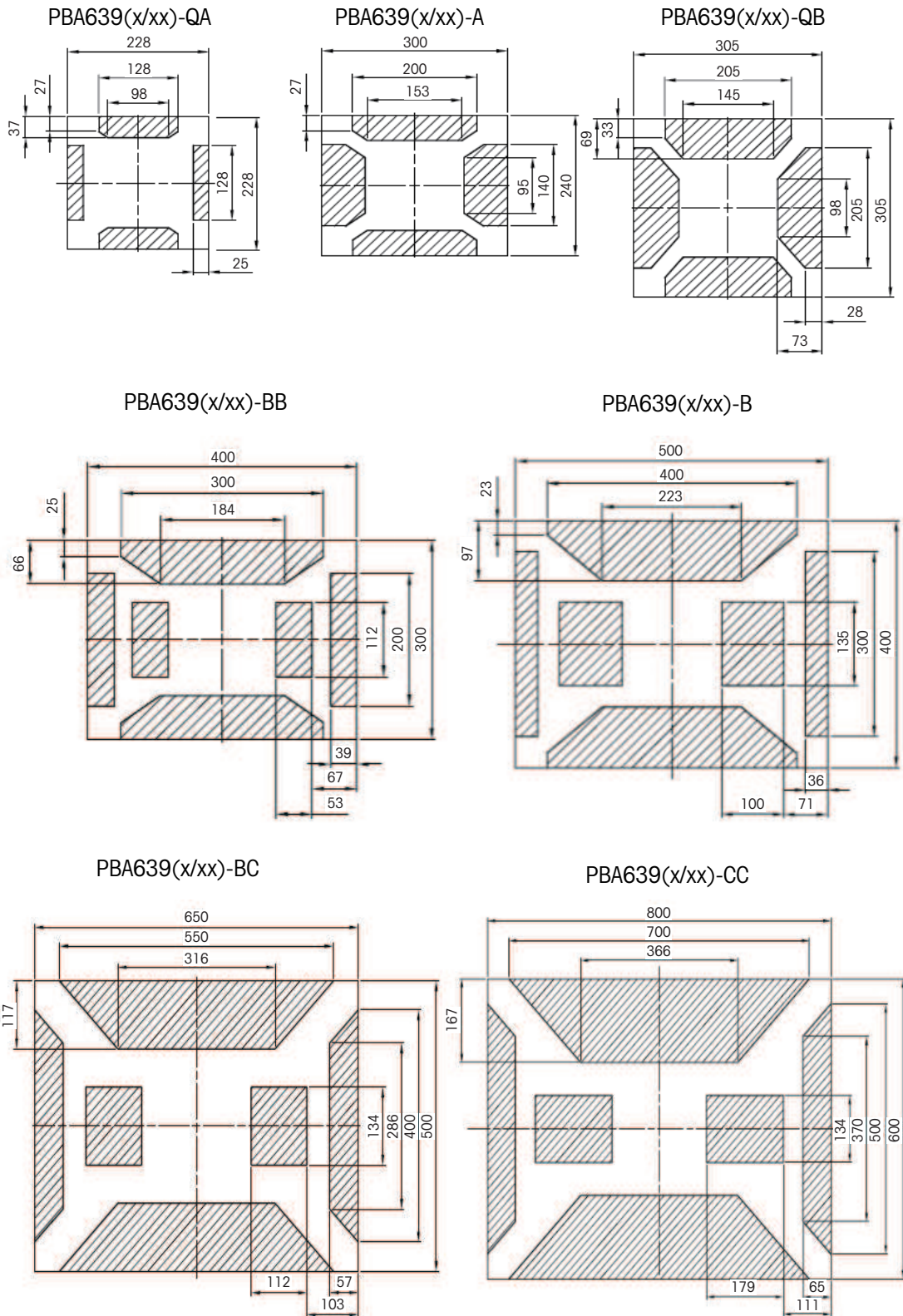
Cikkszám	Meghatározás	Leírás
30676290	Elülső tartókonzol	Az ICS4_9 elülső tartóhoz illeszkedik
30676291	Elülső tartókonzol	Az ICS689 elülső tartóhoz illeszkedik

7 Szerelési lehetőségek

A PBA639(x/xx) felszerelhető stabil eszközre. Abban az esetben, ha a mérőplatformot ki kell fúrni, kövesse az alábbi fúrési mintát.





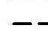
MEGJEGYZÉS: Az árnyékolt területek, ahol a mérőplatform fúrható.






Mértékegység: [mm]



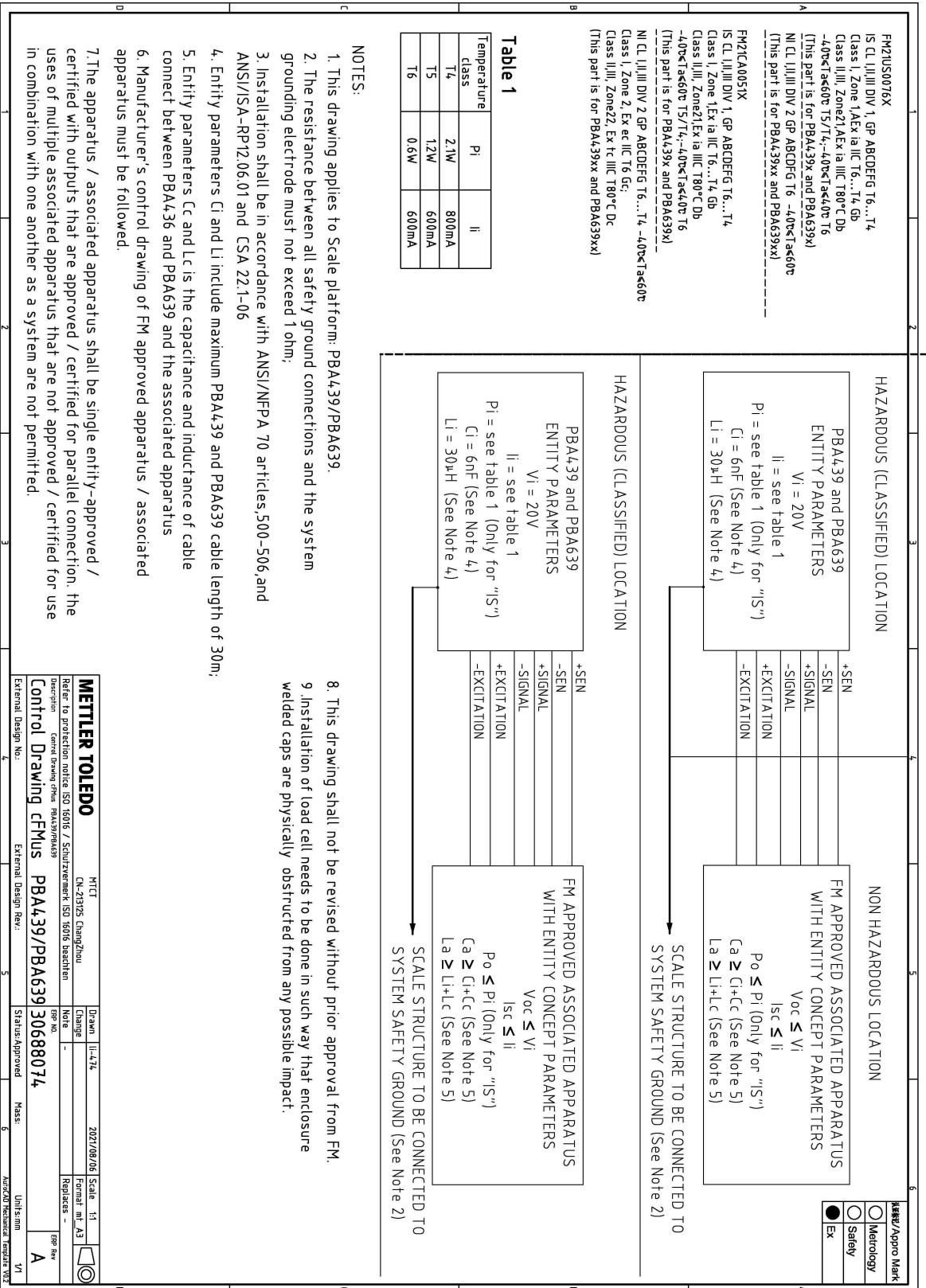
8 Fűgelék

8.1 Címke

<p>IS CL I,II,III DIV 1, GP ABCDEFG T6...T4 Class I, Zone 1, AEx ia IIC T6...T4 Gb Class II,III, Zone21, AEx ia IIIC T80°C Db -40°C<Ta<60°C T5/T4; -40°C<Ta<40°C T6 FM21US0076X</p> <hr/> <p>IS CL I,II,III DIV 1, GP ABCDEFG T6...T4 Class I, Zone 1, Ex ia IIC T6...T4 Gb Class II,III, Zone21, Ex ia IIIC T80°C Db -40°C<Ta<60°C T5/T4; -40°C<Ta<40°C T6 FM21CA0051X</p>	 <p>C APPROVED US IP67</p>	    <p>II 2G Ex ia IIC T6...T4 Gb II 2D Ex ia IIIC T80°C Db -40°C<Ta<60°C T5/T4 -40°C<Ta<40°C T6</p>
<p>Entity/NIFW for NonIncendive Field Wiring. Entity parameters are shown in drawing 30688074 Mettler-Toledo GmbH, Im Langacher 44, 8606 Greifensee, Switzerland</p>		

<p>NI CL I,II,III DIV 2 GP ABCDEFG T6 -40°C<Ta<60°C FM21US0076X</p> <hr/> <p>NI CL I,II,III DIV 2 GP ABCDEFG T6...T4 -40°C<Ta<60°C Class I, Zone 2, Ex ec IIC T6 Gc; Class II,III, Zone22, Ex tc IIIC T80°C Dc FM21CA0051X</p>	 <p>C APPROVED US IP67</p>	    <p>II 3G Ex ic IIC T6...T4 Gc -40°C<Ta<60°C T5/T4 -40°C<Ta<40°C T6</p> <hr/> <p>II 3G Ex ec IIC T6 Gc U_{rated}=20V II 3D Ex tc IIIC T80°C Dc I_{rated}=50mA -40°C<Ta<60°C</p>
<p>Entity/NIFW for NonIncendive Field Wiring. Entity parameters are shown in drawing 30688074 Mettler-Toledo GmbH, Im Langacher 44, 8606 Greifensee, Switzerland</p>		

8.2 Vezérlési rajz



8.3 Beépítési rajz

Hazardous (Classified) Location

IP67 II 3G Ex ic IIC T6...T4 Gc
-40°C ≤ Ta ≤ 60°C T5/T4; -40°C ≤ Ta ≤ 40°C T6

II 3G Ex ec IIC T6 Gc -40°C ≤ Ta ≤ 60°C T6
II 3D Ex tc IIC T80°C Dc
FM21UKEX0080X
FM21ATEX0025X IECEX FMG21.0003X

II 2G Ex ia IIC T6...T4 Gb
-40°C ≤ Ta ≤ 60°C T5/T4; -40°C ≤ Ta ≤ 40°C T6

II 2D Ex ia IIC T80°C Db
FM21UKEX0079X
FM21ATEX0003X IECEX FMG21.0003X

Approval Mark

THIS ITEM IS PART OF AGENCY APPROVED PRODUCT

Metrology
 Safety
 Ex

DO NOT CHANGE DOCUMENT WITHOUT APPROPRIATE APPROVAL

SLP84x Load Cell

U_i = 20V
I_i = see table 2
P_i = see table 2
C_i = 6nF
L_i = 30uH

Ex Approved Associated Apparatus with Entity Concept Parameters

U_o ≤ U_i
I_o ≤ I_i
P_o ≤ P_i
C_o ≥ C_c+C_i
L_o ≥ L_c+L_i

Scale structure (attached to load cell) to be connected to system safety ground. See Note.

NOTES:

- The resistance between all safety ground connections and the system grounding electrode must not exceed 1ohm.
- Installation shall be in accordance with relevant electrical installation standards (Being shown in Table 1) in hazardous areas (other than mines).
- Entity Parameters C_i And L_i Include Maximum Load Cell Cable Length Of 30m
- Entity Parameters C_c and L_c is the capacitance and inductance of cable connect between load cell and the associated apparatus.
- In an explosive atmosphere caused by air/dust mixtures, the loose ends of the cable shall be connected outside the hazardous area or in a suitable enclosure with a degree of protection of at least IP6X in accordance with EN 60529.
- For the application of Ex ec, Ex tc: U_{rated}=20V, I_{rated}=50mA.
- Installation of load cell needs to be done in such way that enclosure welded caps are physically obstructed from any possible impact.
- ⚠ Not following these instructions will jeopardize the explosion safety.
- For the application of Ex ec, The equipment shall only be used in an area of at least pollution degree 2, as defined in IEC 60664-1.

Table 1

EN60079-0: 2018	EN60079-14: 2014	EN60079-11: 2012	EN60079-31: 2014
EN61241-14: 2004	EN60079-31: 2013	EN60079-7: 2015	IEC60079-31: 2013
IEC 60079-0-2017	IEC 60079-11-2011	IEC 60079-14-2013	IEC60079-7: 2015

Table 2

Temperature class	P _i	I _i
T4	2.1W	800mA
T5	1.2W	600mA
T6	0.6W	600mA

Mettler-Toledo GmbH, Im Langacher 44, 8606 Greifensee, Switzerland
Mettler-Toledo Ltd. 64 Boston Rd. Leicester, LE4 1AW, United Kingdom

D	update drawing status	Wang Jianwen	Liu Yuchun	2021-7-26
C	removed Ex nA of note 6	Wang Jianwen	Liu Yuchun	2021-1-15
REV / CHG	DESCRIPTION	BY	APPVD	AGENCY
RECORD OF CHANGES				
METTLER TOLEDO		Drawn	Wang JW	2020/05/11
MTCZ CN-213022 ChangZhou		Change		Scale 1:1
Refer to protection notice ISO 16016 / Schutzvermerk ISO 16016 beachten		Note	-	Format mt_A4
Description 防爆安装图 SLP84X		Replaces	-	
INSTALLATION DRAWING SLP84X ATEX/IECEX		ERP NO.	30555321	ERP Rev
External Design No.: D000644580		Status: Approved	Mass:	Units: mm 1/1
External Design Rev.: D		AutoCAD Mechanical Template V0.2		

hu

Függelék 25

METTLER TOLEDO Service

METTLER TOLEDO'nun kalitesi ve hassasiyetini seçtiğiniz için sizi tebrik ederiz. Yeni ekipmanınızın bu Kılavuza uygun olarak doğru bir şekilde kullanılması ve kalibrasyon ve bakım işlerinin fabrikada eğitilmiş servis ekibimiz tarafından düzenli bir şekilde yapılması ekipmanınızın güvenilir ve doğru bir şekilde çalışmasını sağlayarak yatırımınızı korur. İhtiyaçlarınıza ve bütçenize uygun bir servis anlaşması için bizimle irtibata geçin. Daha fazla bilgi şuradan bulunabilir ► www.mt.com/service.

Yatırımınızın performansını maksimize etmek için yapmanız gereken birkaç önemli şey bulunmaktadır:

- 1 **Ürününüzü kaydedin:** www.mt.com/productregistration adresine giderek ürününüzü kaydedin böylece ürününüzle ilgili geliştirmeler, güncellemeler ve önemli bildirimlerle ilgili olarak sizinle iletişime geçebiliriz.
- 2 **Servis için METTLER TOLEDO ile irtibata geçin:** Bir ölçümün değeri, doğruluğuna bağlıdır – ayarları bozulmuş bir tartı kaliteyi azaltabilir, karları düşürebilir ve yükümlülükleri artırabilir. Servis işlerinin METTLER TOLEDO tarafından zamanlı bir şekilde yapılması doğru sonuçlar alınmasını sağlar, arızasız çalışma süresini ve ekipmanınızın ömrünü artırır.
 - ➔ **Kurulum, Kalibrasyon, Entegrasyon ve Eğitim:** Servis temsilcilerimiz fabrikamızda eğitilmiş tartım ekipmanları uzmanlarıdır. Tartım ekipmanınızın uygun maliyetli ve zamanlı bir şekilde üretime hazır hale getirildiğinden ve personelin bunda başarılı olmak için eğitim aldığından emin olunuz.
 - ➔ **İlk Kalibrasyon Dokümantasyonu:** Kurulum ortamı ve uygulama gereksinimleri her endüstriyel ölçek için farklıdır, bu yüzden performansın test edilmesi ve onaylanması gerekmektedir. Kalibrasyon hizmetlerimiz ve sertifikalarımız, üretimde kaliteyi temin etmek ve kaliteli bir performans kaydı sistemi sağlamak için doğruluğu belgelerir.
 - ➔ **Periyodik Kalibrasyon Bakımı:** Kalibrasyon Servis Anlaşması, tartım sürecinize olan güveninizin devamlılığını ve gerekliliklere uyulduğunun belgelenmesini sağlar. İhtiyaçlarınıza uyacak şekilde planlanmış ve bütçenize göre tasarlanmış çeşitli servis planları sunmaktayız.

İçindekiler

1	Güvenlik talimatları	3
1.1	Amaçlanılan kullanım	3
1.2	Hatalı kullanım	3
1.3	Güvenlik Önlemleri	3
1.4	Özel Kullanım Koşulları.....	3
2	Giriş	4
2.1	Sınıflandırma	4
2.2	Bu Kılavuz Hakkında	4
2.3	Diğer Belgeler	4
3	Kurulum ve kullanım	5
3.1	Tartım Platformunun Tartım Terminaline Bağlanması	5
3.2	Düzleştirme	6
3.3	Eş Potansiyelli Bağlama	6
3.4	Tartım Platformunun Kontrol Edilmesi	6
3.5	Tartım Platformunun Kullanımı.....	7
3.6	Kurulum, Yapılandırma, Servis ve Onarım	7
4	Bakım	8
4.1	Temizlikle İlgili Notlar.....	8
4.2	Daha Sonra Yapılması Gereken İşlemler.....	8
4.3	İmha etme	8
5	Onarım	9
6	Teknik Veriler ve Çalışma Sınırları	10
6.1	Azami Doğrulama Ölçek Aralığı.....	10
6.2	Azami İzin Verilen Yük	10
6.3	Yük Hücresinin Teknik Verileri	11
6.3.1	Patlamaya Karşı Koruma Onayı.....	11
6.3.2	Yük Hücresi Uyumluluk Standardı	11
6.4	Boyutlar	13
6.5	Kapasite Ön Yükleme Hakkında Bilgi	14
6.5.1	Kilogram Cinsinden Önyükleme Tablosu.....	15
6.5.2	Libre Cinsinden Önyükleme Tablosu.....	17
6.6	Aksesuarlar	19
7	Montaj Seçenekleri	20
8	Ek	21
8.1	Etiket	21
8.2	Kontrol Çizimi	22
8.3	Kurulum çizimi	23

1 Güvenlik talimatları

1.1 Amaçlanılan kullanım

PBA639(x/xx) Tartım platformları, gösterge olarak METTLER TOLEDO tartım terminali ve en az bir tartım platformundan oluşan modüler bir tartım sisteminin parçasıdır.

- Tartım platformunu yalnızca bu kılavuz doğrultusunda tartım yapmak için kullanın.
- Tartım platformu yalnızca kapalı mekanlarda kullanım içindir.
- Yalnızca PBA639x/xx tartım platformu yukarıda belirtilen tehlikeli ortamlarda kullanıma uygundur.
- Diğer her tür kullanım, amaçlanmayan kullanım olarak sayılmaktadır.

Yasal metroloji

- Yasal metrolojide kullanım amacıyla yalnızca onaylı tartım platformları kullanın.
- Yasal metrolojide kullanırken, tüm ulusal ağırlık ve ölçüm gereksinimlerine uyulmasından işletici şirket sorumludur.
- Ticari amaçlı kullanımın yasal yönlerini ilgilendiren sorularınız için lütfen METTLER TOLEDO Servis organizasyonu ile iletişim kurun.

1.2 Hatalı kullanım

- Tartım terminalini tartım işleri dışındaki işler için kullanmayın.
- Tartım platformunu --- MISSING LINK --- bölümünde belirtilenler dışındaki ortamlarda kullanmayın.
- Tartım platformunda değişiklik yapmayın.
- Tartım terminalini teknik özellik sınırlarını aşacak şekilde kullanmayın.
- Tartım platformunu mal depolamak için kullanmayın.
- Malların tartım platformunun üzerine düşmesine izin vermeyin.

1.3 Güvenlik Önlemleri

- Tartım platformunun kurulumunu ve bakımını yalnızca METTLER TOLEDO tarafından eğitilen ve onaylanan personel yapabilir.
- Ağır aletleri naklederken ya da kaldırırken dikkatli olun.
- Kurulum, servis, temizlik ve bakım işleri öncesinde tartım platformunun güç kaynağı ile bağlantısını daima kesin.
- Bağlantı kablosunun tartım platformuyla bağlantısı enerji varken kesilmemelidir.
- Güç kaynağını açmadan önce tartım platformunun oda sıcaklığına geldiğinden emin olun.
- PBA639x/xx patlama korumalı tartım platformları aşağıdaki tehlikeli ortamlarda kullanım için onaylanmıştır:
 - ATEX/IECEx Kategori 2, Kategori 3, gaz/toz (Bölge 1/21, Bölge 2/22)
 - cFMus, Sınıf I,II,III, Kısım 1, Kısım 2
- Tartım platformları tehlikeli alanlarda kullanıldığında yaralanma ve hasar riski artar! Bu gibi yerlerde çalışırken özellikle dikkatli olunmalıdır.
- PBA639x/xx tartım platformlarında, tartım hücresi kablosunu tartım terminaline takmak için yalnızca tehlikeli alanlar için uygun ve onaylı kablo rakorları kullanılmalıdır.
- Patlama korumalı tartım platformları tehlikeli alanlarda yalnızca uygun onaya ve arayüz teknik özelliklerine sahip tartım terminalleriyle birlikte kullanılabilir.

1.4 Özel Kullanım Koşulları

- Hava/toz ve nemden kaynaklanan patlayıcı bir atmosferde kablonun kullanılmayan uçları tehlikeli alanın dışına veya IEC/EN 60529'a uygun olarak en az IP6X koruma derecesine sahip uygun bir muhafaza içine bağlanmalıdır.

2 Giriş

2.1 Sınıflandırma

Bu kılavuz PBA639(x/xx) ürün serisine odaklanmaktadır.

PBA639(x/xx) serisi gereksinimlerinizi karşılayacak çeşitli tartım platformları içermektedir. Onaylanabilir ve değişik boyut ve kapasitelerde sunulmaktadır

Tür	Yük Plakası Malzemesi	Tartı Çerçevesi Malzemesi	Yük Hücresi Tasarımı	Çevre IP Koruması	Tehlike onayı
PBA639	Paslanmaz çelik	Paslanmaz çelik	Paslanmaz çelik,	Kuru, ıslak,	-
PBA639x	AISI304, isteğe bağlı /	AISI304	hermetik olarak kapatılmış	IP68/IP69K	Bölge 1/21, Kısım 1
PBA639xx	Paslanmaz çelik AISI316L, isteğe bağlı / Paslanmaz çelik AISI316L, açık tepsi, isteğe bağlı				Bölge 2/22, Kısım 2

2.2 Bu Kılavuz Hakkında



Bu kılavuz, ürünün operatörü için tüm bilgileri içermektedir.

- Kullanmadan önce bu kılavuzu dikkatle okuyun.
- Bu kılavuzu gelecekte başvurmak üzere saklayın.
- Bu kılavuzu ürünün sizden sonraki sahibine ya da kullanıcıya da aktarın.

2.3 Diğer Belgeler

Bu kılavuza ek olarak, ► www.mt.com adresinden aşağıda listelenen belgeleri indirebilirsiniz:

- Broşür
- Kurulum bilgileri (işletici şirketin kontrolündeki eğitimli personel için)
- Tip onay belgeleri

Sertifika İndirme

ABD, Kanada, ATEX, UKEX ve IECEx sertifikaları

► <https://www.mt.com/us/en/home/search/compliance.html/compliance/> adresinden indirilebilir.

3 Kurulum ve kullanım

3.1 Tartım Platformunun Tartım Terminaline Bağlanması

PBA639(x/xx) tartım platformları METTLER TOLEDO tartım terminalleriyle kullanım için tasarlanmıştır.

- 1 Tartım platformu kablosunu kablo rakorundan geçirip tartım terminaline sokun.
- 2 Tartım platformu kablosunu aşağıdaki tabloya uygun olarak tartım terminalinin bağlantı bloğuna bağlayın.

Sinyal	Tel Rengi	Konektör
SIG+	Beyaz	
SIG-	Kırmızı	
EXC+	Yeşil	
EXC-	Siyah	
SEN+	Sarı	
SEN-	Mavi	



UYARI

Kablo kılıfı topraklanmalıdır.

Bağlantılar İçin Güvenlik Önlemleri

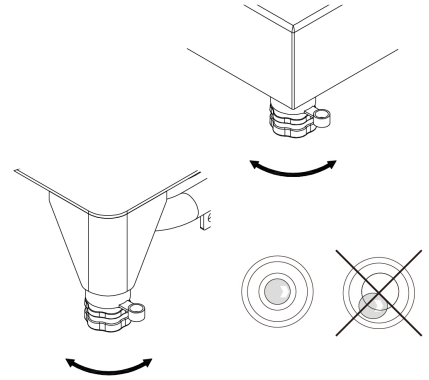
- Tartım platformunu tehlikeli alana bağlarken [Ek ▶ sayfa 21] içerisinde bulunabilecek kontrol çiziminde belirtilen gereksinimlere harfiyen uyun.
- Lütfen [Ek ▶ sayfa 21] içerisinde bulunabilecek çizimlerde ve sertifikalarda verilen özel güvenli kullanım koşullarına göz atın.
- Kablo kılıfı, yük hücresi yay elemanına (yük hücresinin gövdesine) bağlanır. Lütfen kurulum senaryosuna göre yük hücresi ve terminal (veya bağlantı kutusu) arasında uygun bağlantıyı dikkate alın.
- Tüm güvenli topraklama bağlantıları ve sistem topraklama elektrodu arasındaki direnç 1 ohm'ü aşmamalıdır.
- Kurulum, ilgili elektrik tesisatı standartlarına uygun olmalıdır.
- Bu talimatlara uyulmaması, patlamaya karşı güvenliği tehlikeye atacaktır.

3.2 Düzleştirme

Yalnızca tam olarak yatay hizalanan tartım platformları kesin doğru tartım sonuçları verir. Tartım platformunun ilk kurulumda ve yeri değiştirildiğinde düzleştirilmesi gereklidir.

- 1 Tartım platformunun ayarlanabilir ayaklarını, su terazisindeki hava kabarcığı iç halkanın içine denk gelene kadar çevirin.
- 2 Ayarlanabilir ayakların kilitleme somunlarını sıkın.

👉 **Videoyu seyretmek için QR kodu tarayın**

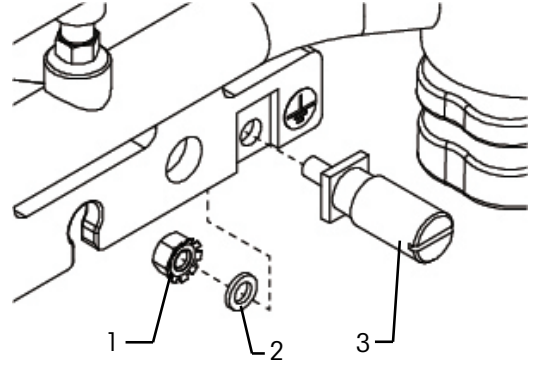


3.3 Eş Potansiyelli Bağlama

PBA639x/xx tartım platformlarının eş potansiyelli bağlaması fabrikada yapılır. Kablolar müşterinin tesisinde profesyonel bir elektrikçi tarafından takılmalıdır. Burada METTLER TOLEDO Servisinin yalnızca takip ve danışmanlık görevi bulunmaktadır. Tüm aletlerin (tartım platformu ve tartım terminali) eş potansiyelli bağlamasını (PA) ülkenizin düzenlemeleri ve standartlarına uygun olarak bağlayın. Bu yapılırken, bütün alet muhafazalarının PA terminali üzerinden aynı potansiyele bağlanması gerekmektedir.

Not

Ekipman, IEC60950, sınıf II'ye uygun olarak elektrik çarpmasına karşı korumalıdır.



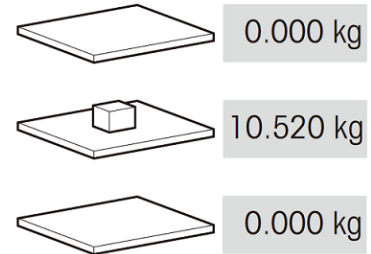
- 1 - Altıgen kilitleme somunu, M4 KEPS
- 2 - Pul
- 3 - Eş potansiyelli bağlama terminali, tork 3,5 Nm

Eş potansiyelli bağlama kiti
72237321 sipariş numarası

3.4 Tartım Platformunun Kontrol Edilmesi

Çalışma Kontrolü

- 1 Tartım platformunun bir tartım terminaline bağlı olduğundan ve tartım terminalinin açık duruma getirildiğinden emin olun.
- 2 Tartım platformunda yük olmadığından ve tartım terminalinin ekranının 0 gösterdiğinden emin olun.
- 3 Tartım platformunu yükleyin. Tartım terminali 0'dan farklı bir değer göstermelidir.
- 4 Tartım platformundaki yükü boşaltın. Tartım terminali 0'a geri dönmelidir.



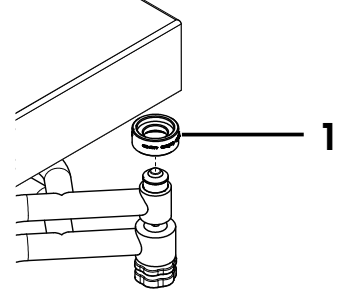
Doğrulama Testi

Doğrulama testi için, bağlı durumdaki tartım terminalinin kullanım kılavuzuna başvurun. Doğrulama mührü kırıldığında, doğrulama geçerliliğini kaybeder.

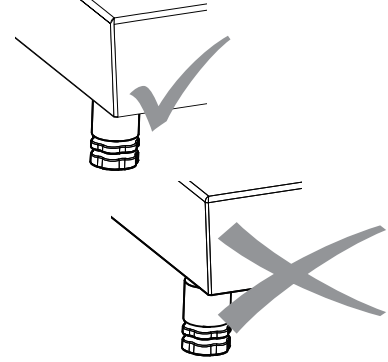
3.5 Tartım Platformunun Kullanımı

En iyi tartım sonuçlarını elde etmek için aşağıdakilere uyun:

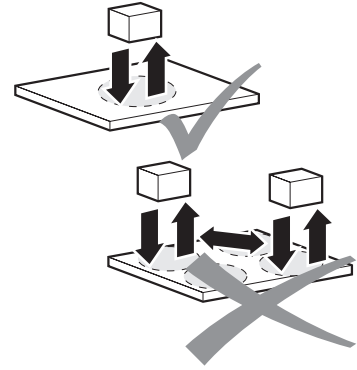
- Eğer tartım platformu, yük plakası altında koruyucu taşıma pedleriyle (1) birlikte teslim edilirse, kullanım durumuna almadan önce koruyucu taşıma pedlerini çıkarın.



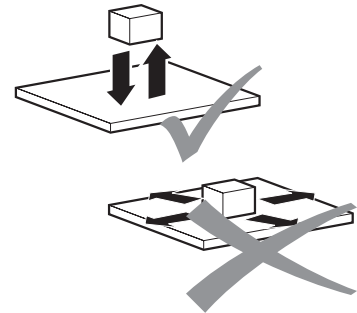
- Yük plakasının doğru yerleştirildiğinden emin olun.



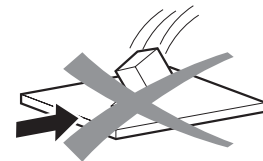
- En iyi tartım sonuçlarına ulaşmak için, tartım numunesini daima tartım platformu üzerinde aynı konuma yerleştirin.



- Aşındırıcı ve yıpratıcı işlemlerden kaçının.



- Yüklerin düşmesi, sarsılmalar ve yanal darbelerden koruyun.



3.6 Kurulum, Yapılandırma, Servis ve Onarım

Tartım platformlarının kurulum, yapılandırma, servis ve onarımları için METTLER TOLEDO Servisini arayın.

4 Bakım

4.1 Temizlikle İlgili Notlar

Not

Temizlik maddelerinin yanlış kullanılmasından ötürü tartım platformuna zarar verilmesi.

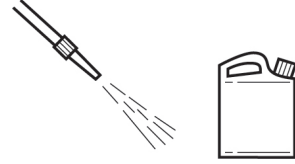
- Dezenfektanlar ve temizlik maddelerini yalnızca üreticilerinin talimatlarına uygun olarak kullanın.
- Yüksek derecede asitli, yüksek derecede alkali ya da yüksek derecede klorlu temizlik maddeleri kullanmayın. Yüksek ya da düşük pH değerine sahip maddeler kullanmayın, çünkü bunu yapmanız aşınma tehlikesini artırır.
- Yük hücrelerini temizlerken özellikle dikkatli olun.

Temizlik Prosedürü

- Tartım platformunun dışındaki ve içindeki kir ve artıkları düzenli aralıklarla temizleyin.
 - Bu prosedür yüzey türüne ve kurulumun yapıldığı ortamda hakim olan şartlara göre değişir.

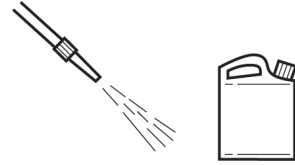
Islak bir ortamda temizlik (paslanmaz çelik versiyonlar)

- 80 °C / 176 °F ve azami 80 bara kadar, minimum 40 cm'den 16" su jeti kullanın.
- Ev temizlik maddeleri kullanın.



Aşındırıcı bir ortamda temizlik (paslanmaz çelik versiyonlar)

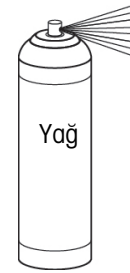
- Bir su jeti kullanın.
 - İç temizlik**, yük hücresi, yük plakası açık: 60 °C / 140 °F ve azami 2 bara kadar, minimum 40 cm'den (16").
 - Dış temizlik**, yük plakası kapalı: 80 °C / 176 °F ve azami 80 bara kadar, minimum 40 cm'den (16").
- Aşındırıcı maddeleri düzenli aralıklarla temizleyin.
- Dezenfektanlar ve temizlik maddelerini yalnızca üreticilerinin şartnameleri ve talimatlarına uygun olarak kullanın.



4.2 Daha Sonra Yapılması Gereken İşlemler

Tartıyı korumak için daha sonra aşağıdaki işlemleri yapın:

- Tartıyı temiz suyla durulayın ve üzerindeki temizlik maddesini tamamen temizleyin.
- Tartıyı tüy bırakmayan bir bezle kurutun.
- Paslanmaz çelik tartılarda, iç ve dış tarafı gıdalar için uygun bir yağla yağlayın.



4.3 İmha etme

Atık Elektrikli ve Elektronik Ekipman (WEEE) hakkındaki 2012/19/EU sayılı Avrupa Birliği Direktifi uyarınca bu cihaz evsel atıklar ile atılamaz. Bu kural, kendilerine özgü gereksinimlerine göre, AB dışındaki ülkeler için de geçerlidir.

Lütfen bu ürünü yerel mevzuata uygun biçimde, elektrikli ve elektronik ekipman için belirlenen toplama noktasına bırakın. Herhangi bir sorunuz varsa lütfen resmi yetkili veya bu cihazı aldığınız distribütör ile iletişime geçin. Bu cihazın başkalarına devredilmesi halinde bu mevzuatın içeriği de iletilmelidir.



5 Onarım

Bu ekipman tehlikeli yerlerde kullanım için onaylanmıştır, bu nedenle üzerinde deęişiklik yapılması yasaktır. Onarımlar sadece bu ekipmanın onarımı için özel olarak eğitim almış personel tarafından yapılmalıdır.

6 Teknik Veriler ve Çalışma Sınırları

6.1 Azami Doğrulama Ölçek Aralığı

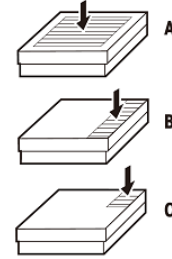
Azami doğrulama ölçek aralığı [e] / OIML	Kapasite							
	3 kg	6 kg	15 kg	30 kg	60 kg	150 kg	300 kg	600 kg
2 x 3000e MR	-	3 / 0.001	6 / 0.002	15 / 0.005	30 / 0.01	60 / 0.02	150 / 0.05	300 / 0.1
Max / e [kg]	-	6 / 0.002	15 / 0.005	30 / 0.01	60 / 0.02	150 / 0.05	300 / 0.1	600 / 0.2

Azami doğrulama ölçek aralığı [d] / NTEP	Kapasite							
	-	10 lb	25 lb	50 lb	100 lb	250 lb	500 lb	1000 lb
1 x 5000d Max / d [lb]	-	10 / 0.002	25 / 0.005	50 / 0.01	100 / 0.02	250 / 0.05	500 / 0.1	1000 / 0.2

6.2 Azami İzin Verilen Yük

Tüm tartım platformlarında aşırı yük koruması bulunur. Tartı tasarımının sağlam olması sebebiyle, bazen platformun anma kapasitesini hasar vermeksizin aşabilirsiniz. Azami statik güvenli yük sınırı asla aşılmamalıdır.

- Aşağıdaki kullanım sınırlarına dikkat edin.



Model	A - Merkezi Yük	B - Yan Yük	C - Köşe Yük
PBA639(x/xx)-QA	50 kg / 110 lb	35 kg / 77 lb	20 kg / 44 lb
PBA639(x/xx)-A	50 kg / 110 lb	35 kg / 77 lb	20 kg / 44 lb
PBA639(x/xx)-QB	120 kg / 265 lb	80 kg / 176 lb	40 kg / 88 lb
PBA639(x/xx)-BB	120 kg / 265 lb	80 kg / 176 lb	40 kg / 88 lb
PBA639(x/xx)-B	220 kg / 485 lb	150 kg / 331 lb	80 kg / 176 lb
PBA639(x/xx)-BC	450 kg / 992 lb	350 kg / 772 lb	180 kg / 397 lb
PBA639(x/xx)-CC	750 kg / 1653 lb	400 kg / 882 lb	200 kg / 440 lb



UYARI

Üzerine yük düşmesine, şok yüklerine ve yandan gelecek darbelere karşı koruyun.

6.3 Yük Hücresinin Teknik Verileri

Anma Çıkışı	mV/V	1,8 ± 0,2
Giriş Direnci	Ω	384 ± 15
Çıkış Direnci	Ω	350 ± 4
Önerilen Voltaj	V (DC / AC)	5 - 15
Azami İkaz Voltajı	V (DC / AC)	20
Kablo Kılıfı	-	PVC
IP Koruma Sınıfı	-	IP68 / IP69K

6.3.1 Patlamaya Karşı Koruma Onayı

Bu bölüm yalnızca ürünün Patlamaya karşı koruma ile ilgili özelliklerini kapsamaktadır.

Yük Hücresi SLP84x(x=6,7,8) aşağıdakilere uygundur:

ATEX Sertifikası	FM21ATEX0003X, FM21ATEX0025X
Birleşik Krallık Sertifikası	FM21UKEX0079X, FM21UKEX0080X
IECEX Sertifikası	IECEX FMG21.0003X
ABD Sertifikası	FM21US0005X
Kanada Sertifikası	FM21CA0002X

Yukarıda listelenen sertifikalar ve ilgili kurulum çizimleri için lütfen [Ek ► sayfa 21] bölümüne bakın.

6.3.2 Yük Hücresi Uyumluluk Standardı

ABD Standartları

İsim	Numara	Veriliş Tarihi
Tehlikeli (Olarak Sınıflandırılmış) Yerlerde Kullanıma Uygun Elektrikli Ekipmanlar – Genel Gereksinimler	FM Sınıf 3600	2018
Sınıf I, II ve III, Kısım 1, Tehlikeli (Olarak Sınıflandırılmış) Yerlerde Kullanıma Uygun Kendinden Emniyetli Cihazlar ve Birlikte Kullanılan Cihazlar	FM Sınıf 3610	2021
Sınıf I ve II, Kısım 2 ve Sınıf III, Kısım 1 ve 2, Tehlikeli (Olarak Sınıflandırılmış) Yerlerde Kullanıma Uygun Patlayıcı Ortamı Ateşlemeyen Elektrikli Ekipmanlar	FM Sınıf 3611	2021
Ölçüm, Kontrol ve Laboratuvarında Kullanıma Uygun Elektrikli Ekipmanlar	FM Sınıf 3810	2021
Patlayıcı atmosferler - Kısım 0: Ekipmanlar - Genel gereksinimler	ANSI/UL 60079-0	2019
Patlayıcı atmosferler – Kısım 11: Kendinden emniyetli “i” ekipman koruması	ANSI/ISA 60079-11	2014
Sınıf I ve II, Kısım 2 ve Sınıf III, Kısım 1 ve 2, tehlikeli (olarak sınıflandırılmış) yerlerde kullanıma uygun patlayıcı ortamı ateşlemeyen elektrikli ekipmanlar	ANSI/UL 121201	2017
Ölçüm, Kontrol ve Laboratuvarında Kullanıma Uygun Elektrikli Ekipmanlar İçin Güvenlik Gereksinimleri – Kısım 1: Genel Gereksinimler	ANSI/UL 61010-1	2012
Muhafazalarla Sağlanan Koruma Dereceleri (IP Kodu)	ANSI/IEC 60529	2020

Kanada Standartları

İsim	Numara	Veriliş Tarihi
Sınıf I, Kısım 2 Tehlikeli Yerlerde Kullanıma Uygun Patlayıcı Ortamı Ateşlemeyen Elektrikli Ekipmanlar	CSA C22.2 No. 213	2017
Patlayıcı atmosferler - Kısım 0: Ekipmanlar - Genel gereksinimler	CAN/CSA-C22.2 No. 60079-0	2019
Patlayıcı atmosferler - Kısım 11: Kendinden emniyetli “i” ekipman koruması	CAN/CSA-C22.2 No. 60079-11	2014

İsim	Numara	Veriliş Tarihi
Patlayıcı atmosferler - Kısım 7: Güvenliği artırılmış "e" ekipman koruması	CAN/CSA-C22.2 No. 60079-7	2018
Patlayıcı atmosferler - Kısım 31: Muhafaza "t" ile ekipman toz tutuşma koruması	CAN/CSA-C22.2 No. 60079-31	2015
Ölçüm, Kontrol ve Laboratuvarda Kullanıma Uygun Elektrikli Ekipmanlar İçin Güvenlik Gereksinimleri – Kısım 1: Genel Gereksinimler	CSA C22.2 No. 61010-1	2012
Muhafazalarla Sağlanan Koruma Dereceleri (IP Kodu)	CSA C22.2 No. 60529	2016

IECEx Standartları

İsim	Numara	Veriliş Tarihi
Patlayıcı atmosferler - Kısım 0: Ekipmanlar - Genel gereksinimler	IEC 60079-0	2017
Patlayıcı atmosferler - Kısım 11: Kendinden emniyetli "i" ekipman koruması	IEC 60079-11	2011
Patlayıcı atmosferler - Kısım 7: Güvenliği artırılmış "e" ekipman koruması	IEC 60079-7	2017
Patlayıcı atmosferler - Kısım 31: Muhafaza "t" ile ekipman toz tutuşma koruması	IEC 60079-31	2013
Muhafazalarla Sağlanan Koruma Dereceleri (IP Kodu)	IEC 60529	2013

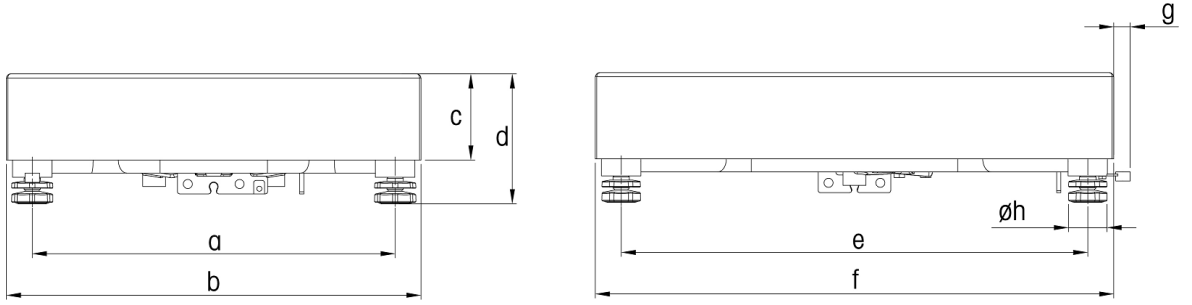
ATEX Standartları

İsim	Numara	Veriliş Tarihi
Patlayıcı atmosferler - Kısım 0: Ekipmanlar - Genel gereksinimler	EN IEC 60079-0	2018
Patlayıcı atmosferler - Kısım 11: Kendinden emniyetli "i" ekipman koruması	EN 60079-11	2012
Patlayıcı atmosferler - Kısım 7: Güvenliği artırılmış "e" ekipman koruması	EN 60079-7	2015 +A1:2018
Patlayıcı atmosferler - Kısım 31: Muhafaza "t" ile ekipman toz tutuşma koruması	EN 60079-31	2014
Muhafazalarla Sağlanan Koruma Dereceleri (IP Kodu)	EN 60529	1991 + A1:2000 + A2:2013

UKEX Standartları

İsim	Numara	Veriliş Tarihi
Patlayıcı atmosferler - Kısım 0: Ekipmanlar - Genel gereksinimler	EN IEC 60079-0	2018
Patlayıcı atmosferler - Kısım 11: Kendinden emniyetli "i" ekipman koruması	EN 60079-11	2012
Patlayıcı atmosferler - Kısım 7: Güvenliği artırılmış "e" ekipman koruması	EN 60079-7	2015 +A1:2018
Patlayıcı atmosferler - Kısım 31: Muhafaza "t" ile ekipman toz tutuşma koruması	EN 60079-31	2014
Muhafazalarla Sağlanan Koruma Dereceleri (IP Kodu)	EN 60529	1991 + A1:2000 + A2:2013

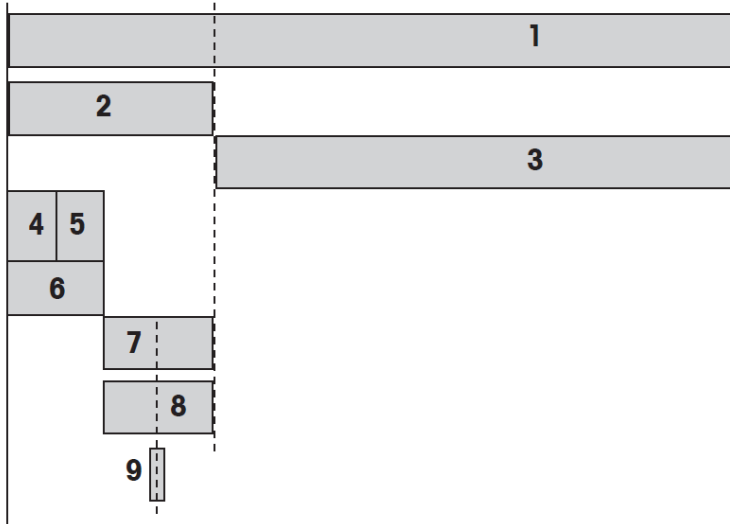
6.4 Boyutlar



Boyutlar		a	b	c	d *	e	f	g	h
PBA639(x/xx)-QA	mm	178	228	70	110	178	228	21	40
	inç	7,01	8,98	2,76	4,33	7,01	8,98	0,83	1,57
PBA639(x/xx)-A	mm	190	240	70	110	250	300	21	40
	inç	7,48	9,45	2,76	4,33	9,84	11,81	0,83	1,57
PBA639(x/xx)-QB	mm	255	305	70	110	255	305	21	40
	inç	10,04	12,01	2,76	4,33	10,04	12,01	0,83	1,57
PBA639(x/xx)-BB	mm	250	300	70	110	350	400	21	40
	inç	9,84	11,81	2,76	4,33	13,78	15,75	0,83	1,57
PBA639(x/xx)-B	mm	350	400	83	126	450	500	21	40
	inç	13,78	15,75	3,27	4,96	17,72	19,69	0,83	1,57
PBA639(x/xx)-BC	mm	450	500	90	134	600	650	21	40
	inç	17,72	19,69	3,54	5,28	23,62	25,59	0,83	1,57
PBA639(x/xx)-CC	mm	550	600	90	134	750	800	21	40
	inç	21,65	23,62	3,54	5,28	29,53	31,50	0,83	1,57
PBA639(x/xx)-CC600	mm	550	600	94	140,5	750	800	21	40
	inç	21,65	23,62	3,70	5,53	29,53	31,50	0,83	1,57

* : d= minimum platform yüksekliği. Ayarlanabilir tartı ayakları ile platform yüksekliği azami 5 mm / 0,20 inç artırılabilir.

6.5 Kapasite Ön Yükleme Hakkında Bilgi



1	Yük hücresinin azami yük aralığı (E_{azami})
2	Azami ön yükleme = Azami yük aralığı 1 – Azami yük 3
3	Azami yük = Azami yük aralığı 1 – Azami ön yükleme 2
4	Üst kısım ön yükleme
5	Kefe ön yükleme
6	Ön yükleme fabrikada teslim = Üst kısım ön yükleme 4 + Kefe ön yükleme 5
7	Mekanik ön yükleme rezervi = Azami ön yükleme 2 – Ön yükleme fabrikada teslim 6
8	Sıfıra ayarla aralığı (açma) ayarlanabilir. Sıfıra ayarla aralığı azami ön yükleme içerisinde olmalıdır. Sıfıra ayarla aralığı, azami yükün en fazla %18'i kadar olabilir.
9	Sıfıra ayarla aralığı, azami yükün $\pm\%2$ 'si

6.5.1 Kilogram Cinsinden Önyükleme Tablosu

Standart Tepsili PBA639(x/xx), 304 / 316L

Tür	Boyutlar [mm]	Azami yük (3)	Üst kısım ön yükleme (4)	Kefe ön yükleme (5)	Ön yükleme fabrikada teslim (6)	Mekanik ön yükleme rezervi (7)	Sıfıra ayarla aralığı (8)	Azami yük aralığı (1)
PBA639(x/xx)-QA3	228x228	3	0,71	1,90	2,61	5,39	0,54	11
PBA639(x/xx)-QA6	228x228	6	0,71	1,90	2,61	2,39	1,08	11
PBA639(x/xx)-A3	240x300	3	0,80	2,40	3,20	4,80	0,54	11
PBA639(x/xx)-A6	240x300	6	0,80	2,40	3,20	1,80	1,08	11
PBA639(x/xx)-A15	240x300	15	0,80	2,40	3,20	3,80	2,70	22
PBA639(x/xx)-QB15	305x305	15	1,42	2,80	4,22	2,78	2,70	22
PBA639(x/xx)-QB30	305x305	30	1,42	2,80	4,22	25,78	5,40	60
PBA639(x/xx)-QB60	305x305	60	1,42	2,80	4,22	35,78	10,80	100
PBA639(x/xx)-BB30	300x400	30	2,00	3,50	5,50	24,50	5,40	60
PBA639(x/xx)-BB60	300x400	60	2,00	3,50	5,50	34,50	10,80	100
PBA639(x/xx)-B30	400x500	30	3,99	5,50	9,49	20,51	5,40	60
PBA639(x/xx)-B60	400x500	60	3,99	5,50	9,49	30,51	10,80	100
PBA639(x/xx)-B150	400x500	150	3,99	5,50	9,49	40,51	27,00	200
PBA639(x/xx)-BC60	500x650	60	6,93	8,40	15,33	24,67	10,80	100
PBA639(x/xx)-BC150	500x650	150	6,93	8,40	15,33	84,67	27,00	250
PBA639(x/xx)-BC300	500x650	300	6,93	8,40	15,33	184,67	54,00	500
PBA639(x/xx)-CC60	600x800	60	10,53	11,50	22,03	17,97	10,80	100
PBA639(x/xx)-CC150	600x800	150	10,53	11,50	22,03	77,97	27,00	250
PBA639(x/xx)-CC300	600x800	300	10,53	11,50	22,03	177,97	54,00	500
PBA639(x/xx)-CC600	600x800	600	10,53	14,70	25,23	124,77	108,00	750

Açık Tepsili PBA639(x/xx), 304 / 316L

Tür	Boyutlar [mm]	Azami yük (3)	Üst kısım ön yükleme (4)	Kefe ön yükleme (5)	Ön yükleme fabrikada teslim (6)	Mekanik ön yükleme rezervi (7)	Sıfıra ayarla aralığı (8)	Azami yük aralığı (1)
PBA639(x/xx)-QA3	228x228	3	0,71	1,20	1,91	6,09	0,54	11
PBA639(x/xx)-QA6	228x228	6	0,71	1,20	1,91	3,09	1,08	11
PBA639(x/xx)-A3	240x300	3	0,80	1,50	2,30	5,70	0,54	11
PBA639(x/xx)-A6	240x300	6	0,80	1,50	2,30	2,70	1,08	11
PBA639(x/xx)-A15	240x300	15	0,80	1,50	2,30	4,70	2,70	22
PBA639(x/xx)-QB15	305x305	15	1,42	1,80	3,22	3,78	2,70	22
PBA639(x/xx)-QB30	305x305	30	1,42	1,80	3,22	26,78	5,40	60
PBA639(x/xx)-QB60	305x305	60	1,42	1,80	3,22	36,78	10,80	100
PBA639(x/xx)-BB30	300x400	30	2,00	2,30	4,30	25,70	5,40	60
PBA639(x/xx)-BB60	300x400	60	2,00	2,30	4,30	35,70	10,80	100
PBA639(x/xx)-B30	400x500	30	3,99	5,60	9,59	20,41	5,40	60
PBA639(x/xx)-B60	400x500	60	3,99	5,60	9,59	30,41	10,80	100
PBA639(x/xx)-B150	400x500	150	3,99	5,60	9,59	40,41	27,00	200

Tepsisiz PBA639(x/xx)

Tür	Boyutlar [mm]	Azami yük (3)	Üst kısım ön yükleme (4)	Kefe ön yükleme (5)	Ön yükleme fabrikada teslim (6)	Mekanik ön yükleme rezervi (7)	Sıfıra ayarla aralığı (8)	Azami yük aralığı (1)
PBA639(x/xx)-QA3	228x228	3	0,71	0	0,71	7,286	0,54	11
PBA639(x/xx)-QA6	228x228	6	0,71	0	0,71	4,29	1,08	11
PBA639(x/xx)-A3	240x300	3	0,80	0	0,80	7,20	0,54	11
PBA639(x/xx)-A6	240x300	6	0,80	0	0,80	4,20	1,08	11
PBA639(x/xx)-A15	240x300	15	0,80	0	0,80	6,20	2,70	22
PBA639(x/xx)-QB15	305x305	15	1,42	0	1,42	5,58	2,70	22
PBA639(x/xx)-QB30	305x305	30	1,42	0	1,42	28,58	5,40	60
PBA639(x/xx)-QB60	305x305	60	1,42	0	1,42	38,58	10,80	100
PBA639(x/xx)-BB30	300x400	30	2,00	0	2,00	28,00	5,40	60
PBA639(x/xx)-BB60	300x400	60	2,00	0	2,00	38,00	10,80	100
PBA639(x/xx)-B30	400x500	30	3,99	0	3,99	26,01	5,40	60
PBA639(x/xx)-B60	400x500	60	3,99	0	3,99	36,01	10,80	100
PBA639(x/xx)-B150	400x500	150	3,99	0	3,99	46,01	27,00	200
PBA639(x/xx)-BC60	500x650	60	6,93	0	6,93	33,07	10,80	100
PBA639(x/xx)-BC150	500x650	150	6,93	0	6,93	93,07	27,00	250
PBA639(x/xx)-BC300	500x650	300	6,93	0	6,93	193,07	54,00	500
PBA639(x/xx)-CC60	600x800	60	10,53	0	10,53	29,47	10,80	100
PBA639(x/xx)-CC150	600x800	150	10,53	0	10,53	89,47	27,00	250
PBA639(x/xx)-CC300	600x800	300	10,53	0	10,53	189,47	54,00	500
PBA639(x/xx)-CC600	600x800	600	10,53	0	10,53	139,47	108,00	750

6.5.2 Libre Cinsinden Önyükleme Tablosu

Standart Tepsili PBA639(x/xx), 304 / 316L

Tür	Boyutlar [inç]	Azami yük (3)	Üst kısım ön yükleme (4)	Kefe ön yükleme (5)	Ön yükleme fabrikada teslim (6)	Mekanik ön yükleme rezervi (7)	Sıfıra ayarla aralığı (8)	Azami yük aralığı (1)
PBA639(x/xx)-QA6	9x9	10	1,57	4,19	5,76	8,49	1,8	24
PBA639(x/xx)-A6	9,5x11,8	10	1,75	5,29	7,05	7,20	1,8	24
PBA639(x/xx)-A15	9,5x11,8	25	1,75	5,29	7,05	16,46	4,5	49
PBA639(x/xx)-QB15	12x12	25	3,13	6,17	9,30	14,20	4,5	49
PBA639(x/xx)-QB30	12x12	50	3,13	6,17	9,30	72,98	9,0	132
PBA639(x/xx)-QB60	12x12	100	3,13	6,17	9,30	111,16	18,0	220
PBA639(x/xx)-BB30	11,8x15,7	50	4,41	7,72	12,12	70,15	9,0	132
PBA639(x/xx)-BB60	11,8x15,7	100	4,41	7,72	12,12	108,34	18,0	220
PBA639(x/xx)-B30	15,7x19,7	50	8,79	12,13	20,92	61,36	9,0	132
PBA639(x/xx)-B60	15,7x19,7	100	8,79	12,13	20,92	99,55	18,0	220
PBA639(x/xx)-B150	15,7x19,7	250	8,79	12,13	20,92	170,01	45,0	441
PBA639(x/xx)-BC60	19,7x25,6	100	15,27	18,52	33,79	86,67	18,0	220
PBA639(x/xx)-BC150	19,7x25,6	250	15,27	18,52	33,79	267,37	45,0	551
PBA639(x/xx)-BC300	19,7x25,6	500	15,27	18,52	33,79	568,52	90,0	1102
PBA639(x/xx)-CC60	23,6x29,5	100	23,21	25,35	48,56	71,90	18,0	220
PBA639(x/xx)-CC150	23,6x29,5	250	23,21	25,35	48,56	252,60	45,0	551
PBA639(x/xx)-CC300	23,6x29,5	500	23,21	25,35	48,56	553,75	90,0	1102
PBA639(x/xx)-CC600	23,6x29,5	1000	23,21	32,41	55,61	597,85	180,0	1653

Açık Tepsili PBA639(x/xx), 304 / 316L

Tür	Boyutlar [inç]	Azami yük (3)	Üst kısım ön yükleme (4)	Kefe ön yükleme (5)	Ön yükleme fabrikada teslim (6)	Mekanik ön yükleme rezervi (7)	Sıfıra ayarla aralığı (8)	Azami yük aralığı (1)
PBA639(x/xx)-QA6	9x9	10	1,57	2,65	4,22	10,03	1,8	24
PBA639(x/xx)-A6	9,5x11,8	10	1,75	3,31	5,06	9,19	1,8	24
PBA639(x/xx)-A15	9,5x11,8	25	1,75	3,31	5,06	18,44	4,5	49
PBA639(x/xx)-QB15	12x12	25	3,13	3,97	7,10	16,41	4,5	49
PBA639(x/xx)-QB30	12x12	50	3,13	3,97	7,10	75,18	9,0	132
PBA639(x/xx)-QB60	12x12	100	3,13	3,97	7,10	113,37	18,0	220
PBA639(x/xx)-BB30	11,8x15,7	50	4,41	5,07	9,48	72,80	9,0	132
PBA639(x/xx)-BB60	11,8x15,7	100	4,41	5,07	9,48	110,98	18,0	220
PBA639(x/xx)-B30	15,7x19,7	50	8,79	12,35	21,14	61,14	9,0	132
PBA639(x/xx)-B60	15,7x19,7	100	8,79	12,35	21,14	99,33	18,0	220
PBA639(x/xx)-B150	15,7x19,7	250	8,79	12,35	21,14	169,79	45,0	441

Tepsisiz PBA639(x/xx)

Tür	Boyutlar [inç]	Azami yük (3)	Üst kısım ön yükleme (4)	Kefe ön yükleme (5)	Ön yükleme fabrikada teslim (6)	Mekanik ön yükleme rezervi (7)	Sıfıra ayarla aralığı (8)	Azami yük aralığı (1)
PBA639(x/xx)-QA6	9x9	10	1,57	0,00	1,57	12,68	1,8	24
PBA639(x/xx)-A6	9,5x11,8	10	1,75	0,00	1,75	12,50	1,8	24
PBA639(x/xx)-A15	9,5x11,8	25	1,75	0,00	1,75	21,75	4,5	49

Tür	Boyutlar [inç]	Azami yük (3)	Üst kısım ön yükleme (4)	Kefe ön yükleme (5)	Ön yükleme fabrikada teslim (6)	Mekanik ön yükleme rezervi (7)	Sıfıra ayarla aralığı (8)	Azami yük aralığı (1)
PBA639(x/xx)-QB15	12x12	25	3,13	0,00	3,13	20,37	4,5	49
PBA639(x/xx)-QB30	12x12	50	3,13	0,00	3,13	79,15	9,0	132
PBA639(x/xx)-QB60	12x12	100	3,13	0,00	3,13	117,33	18,0	220
PBA639(x/xx)-BB30	11,8x15,7	50	4,41	0,00	4,41	77,87	9,0	132
PBA639(x/xx)-BB60	11,8x15,7	100	4,41	0,00	4,41	116,06	18,0	220
PBA639(x/xx)-B30	15,7x19,7	50	8,79	0,00	8,79	73,49	9,0	132
PBA639(x/xx)-B60	15,7x19,7	100	8,79	0,00	8,79	111,67	18,0	220
PBA639(x/xx)-B150	15,7x19,7	250	8,79	0,00	8,79	182,13	45,0	441
PBA639(x/xx)-BC60	19,7x25,6	100	15,27	0,00	15,27	105,19	18,0	220
PBA639(x/xx)-BC150	19,7x25,6	250	15,27	0,00	15,27	285,89	45,0	551
PBA639(x/xx)-BC300	19,7x25,6	500	15,27	0,00	15,27	587,04	90,0	1102
PBA639(x/xx)-CC60	23,6x29,5	100	23,21	0,00	23,21	97,26	18,0	220
PBA639(x/xx)-CC150	23,6x29,5	250	23,21	0,00	23,21	277,95	45,0	551
PBA639(x/xx)-CC300	23,6x29,5	500	23,21	0,00	23,21	579,11	90,0	1102
PBA639(x/xx)-CC600	23,6x29,5	1000	23,21	0,00	23,21	630,26	180,0	1653

6.6 Aksesuarlar

Sütun

Ürün #	Tanımlama	Tanım
30676281	Sütun açık 330 mm / 13"	Tüm platform boyutlarına uygundur
30676282	Sütun açık 660 mm / 26"	Tüm platform boyutlarına uygundur
30676283	Sütun açık 900 mm / 35,4"	A boyutundan büyük tüm platform boyutlarına uygundur
30676284	Sütun kapalı 330 mm / 13"	Tüm platform boyutlarına uygundur
30676285	Sütun kapalı 660 mm / 26"	Tüm platform boyutlarına uygundur
30676286	Sütun kapalı 900 mm / 35,4"	A boyutundan büyük tüm platform boyutlarına uygundur

Paslanmaz Çelik El Arabası

Ürün #	Tanımlama	Tanım
72225939	Paslanmaz çelik el arabası BC	500 × 650 mm platform için uygundur
72225940	Paslanmaz çelik el arabası CC	600 × 800 mm platform için uygundur

Rulman Yatağı

Ürün #	Tanımlama	Tanım
30253326	Rulman yatağı 400 × 500 mm / 15,7" × 19,7" paslanmaz çelik	400 × 500 mm platform için uygundur. Platformun kısa tarafına takılacak rulo
30253328	Rulman yatağı 500 × 650 mm / 19,7" × 25,6" paslanmaz çelik	500 × 650 mm platform için uygundur. Platformun kısa tarafına takılacak rulo
30253330	Rulman yatağı 600 × 800 mm / 23,6" × 31,5" paslanmaz çelik	600 × 800 mm platform için uygundur. Platformun kısa tarafına takılacak rulo
30253327	Rulman yatağı 400 × 500 mm / 15,7" × 19,7" paslanmaz çelik	400 × 500 mm platform için uygundur. Platformun uzun tarafına takılacak rulo
30253329	Rulman yatağı 500 × 650 mm / 19,7" × 25,6" paslanmaz çelik	500 × 650 mm platform için uygundur. Platformun uzun tarafına takılacak rulo
30253331	Rulman yatağı 600 × 800 mm / 23,6" × 31,5" paslanmaz çelik	600 × 800 mm platform için uygundur. Platformun kısa tarafına takılacak rulo
30640393	Rulman yatağı 400 × 500 mm / 15,7" × 19,7" paslanmaz çelik	Tehlikeli alan için uygundur
30640394	Rulman yatağı 500 × 650 mm / 19,7" × 25,6" paslanmaz çelik	Tehlikeli alan için uygundur
30640395	Rulman yatağı 600 × 800 mm / 23,6" × 31,5" paslanmaz çelik	Tehlikeli alan için uygundur

Ön Montaj Braketi

Ürün #	Tanımlama	Tanım
30676290	Ön montaj braketi	ICS4_9 ön montaj parçası için uygundur
30676291	Ön montaj braketi	ICS689 ön montaj parçası için uygundur

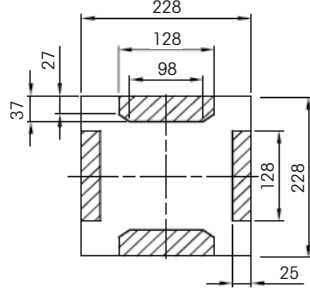
7 Montaj Seçenekleri

PBA639(x/xx) Sabit alet üzerine montajı destekler. Tartım platformunun delinmesi gerekiyorsa aşağıdaki delme düzenine uyun.

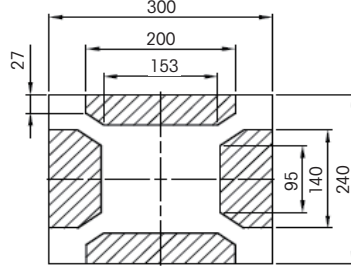
NOT: Taralı alanlar, tartım platformunun üzerinde delinmesine izin verilen yerlerdir.

[mm] cinsinden ölçüldü

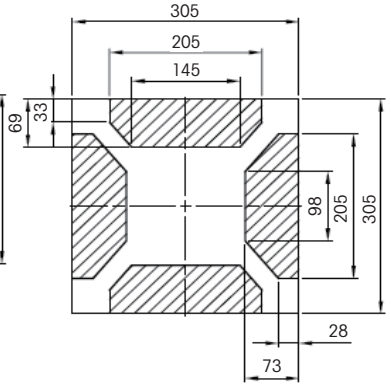
PBA639(x/xx)-QA



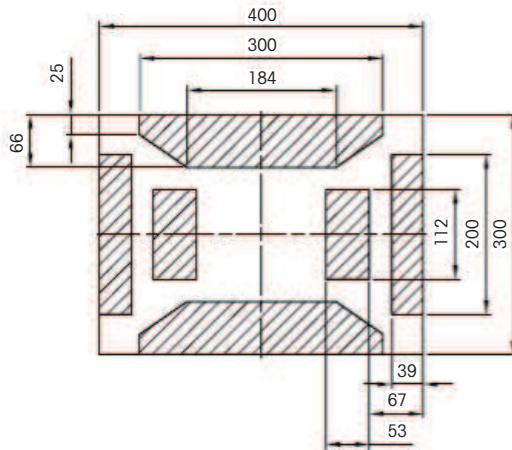
PBA639(x/xx)-A



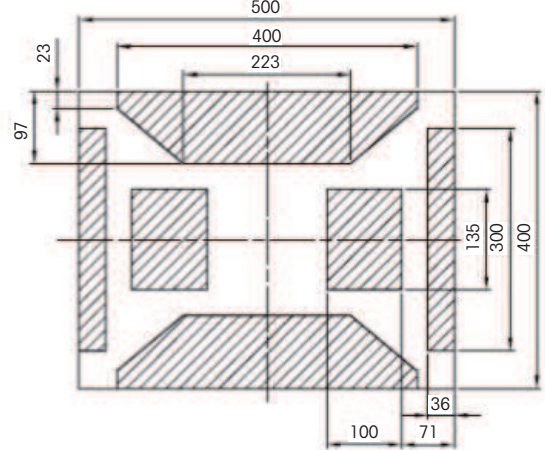
PBA639(x/xx)-QB



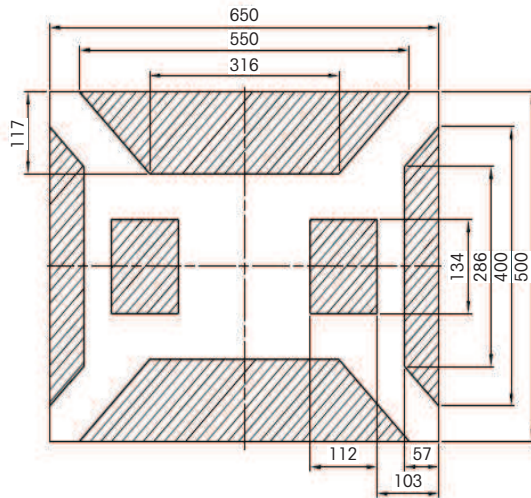
PBA639(x/xx)-BB



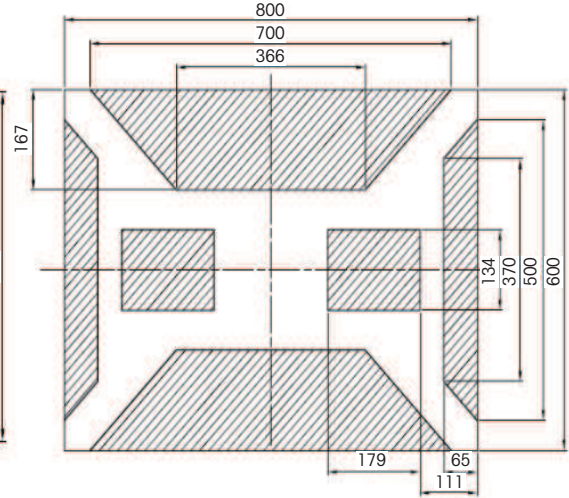
PBA639(x/xx)-B



PBA639(x/xx)-BC







PBA639(x/xx)-CC



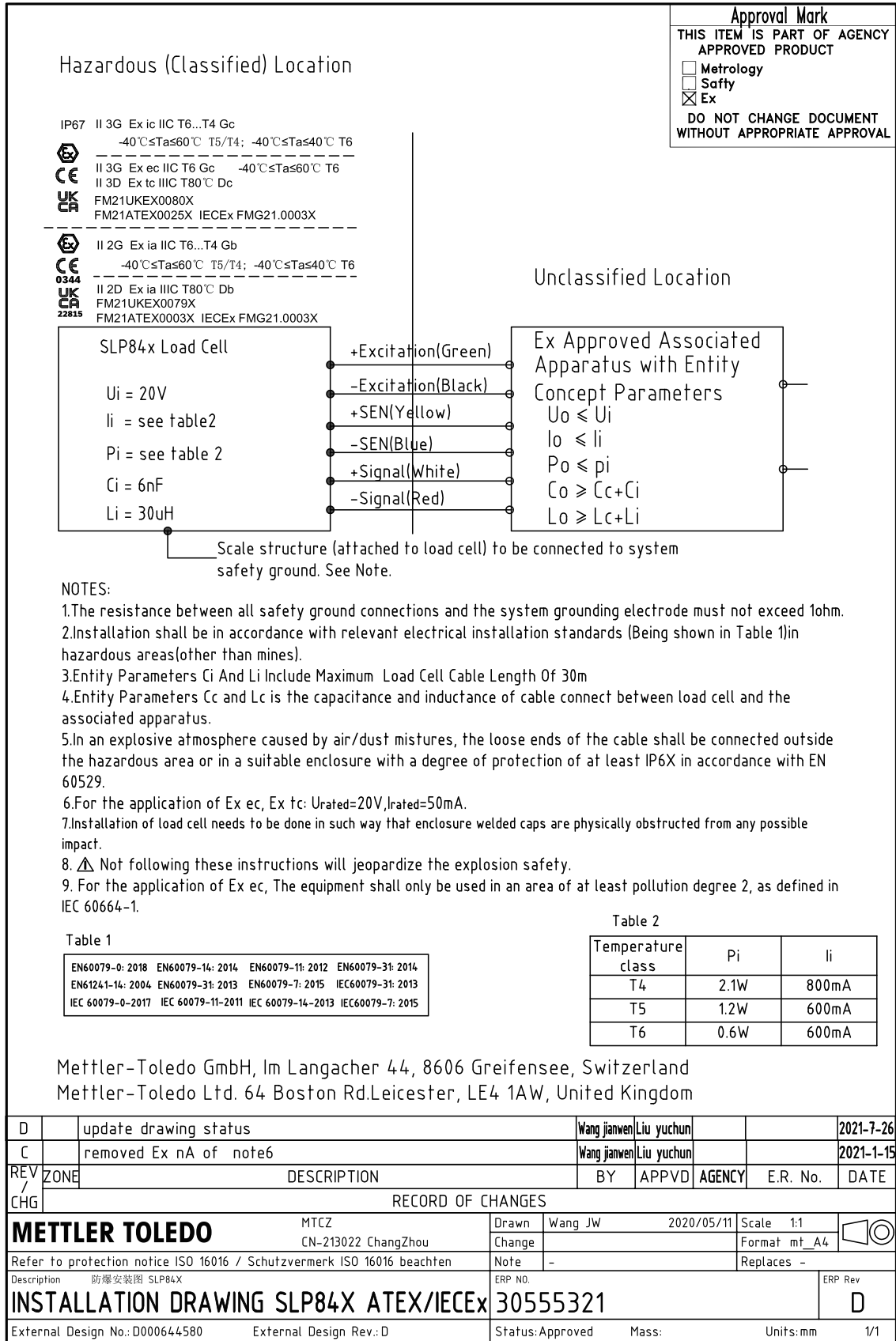
8 Ek

8.1 Etiket

<p>IS CL I,II,III DIV 1, GP ABCDEFG T6...T4 Class I, Zone 1, AEx ia IIC T6...T4 Gb Class II,III, Zone 21, AEx ia IIIC T80°C Db -40°C<Ta<60°C T5/T4; -40°C<Ta<40°C T6 FM21US0076X</p> <hr/> <p>IS CL I,II,III DIV 1, GP ABCDEFG T6...T4 Class I, Zone 1, Ex ia IIC T6...T4 Gb Class II,III, Zone 21, Ex ia IIIC T80°C Db -40°C<Ta<60°C T5/T4; -40°C<Ta<40°C T6 FM21CA0051X</p>		 <p>II 2G Ex ia IIC T6...T4 Gb II 2D Ex ia IIIC T80°C Db -40°C<Ta<60°C T5/T4 -40°C<Ta<40°C T6</p>
<p>Entity/NIFW for NonIncendive Field Wiring. Entity parameters are shown in drawing 30688074 Mettler-Toledo GmbH, Im Langacher 44, 8606 Greifensee, Switzerland</p>		

<p>NI CL I,II,III DIV 2 GP ABCDEFG T6 -40°C<Ta<60°C FM21US0076X</p> <hr/> <p>NI CL I,II,III DIV 2 GP ABCDEFG T6...T4 -40°C<Ta<60°C Class I, Zone 2, Ex ec IIC T6 Gc; Class II,III, Zone 22, Ex tc IIIC T80°C Dc FM21CA0051X</p>		 <p>II 3G Ex ic IIC T6...T4 Gc -40°C<Ta<60°C T5/T4 -40°C<Ta<40°C T6</p> <hr/> <p>II 3G Ex ec IIC T6 Gc U_{rated}=20V II 3D Ex tc IIIC T80°C Dc I_{rated}=50mA -40°C<Ta<60°C</p>
<p>Entity/NIFW for NonIncendive Field Wiring. Entity parameters are shown in drawing 30688074 Mettler-Toledo GmbH, Im Langacher 44, 8606 Greifensee, Switzerland</p>		

8.3 Kurulum çizimi



To protect your product's future:
METTLER TOLEDO Service assures
the quality, measuring accuracy and
preservation of value of this product
for years to come.

Please request full details about our
attractive terms of service.

www.mt.com

For more information

Mettler-Toledo GmbH

Im Langacher 44
8606 Greifensee, Switzerland
www.mt.com/contacts

Subject to technical changes.
© 08/2022 METTLER TOLEDO. All rights reserved.
30704770D

